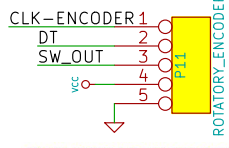
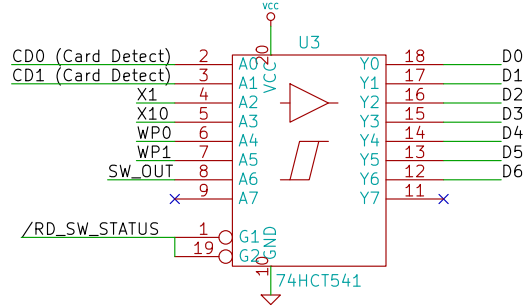
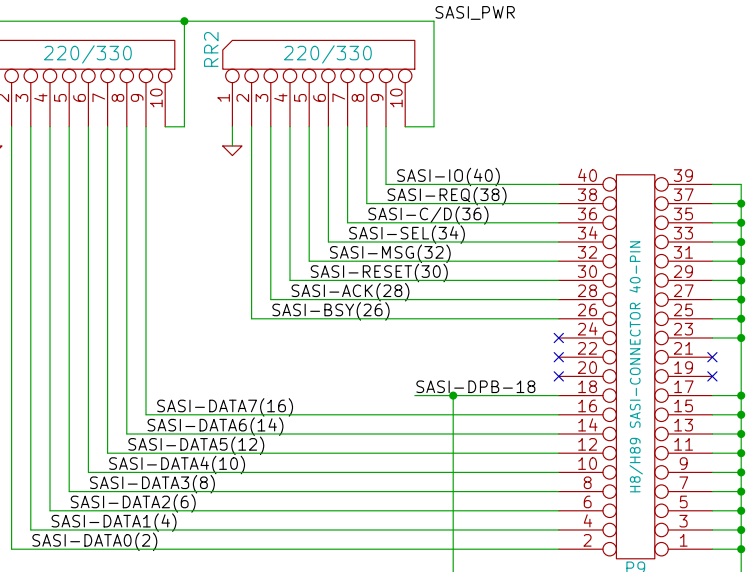


Z67-SD-SCSI CONTROLLER



When the knob has been moved one position, CLK goes from HIGH to LOW. When that happens, the direction is determined by the state of the DT pin. If DT is high, add one or if DT is low, subtract one from VDISK variable.



Note: DB9 connector uses a cable to connect to the 5 pin header

Note: Use P12 connector to program Micro-controller

Note: Cannot CLK both SD cards even if disabled as it will internally execute the command causing failures. Each SD card needs its own separate clock to work fine.

Note: Block surge current when inserting/removing SD card to avoid brown out detector condition.

FOR H8/H89 H67 CONTROLLER		
KOYADO.COM		
File: Z67-SD-HARD-DRIVE.sch		
Sheet: /		
Title: Z67-SD HARD DRIVE		
Size: B	Date: 23 Jul 2022	Rev: 2.0
KiCad E.D.A.		Id: 1/1