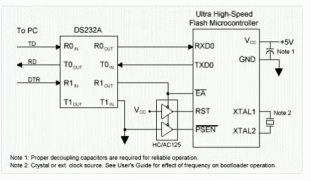


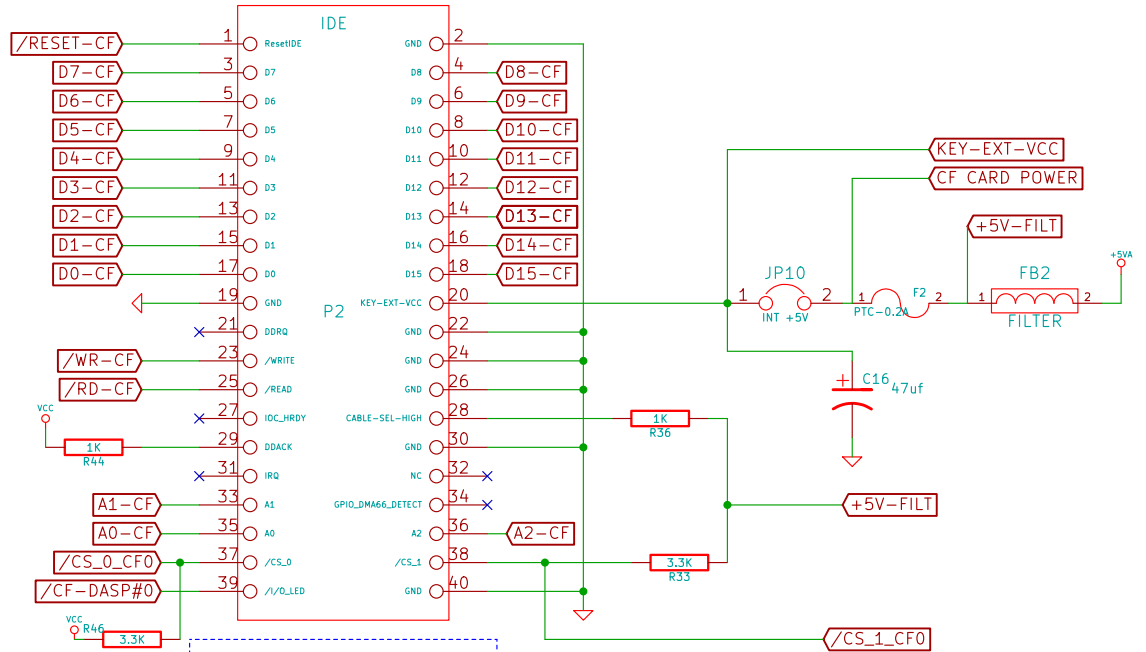
EXT DB9
 TX 1, 2, 3, 4, 5, 6, 7, 8, 9, 10, 11, 12, 13, 14, 15, 16, 17, 18, 19, 20
 RX 2, 3, 4, 5, 6, 7, 8, 9, 10, 11, 12, 13, 14, 15, 16, 17, 18, 19, 20
 DSR-4 2, 3, 4, 5, 6, 7, 8, 9, 10, 11, 12, 13, 14, 15, 16, 17, 18, 19, 20
 DTR-6 2, 3, 4, 5, 6, 7, 8, 9, 10, 11, 12, 13, 14, 15, 16, 17, 18, 19, 20
 RTS 2, 3, 4, 5, 6, 7, 8, 9, 10, 11, 12, 13, 14, 15, 16, 17, 18, 19, 20
 PRG 2, 3, 4, 5, 6, 7, 8, 9, 10, 11, 12, 13, 14, 15, 16, 17, 18, 19, 20
 DTR 2, 3, 4, 5, 6, 7, 8, 9, 10, 11, 12, 13, 14, 15, 16, 17, 18, 19, 20

Note: A RS232 10 pin connector to DB9 male ribbon cable.

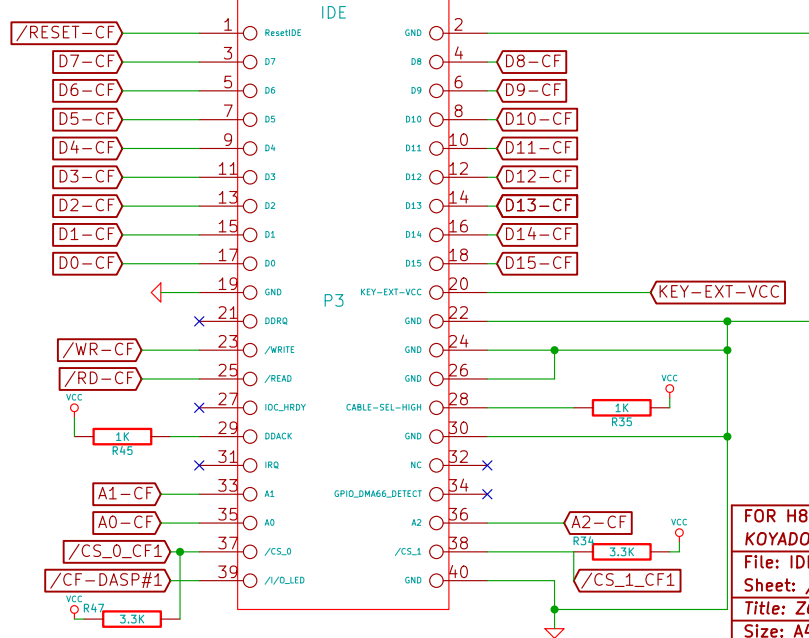
When the knob has been moved one position, CLK goes from HIGH to LOW. When that happens, the direction is determined by the state of the DT pin. If DT is high, add one or if DT is low, subtract one from VDISK variable.



Note: Use only Single CF adapter



Note: Use only Single CF adapter

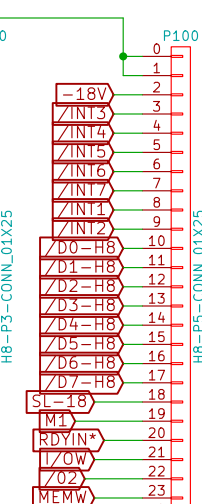
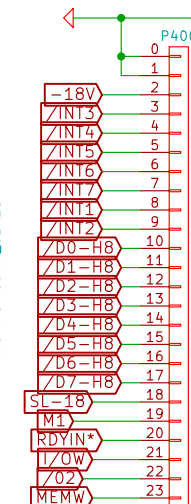
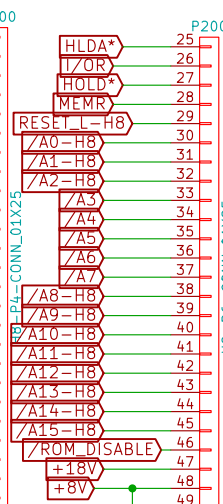
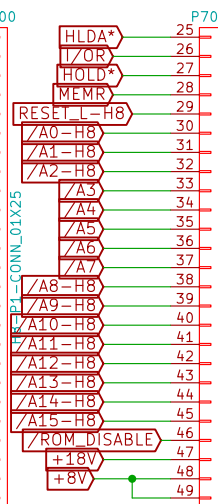
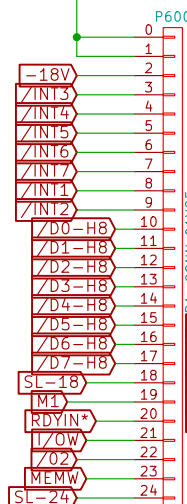
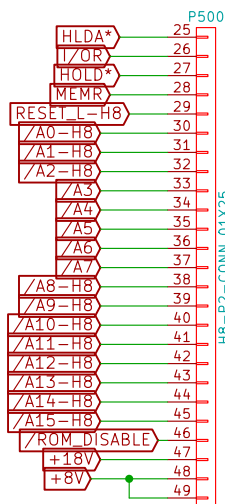
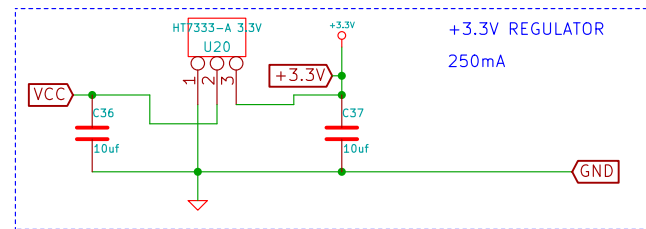
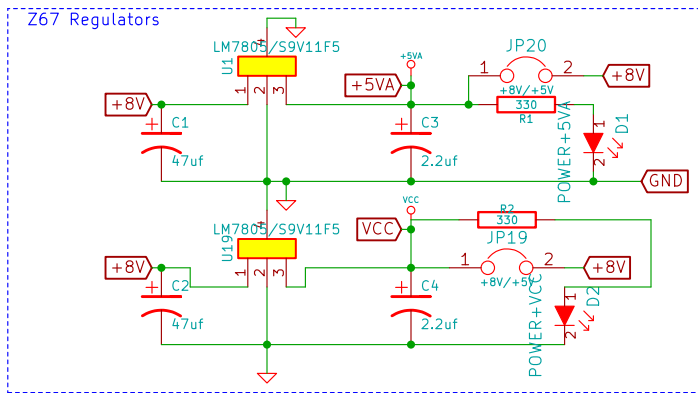
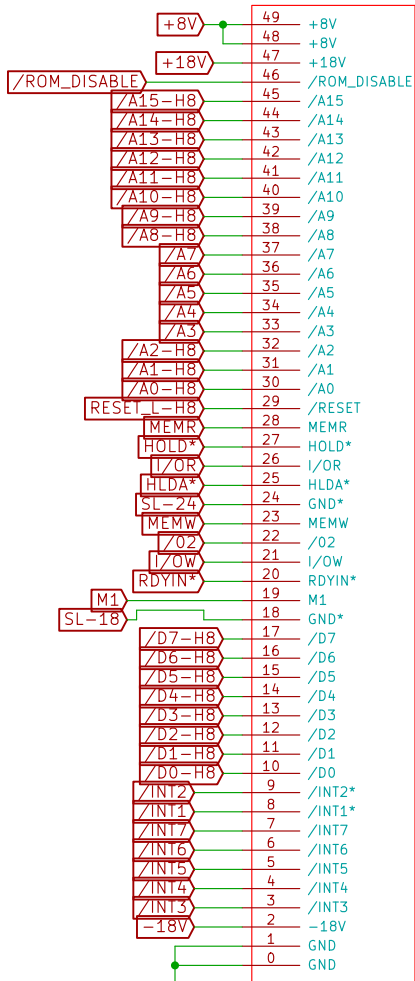


IDE Connector Pinout

Signal Name	Pin #	Pin #	Signal Name
Host IDE	1	2	Ground
Host Data 7	3	4	Host Data 9
Host Data 6	5	6	Host Data 8
Host Data 5	7	8	Host Data 10
Host Data 4	9	10	Host Data 11
Host Data 3	11	12	Host Data 12
Host Data 2	13	14	Host Data 13
Host Data 1	15	16	Host Data 14
Host Data 0	17	18	Host Data 15
Ground	19	20	Key
DDRQ	21	22	Ground
IO Write	23	24	Ground
IO Read	25	26	Ground
IOCHRDY	27	28	Cable select pull-up
DDACK	29	30	Ground
IRQ	31	32	No Connect
Addr 1	33	34	GPIO_DMA66_Detect
Addr 0	35	36	Addr 2
Chip Select 1P (15)	37	38	Chip Select 3P (05)
Activity	39	40	Ground

FOR H8-H89 H67 CONTROLLER
 KOYADO.COM
 File: IDE-40-PIN.sch
 Sheet: /IDE-40-PIN/
 Title: Z67-CF HARD DRIVE

Size: A4	Date: 21 aug 2022	Rev: 1.0
KiCad E.D.A.		Id: 2/3



FOR H8-H89 H67 CONTROLLER

KOYADO.COM

File: POWER-SUPPLYsch.sch

Sheet: /POWER SUPPLY/

Title: Z67-CF HARD DRIVE

Size: A Date: 21 aug 2022

Rev: 1.0

KiCad E.D.A.

Id: 3/3