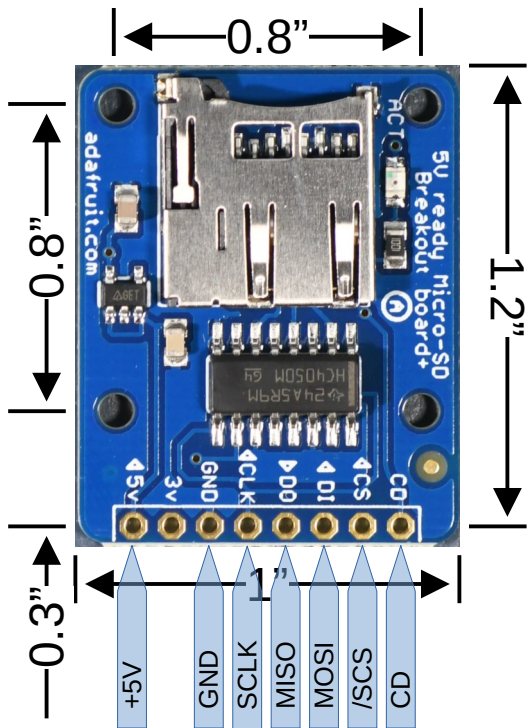
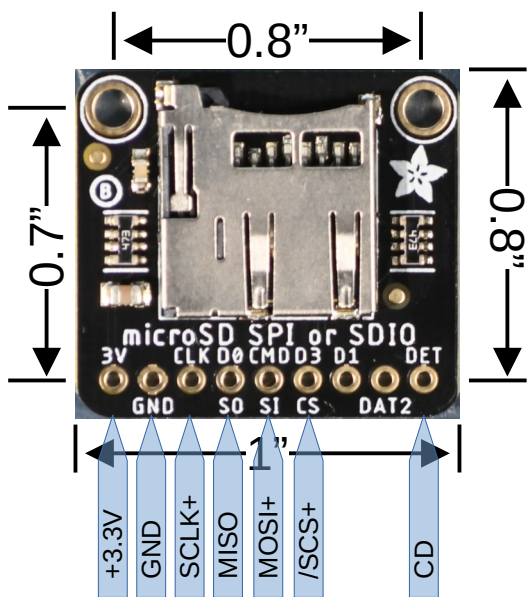


Adafruit P254 (<http://adafru.it/254>)



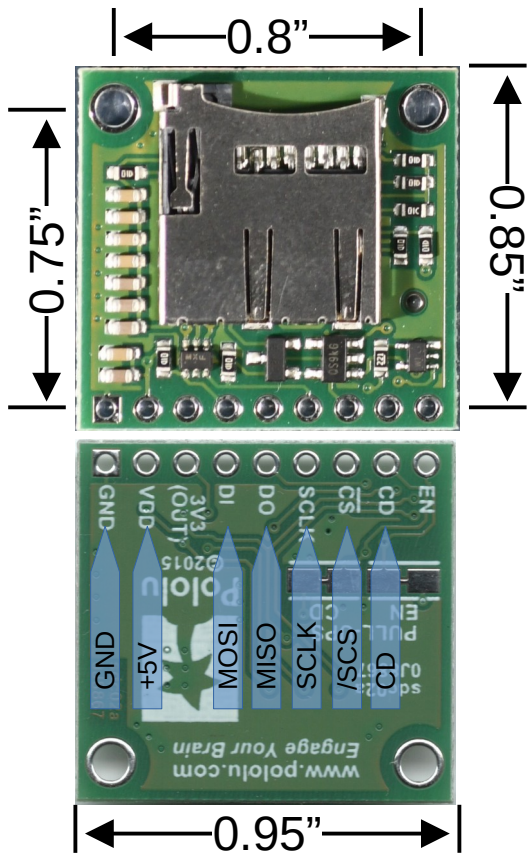
- Spring-loaded socket (push-in, push-out)
- Activity LED

Adafruit P4682 (<http://adafru.it/4682>)



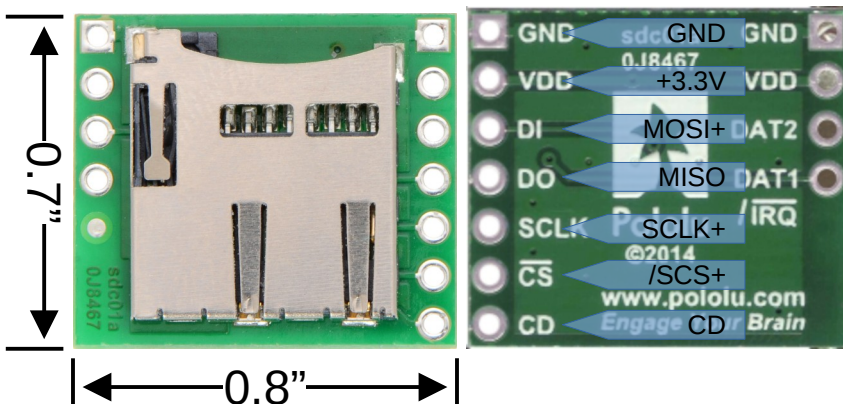
- Spring-loaded socket (push-in, push-out)
- Pull-up on CD (4.7K)
- 3.3V only!

Pololu #2587 (<https://www.pololu.com/product/2587>)



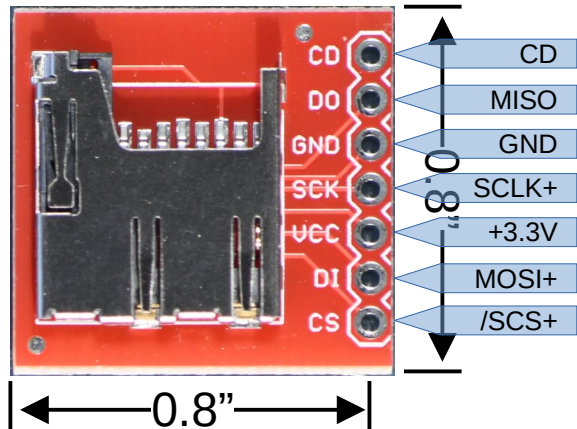
- Spring-loaded socket (push-in, push-out)
- Pull-up on CD
- EN/disable of 3.3V reg

Pololu #2597 (<https://www.pololu.com/product/2597>)



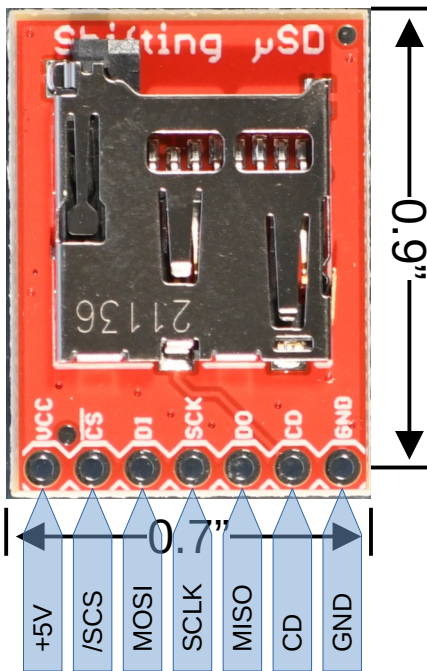
- Spring-loaded socket (push-in, push-out)
- 3.3V only!

SparkFun BOB-00544 (<https://www.sparkfun.com/products/544>)



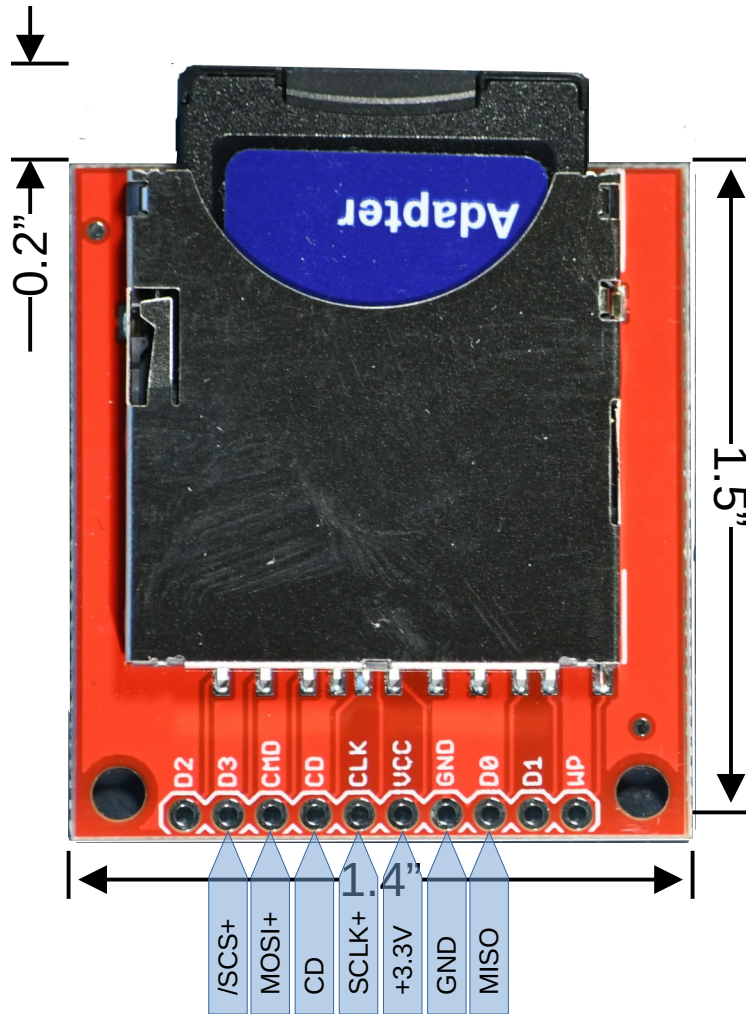
- Spring-loaded socket (push-in, push-out)
- 3.3V only!

SparkFun DEV-13743 (<https://www.sparkfun.com/products/13743>)



- Spring-loaded socket (push-in, push-out)
- Components on back!
- Pull-up on CD

SparkFun BOB-12941 (<https://www.sparkfun.com/products/12941>)



- Spring-loaded socket (push-in, push-out)
- 3.3V only!