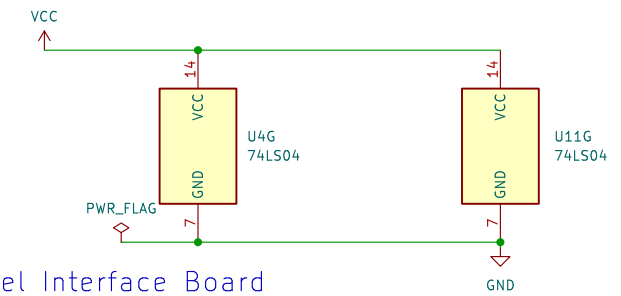
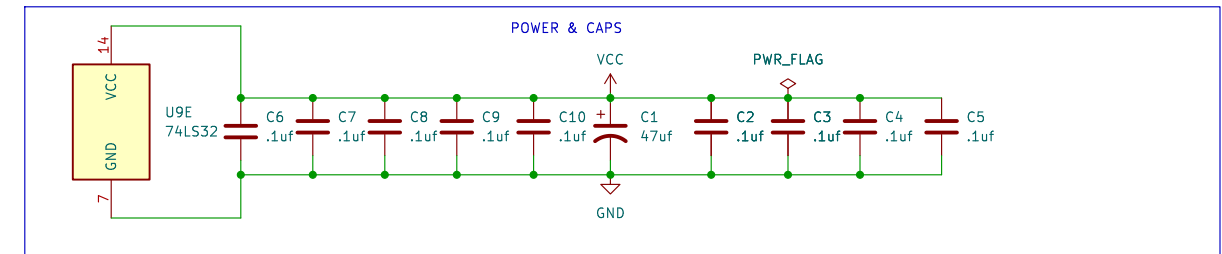
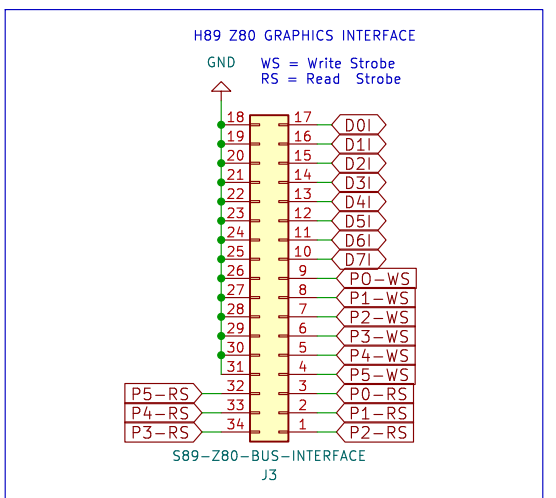
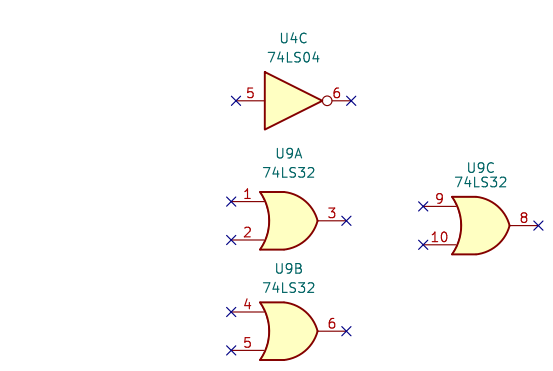
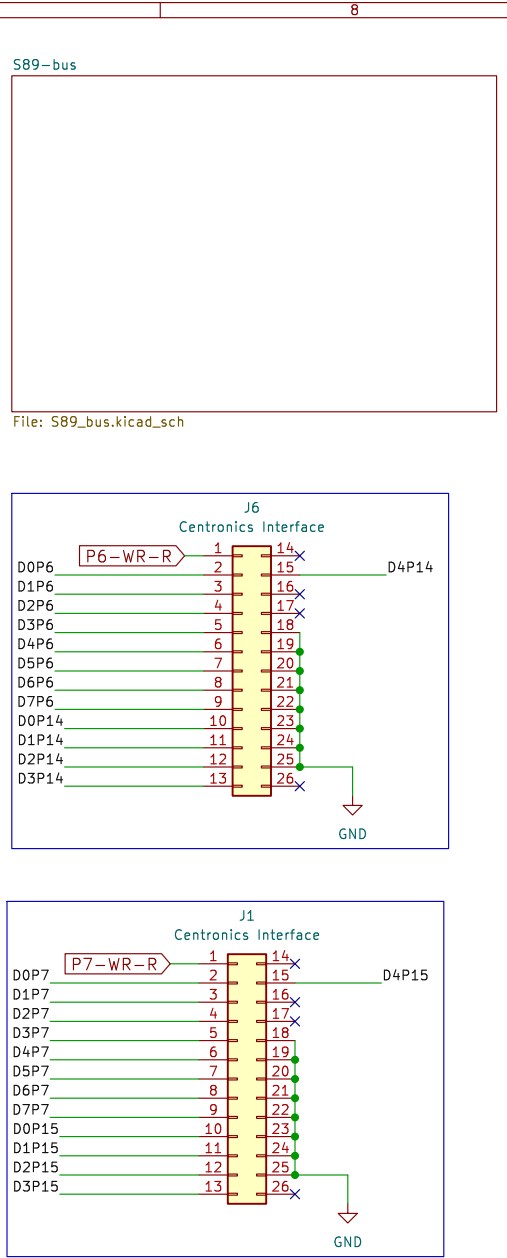
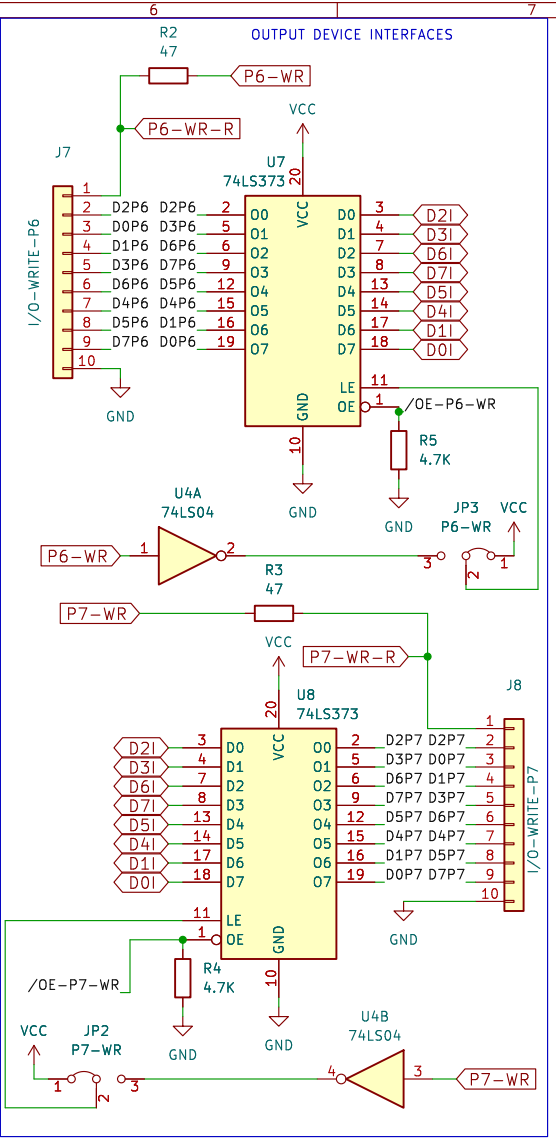
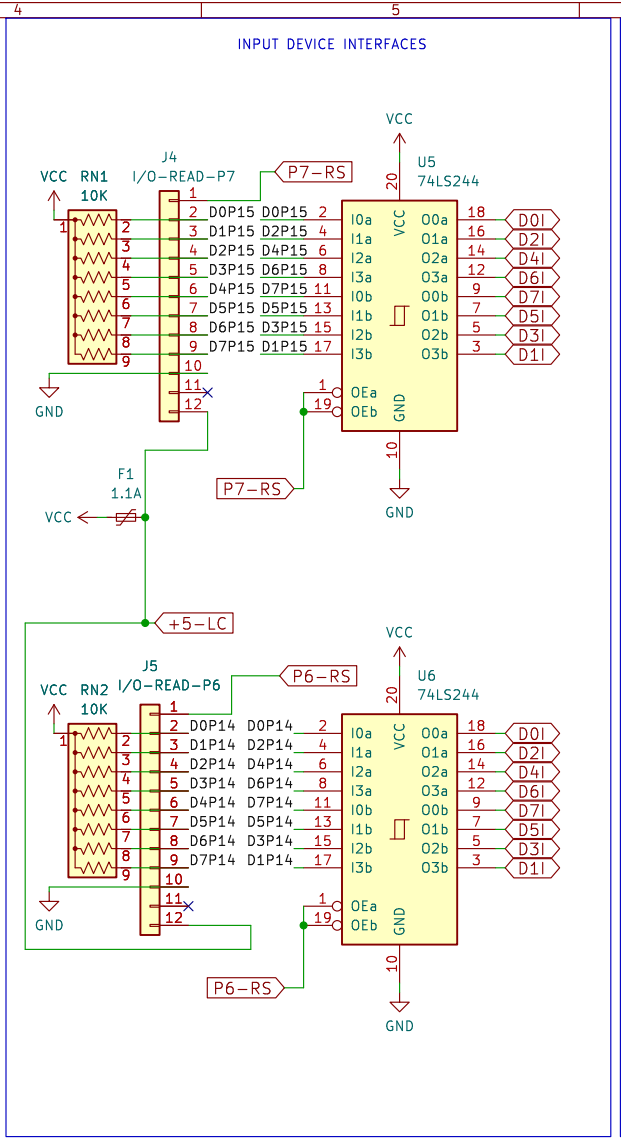
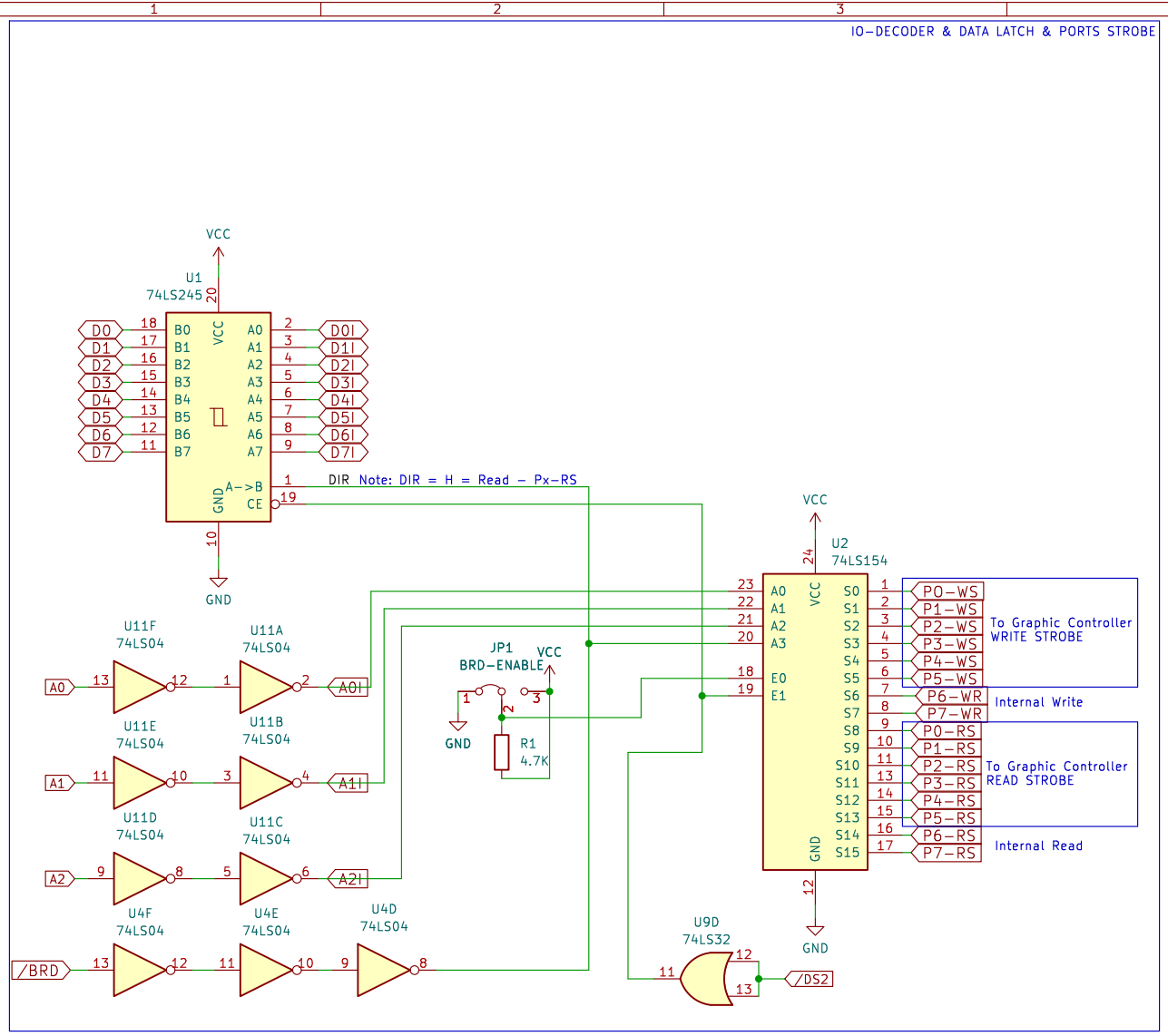


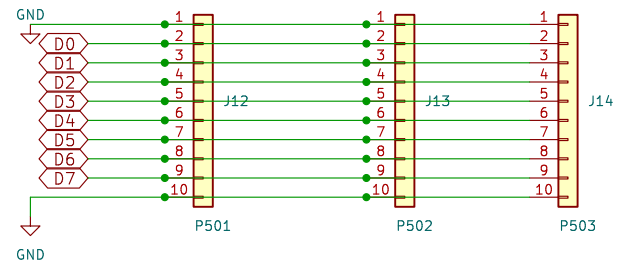
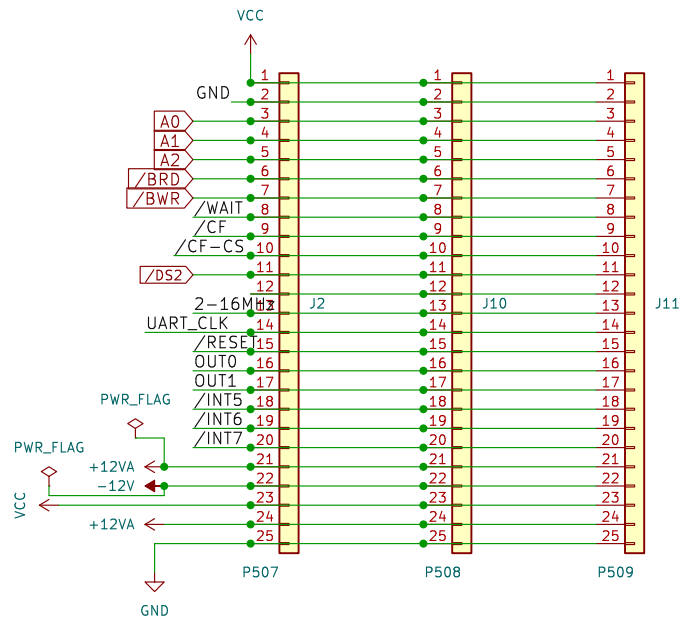
Universal Parallel Interface Board



S89-P10-UPI

Universal Parallel Interface Board

KOYADO.COM		
Sheet: /		
File: S89-P10-UPI.kicad_sch		
Title: Universal Parallel Interface Board		
Size: B	Date: 2025-12-17	Rev: Rev 1.0
KiCad E.D.A.	kicad 7.0.10	Id: 1/2



KOYADO.COM

Sheet: /S89-bus/
File: S89_bus.kicad_sch

Title: H89-16KB-64KB-BOARD

Size: A Date: 2025-09-27
KiCad E.D.A. kicad 7.0.10

Rev: V1.0
Id: 2/2