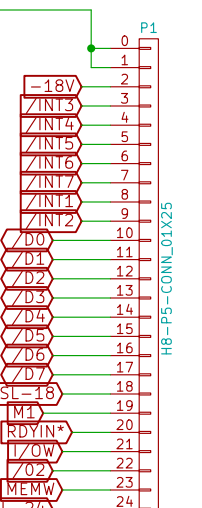
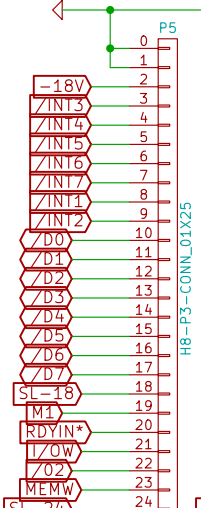
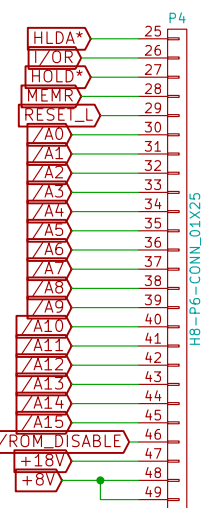
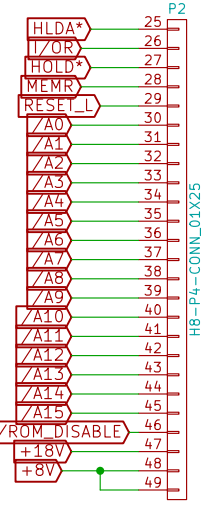
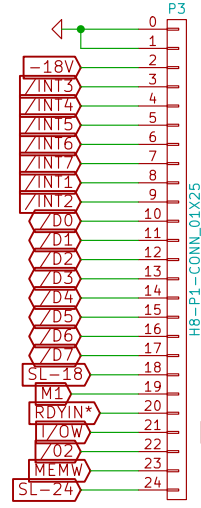
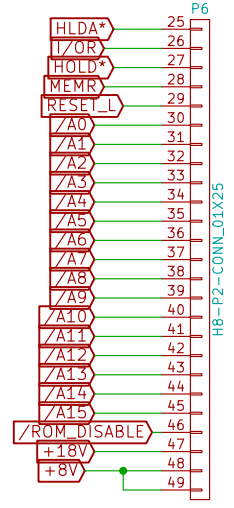
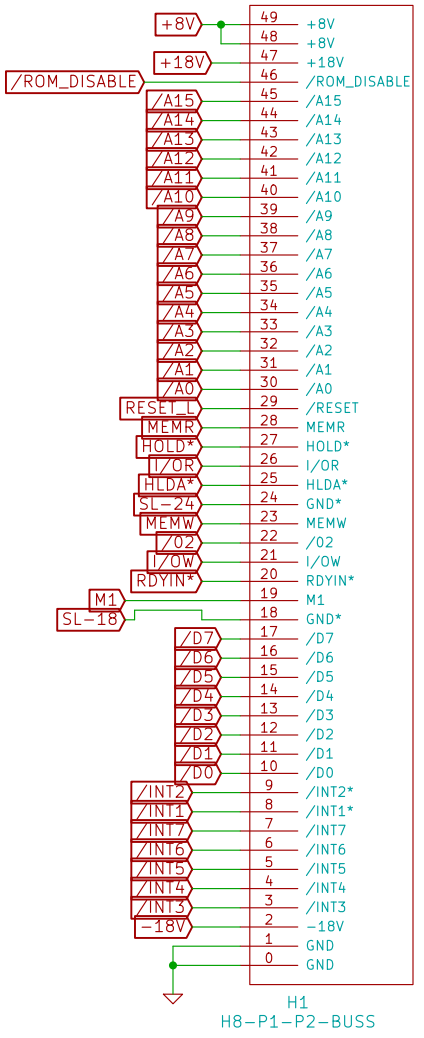
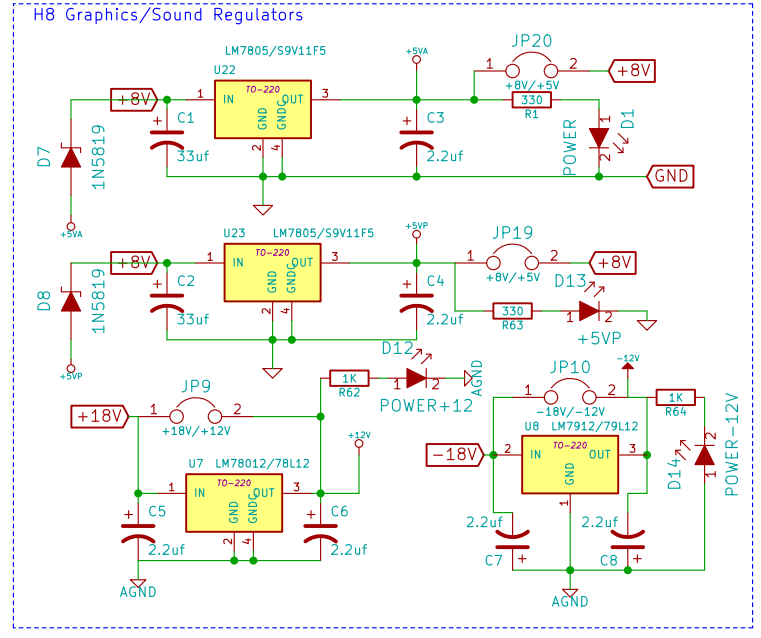
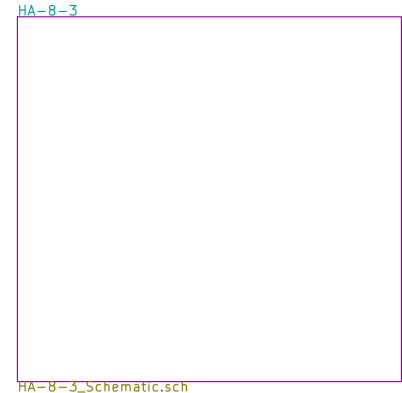
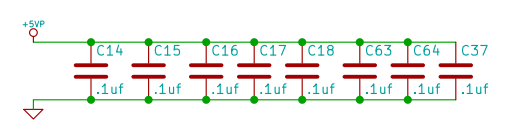
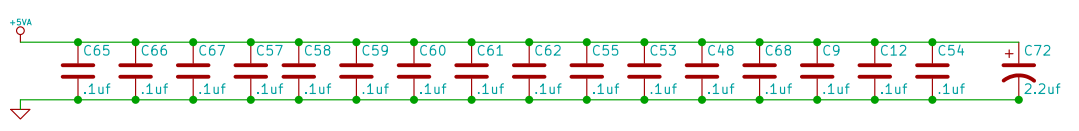
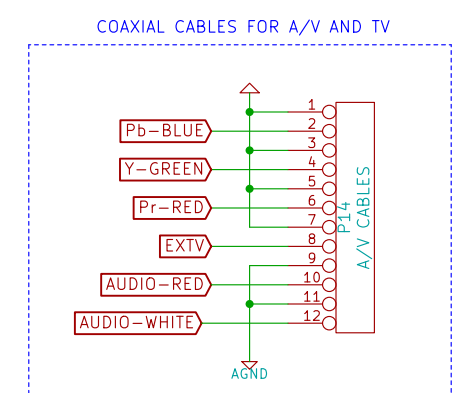
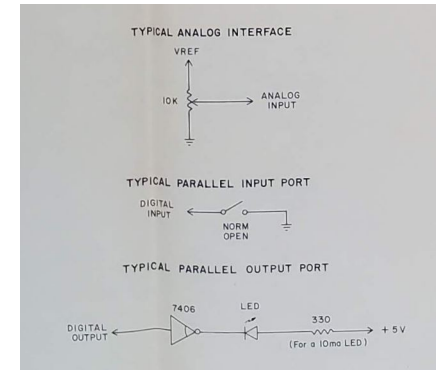
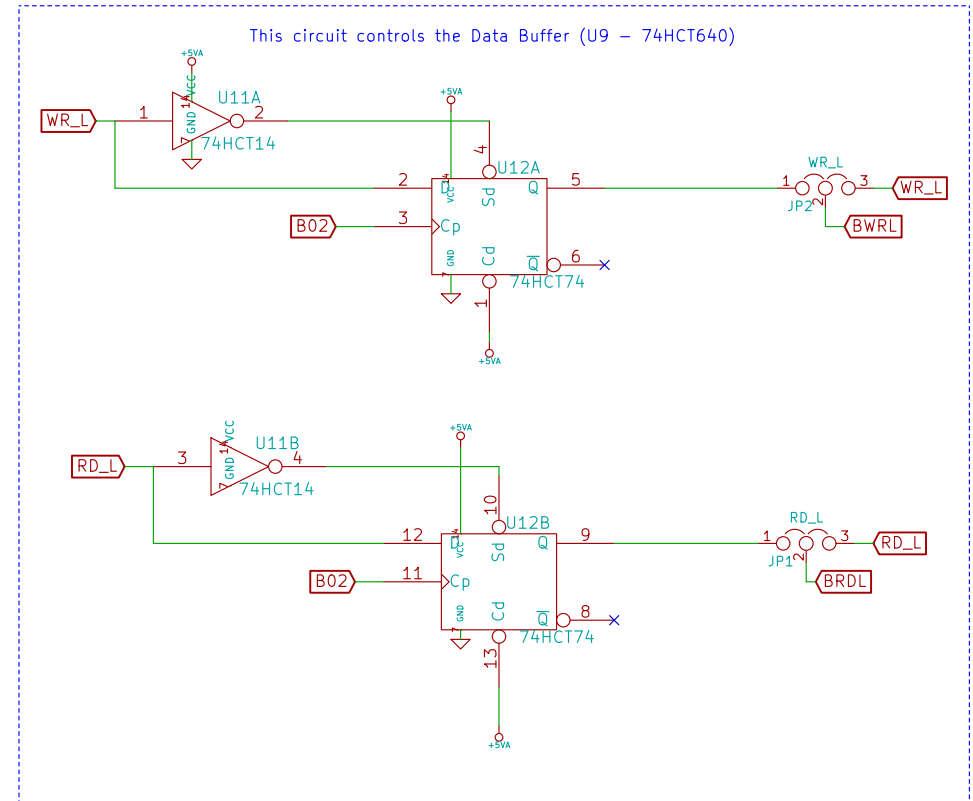
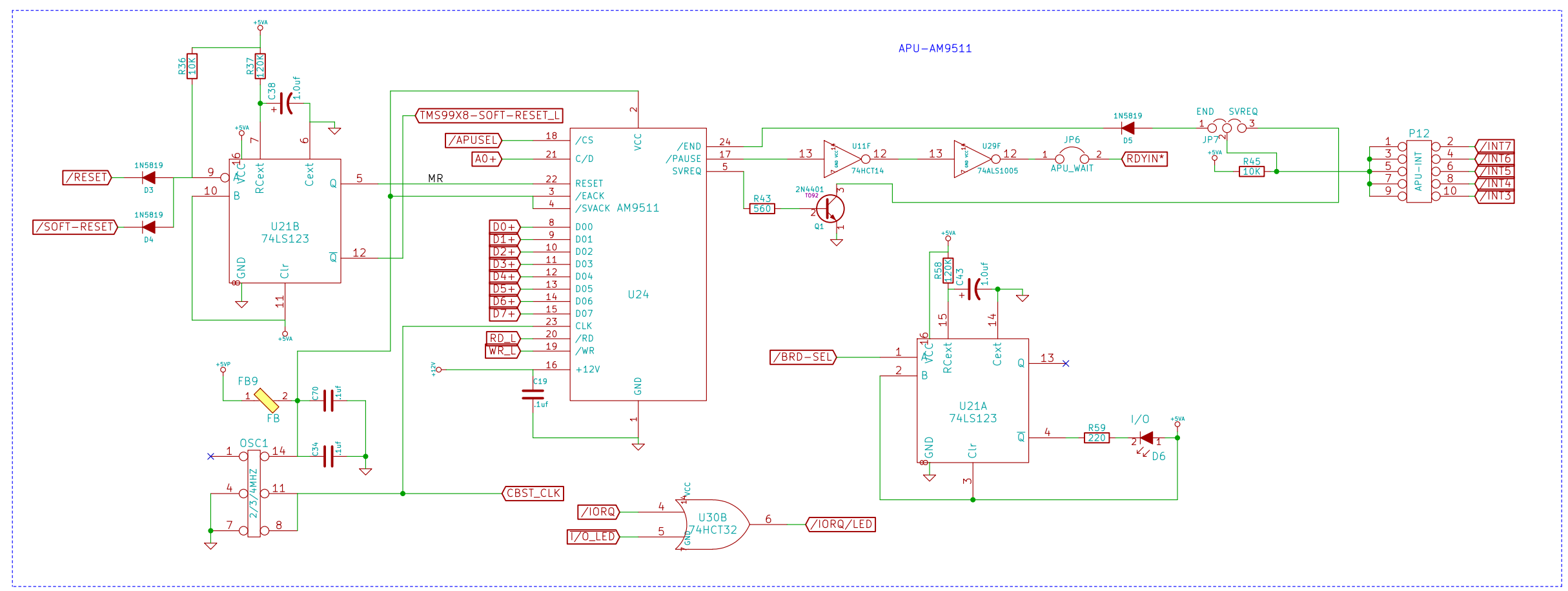
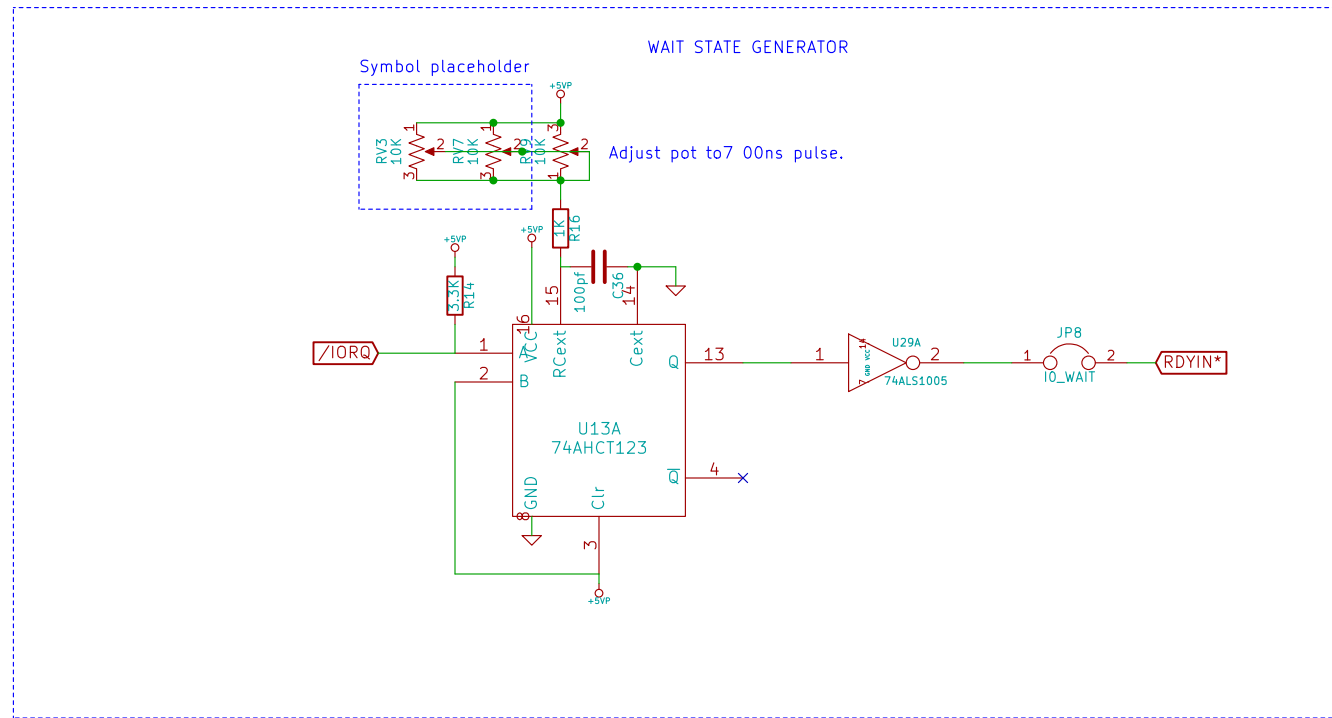
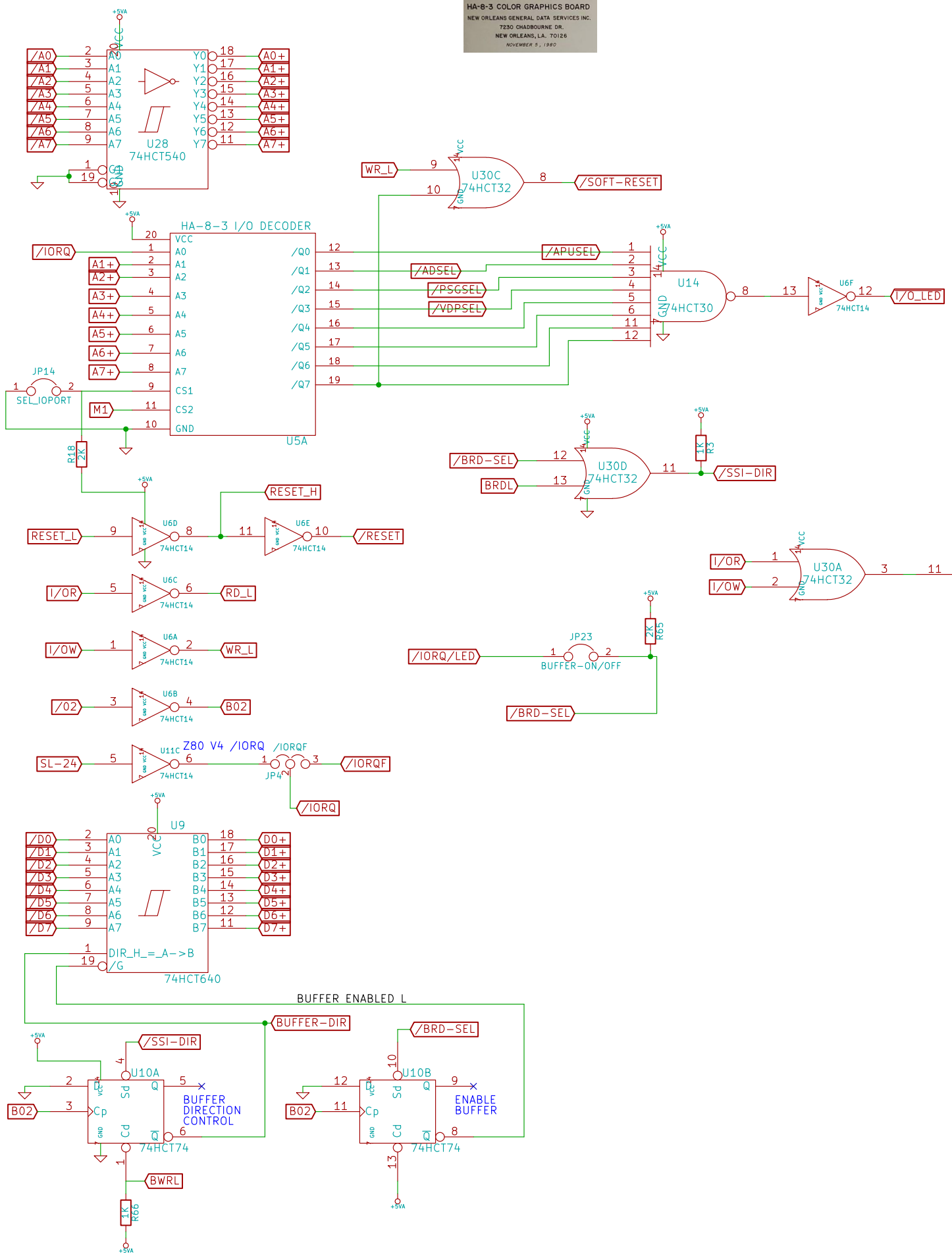
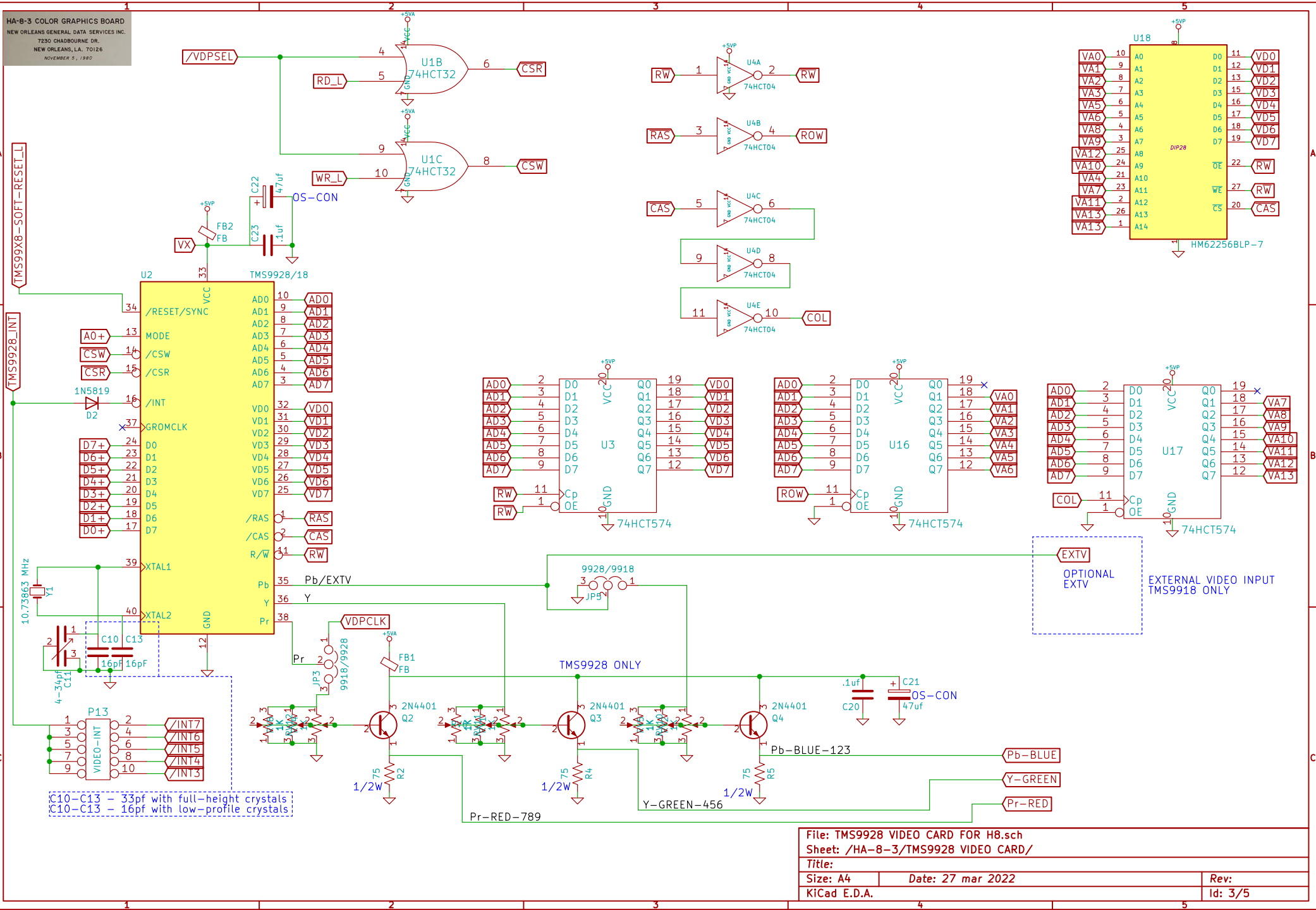


HA-8-3 COLOR GRAPHICS BOARD  
 NEW ORLEANS GENERAL DATA SERVICES INC.  
 7230 CHADBOURNE DR.  
 NEW ORLEANS, LA. 70126  
 NOVEMBER 5, 1980

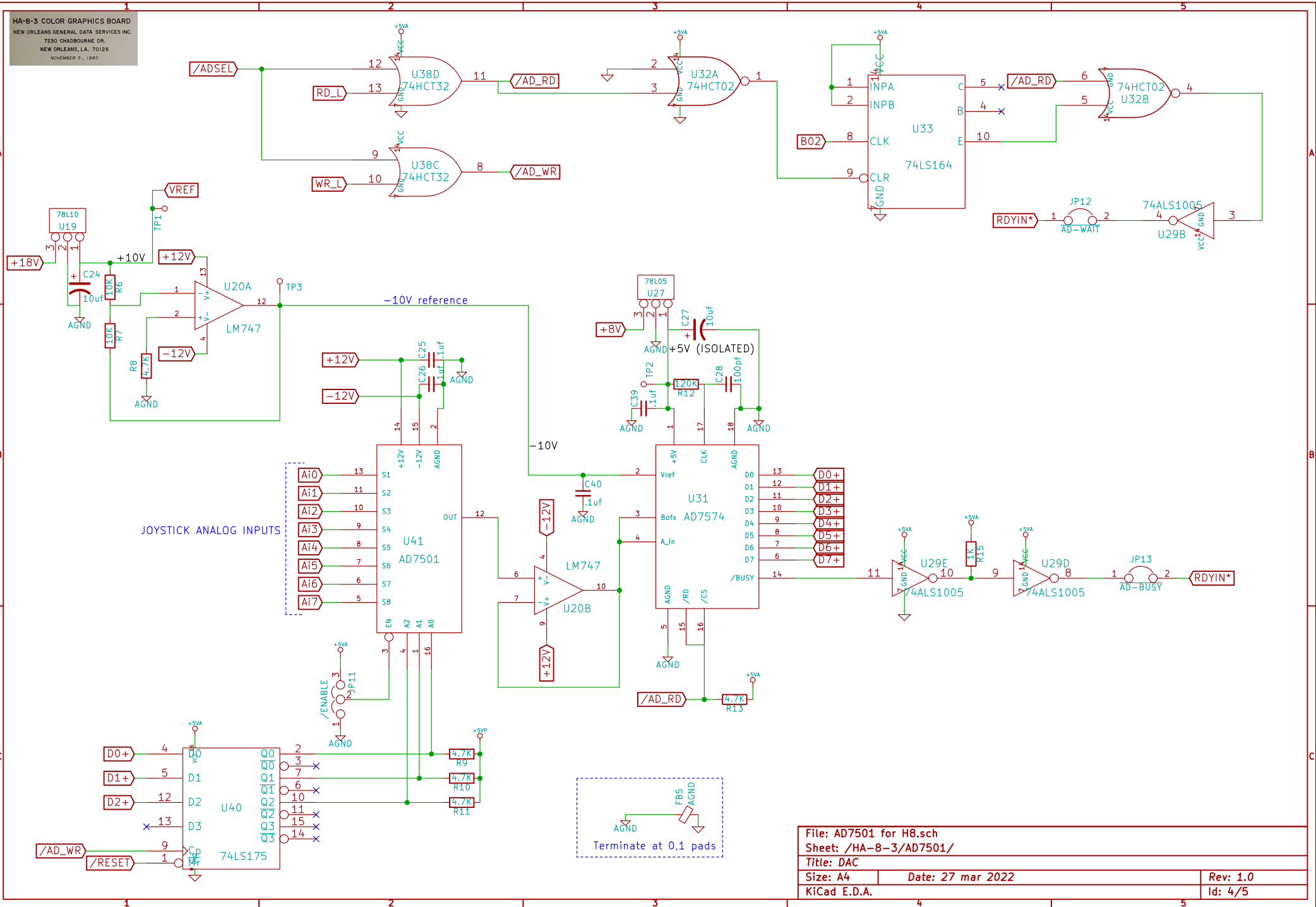






C10-C13 - 33pf with full-height crystals  
 C10-C13 - 16pf with low-profile crystals

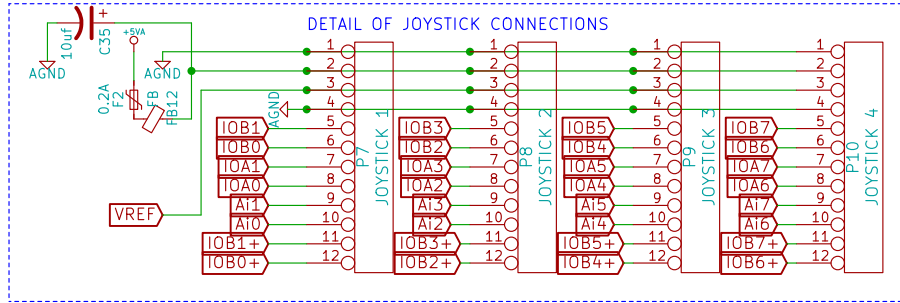
HA-8-3 COLOR GRAPHICS BOARD  
 NEW ORLEANS GENERAL DATA SERVICES INC.  
 7230 CHADBOURNE DR.  
 NEW ORLEANS, LA. 70126  
 NOVEMBER 5, 1980



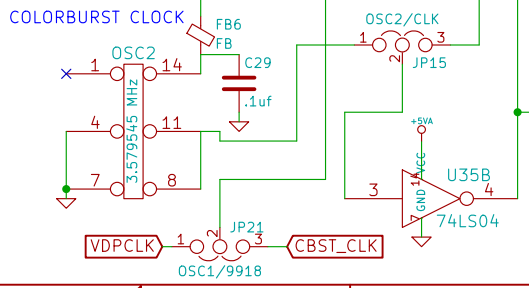
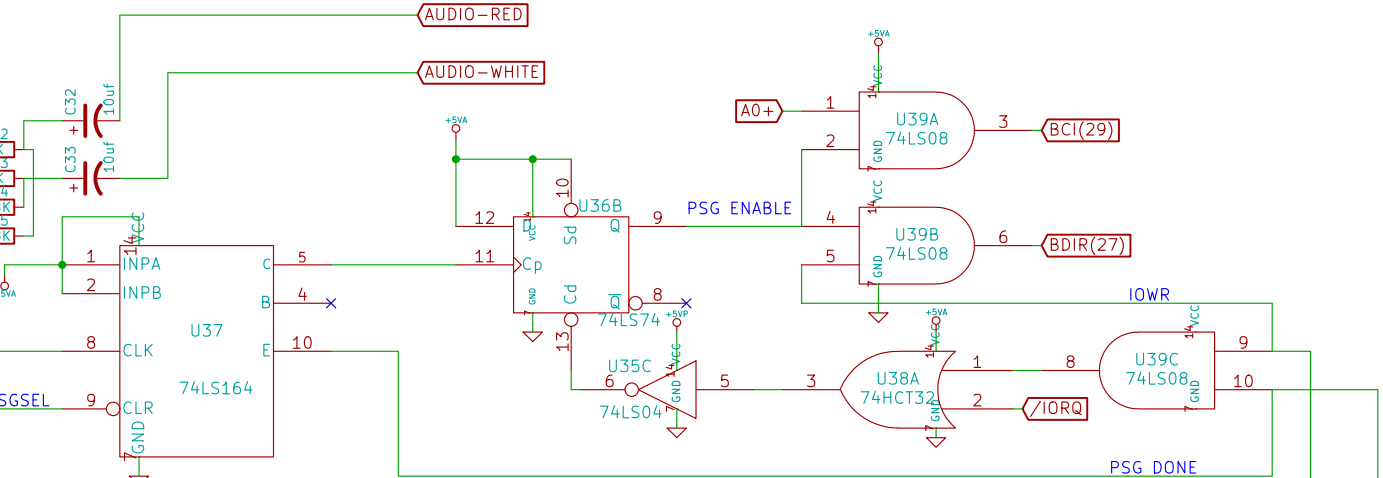
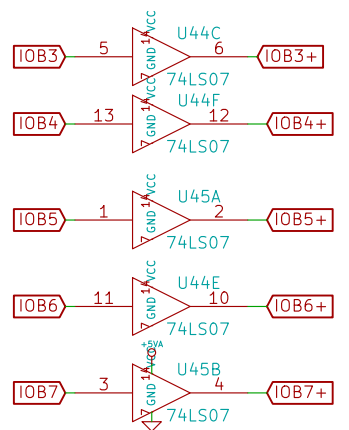
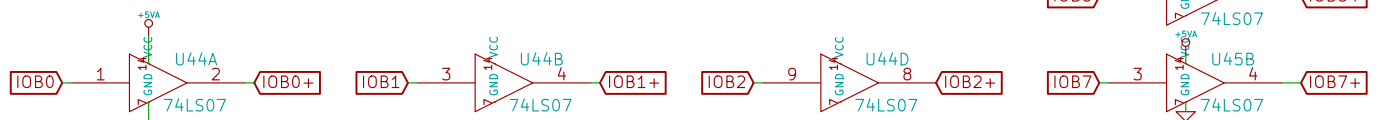
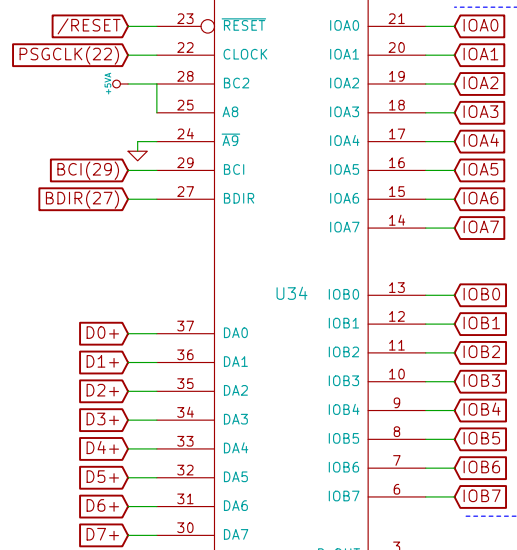
File: AD7501 for H8.sch  
 Sheet: /HA-8-3/AD7501/  
 Title: DAC  
 Size: A4 Date: 27 mar 2022 Rev: 1.0  
 KiCad E.D.A. Id: 4/5

HA-8-3 COLOR GRAPHICS BOARD  
 NEW ORLEANS GENERAL DATA SERVICES INC.  
 7230 CHADBOURNE DR.  
 NEW ORLEANS, LA. 70126  
 NOVEMBER 5, 1980

AY-3-8910



JOYSTICK DIGITAL INPUTS/OUTPUTS



File: AY-3-8910_AUDIO.sch		
Sheet: /HA-8-3/AY-3-8910 AUDIO/		
Title:		
Size: A4	Date: 27 mar 2022	Rev:
KiCad E.D.A.		Id: 5/5