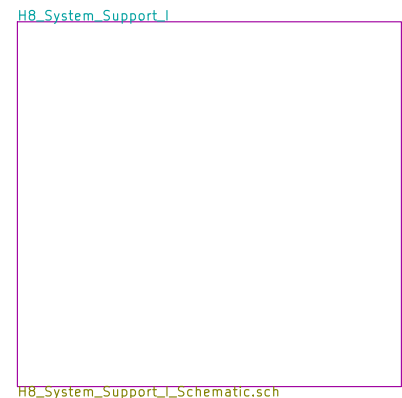
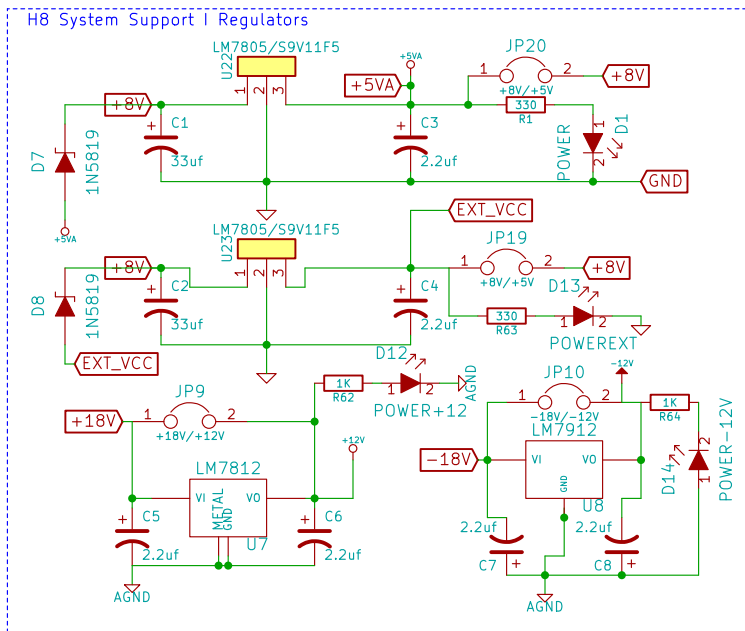


H1  
H8-P1-P2-BUSS



H8\_System\_Support\_I\_Schematic.sch



