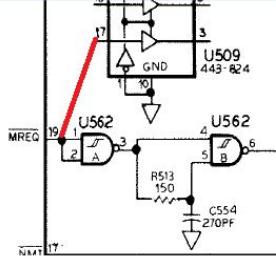
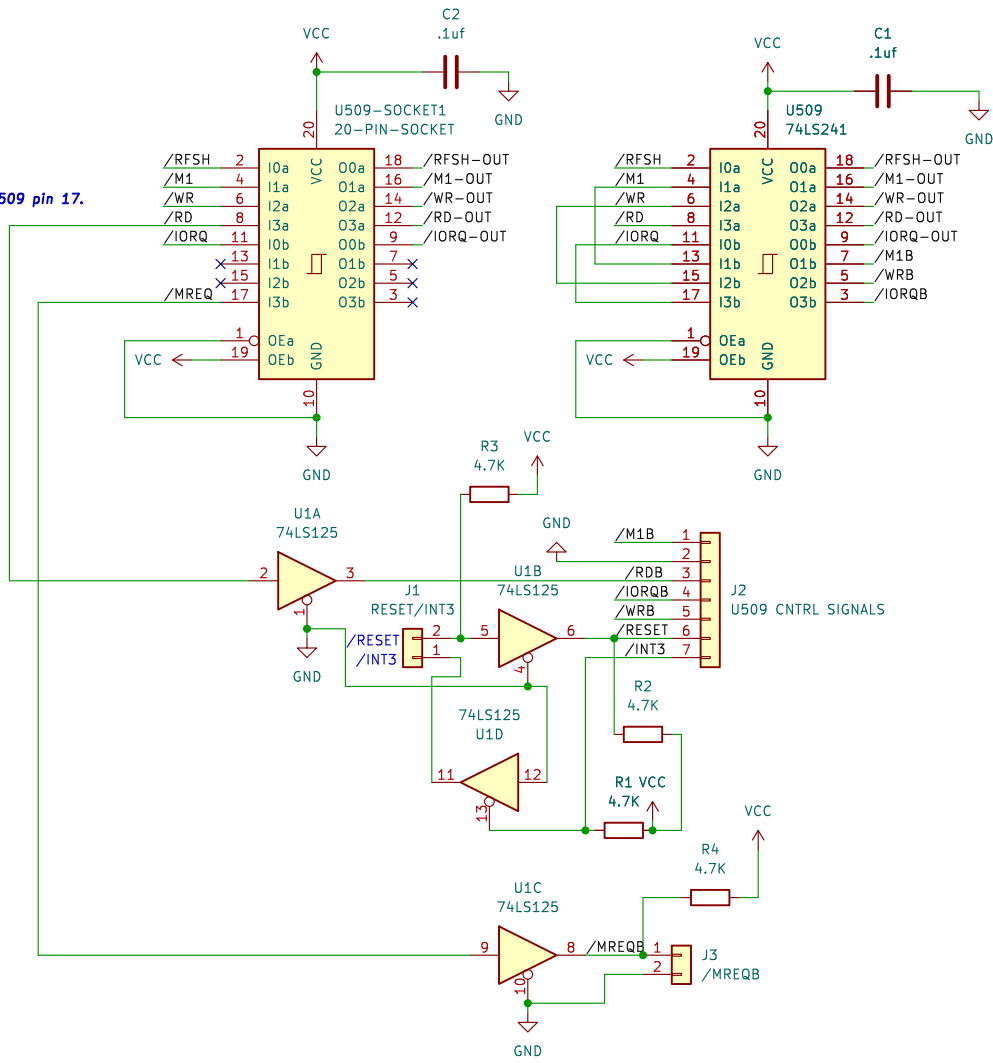
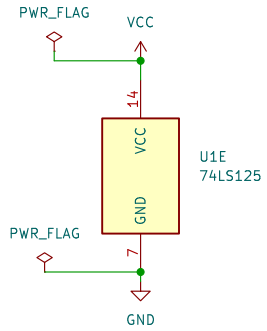


Update: Solder cable on side 2 between U562 pin 1 and U509 pin 17.



Note: On side 2, solder a cable between pin 19 and pin 17.



KOYADO.COM

Sheet: /
File: H89-U509-BUFFER-MODULE.kicad_sch

Title: H89-U509-BUFFER

Size: A Date: 2025-02-17
KiCad E.D.A. kicad 7.0.10

Rev: V1.2
Id: 1/1