

RTC

RTC.sch

H89_SERIAL_V1.0

H89_SERIAL_V1.0.sch

H8-SERIAL-COMMS

H8-SERIAL-COMMS.sch

H8-IODECODER-BUS Schematics

H8-IODECODER-BUS Schematics.sch

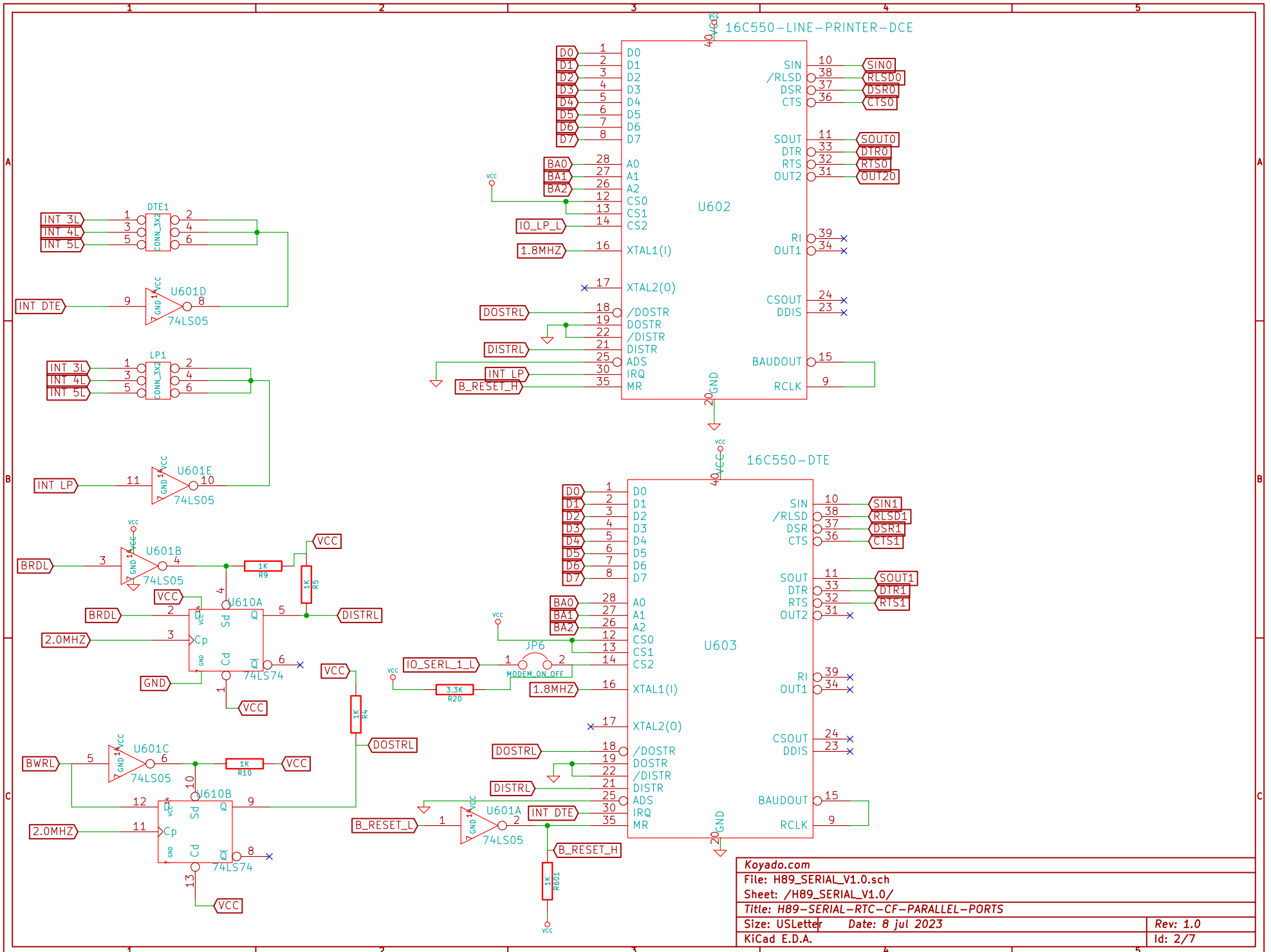
82C55_PARALLEL-PORT.

82C55_PARALLEL-PORT.sch

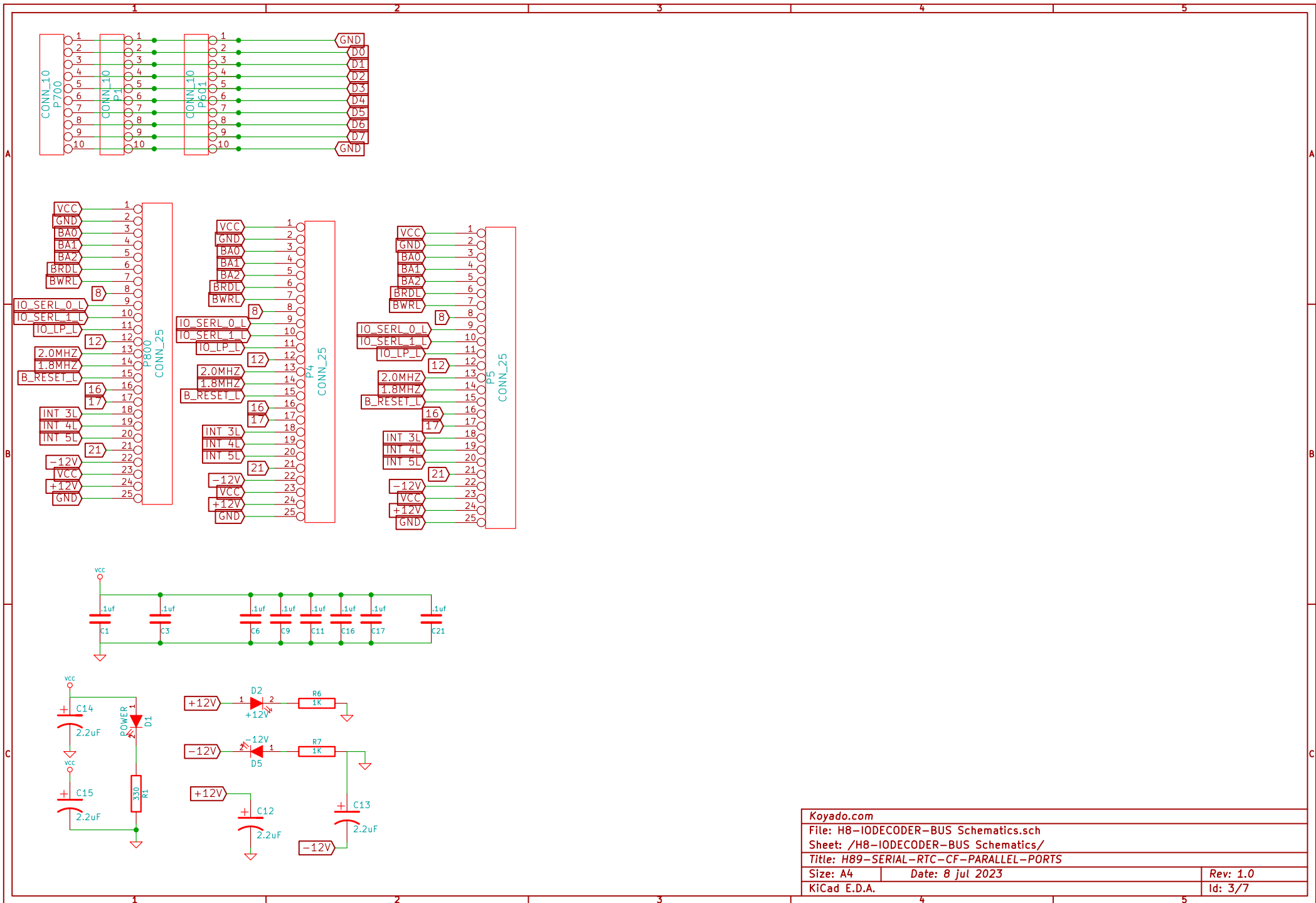
82C55_CF_CONTROLLER.

82C55_CF_CONTROLLER.sch

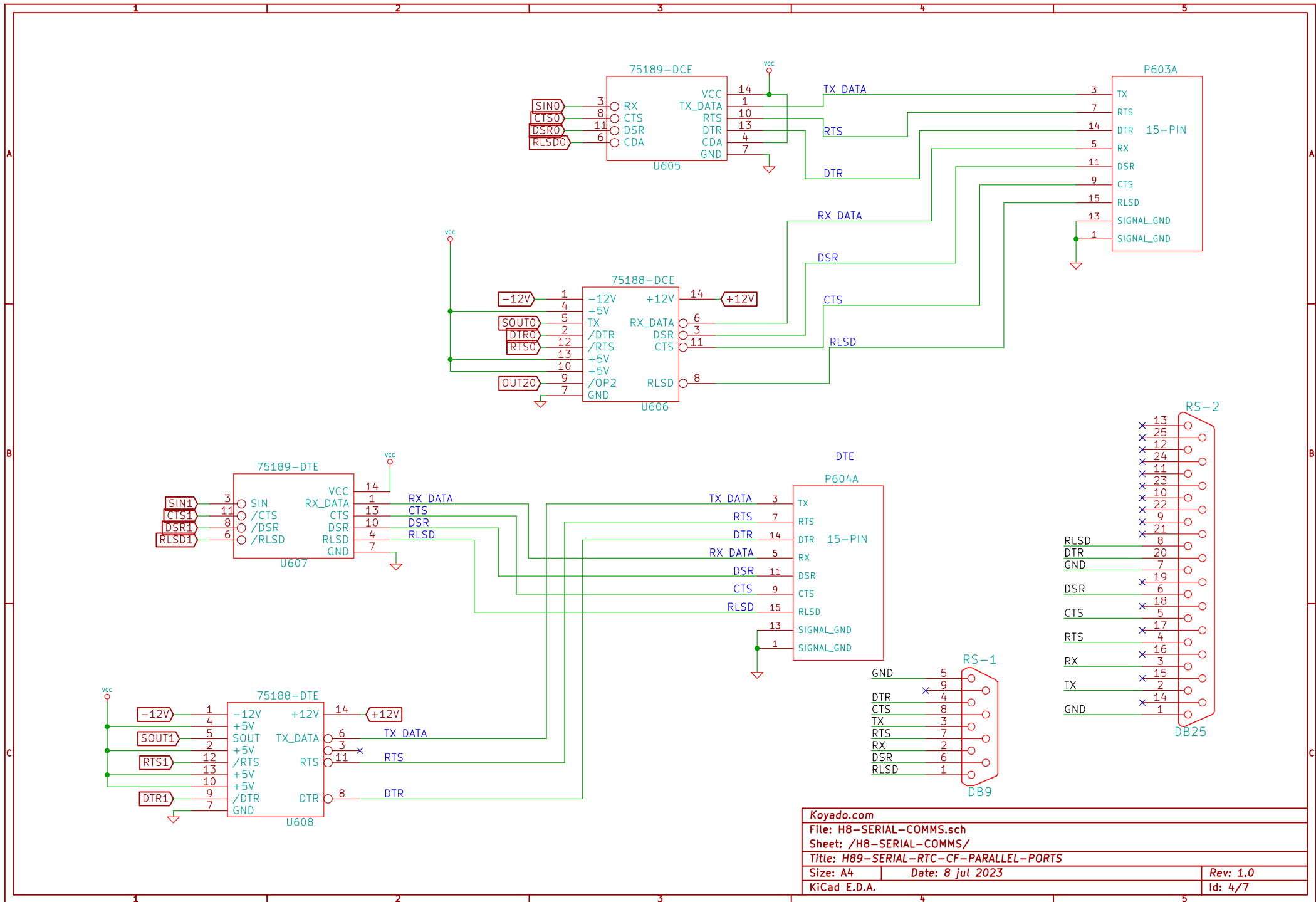
Koyado.com	
File: H89-CF-SERIAL-PARALLEL-RTC.sch	
Sheet: /	
Title: H89-SERIAL-RTC-CF-PARALLEL-PORTS	
Size: USLetter	Date: 8 jul 2023
KiCad E.D.A.	Rev: 1.0
	Id: 1/7

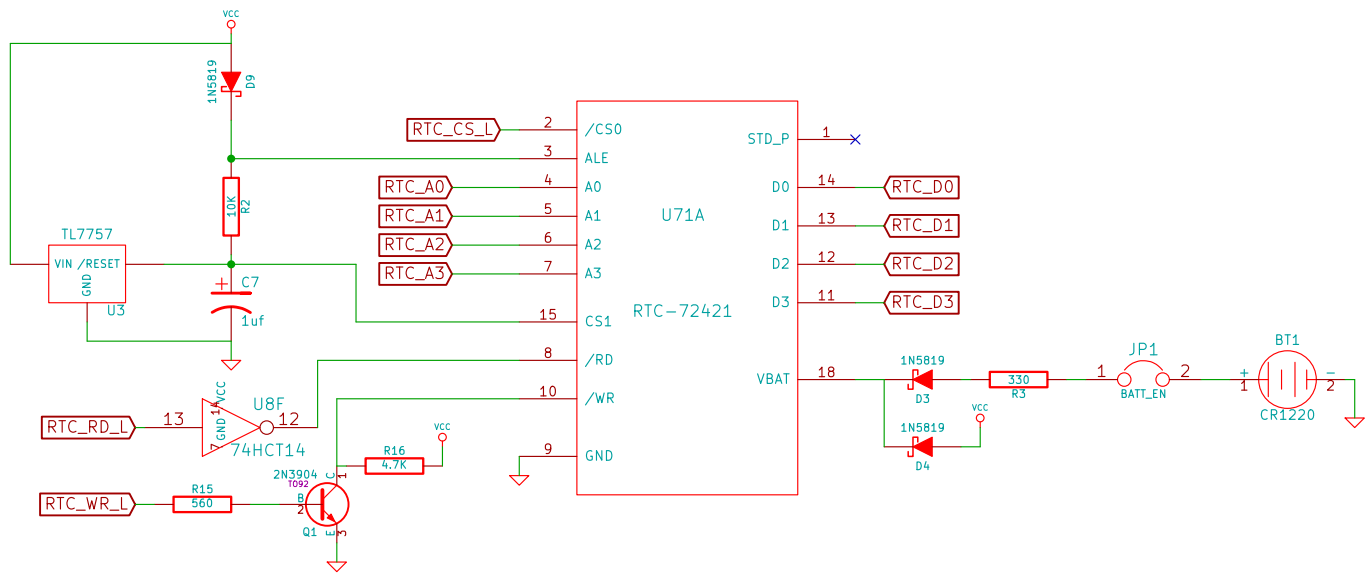


Koyado.com	
File: H89_SERIAL_V1.0.sch	
Sheet: /H89_SERIAL_V1.0/	
Title: H89-SERIAL-RTC-CF-PARALLEL-PORTS	
Size: USLetter	Date: 8 jul 2023
KiCad E.D.A.	Rev: 1.0
	Id: 2/7

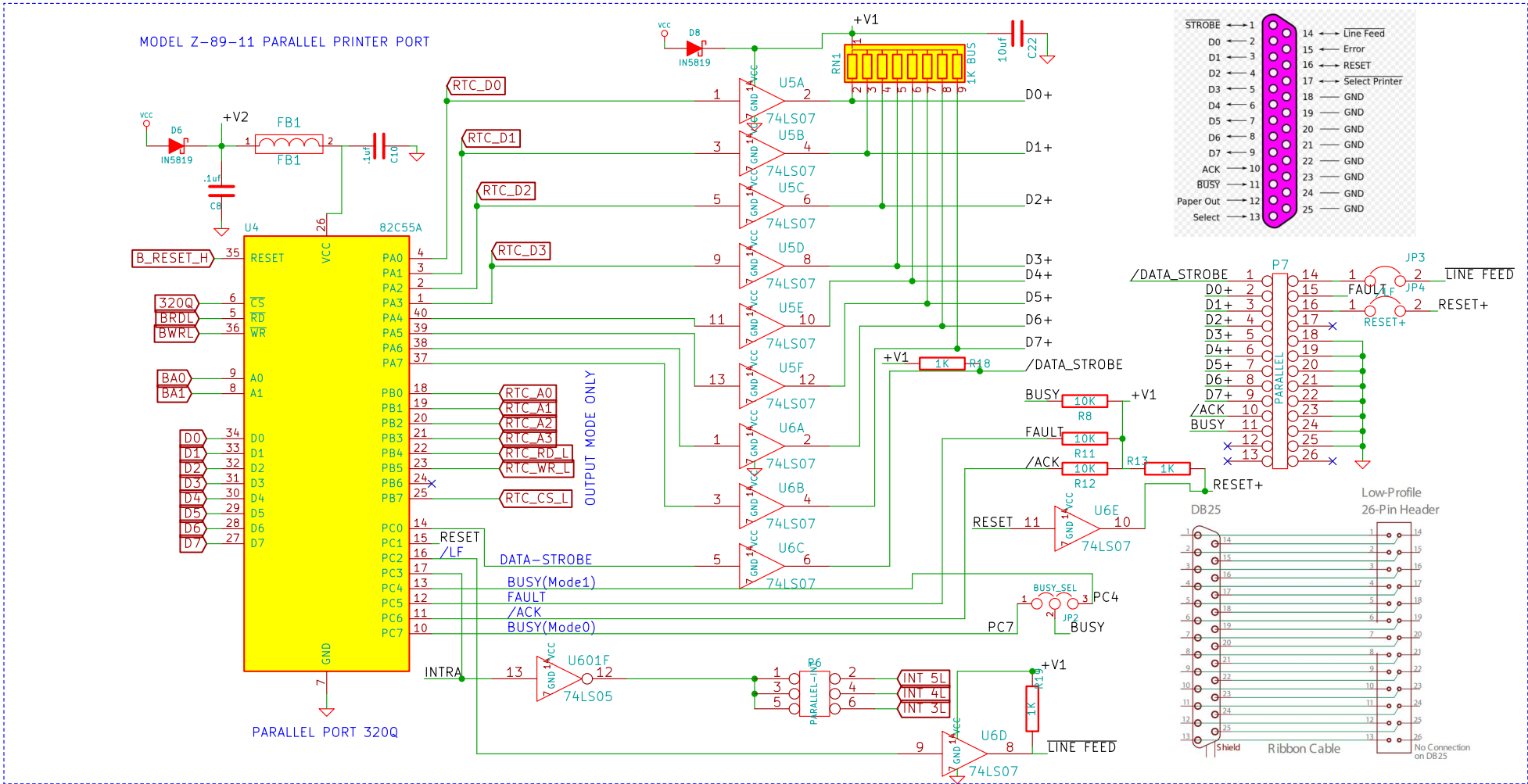


Koyado.com	
File: H8-IODECODER-BUS Schematics.sch	
Sheet: /H8-IODECODER-BUS Schematics/	
Title: H89-SERIAL-RTC-CF-PARALLEL-PORTS	
Size: A4	Date: 8 jul 2023
KiCad E.D.A.	Rev: 1.0
	Id: 3/7



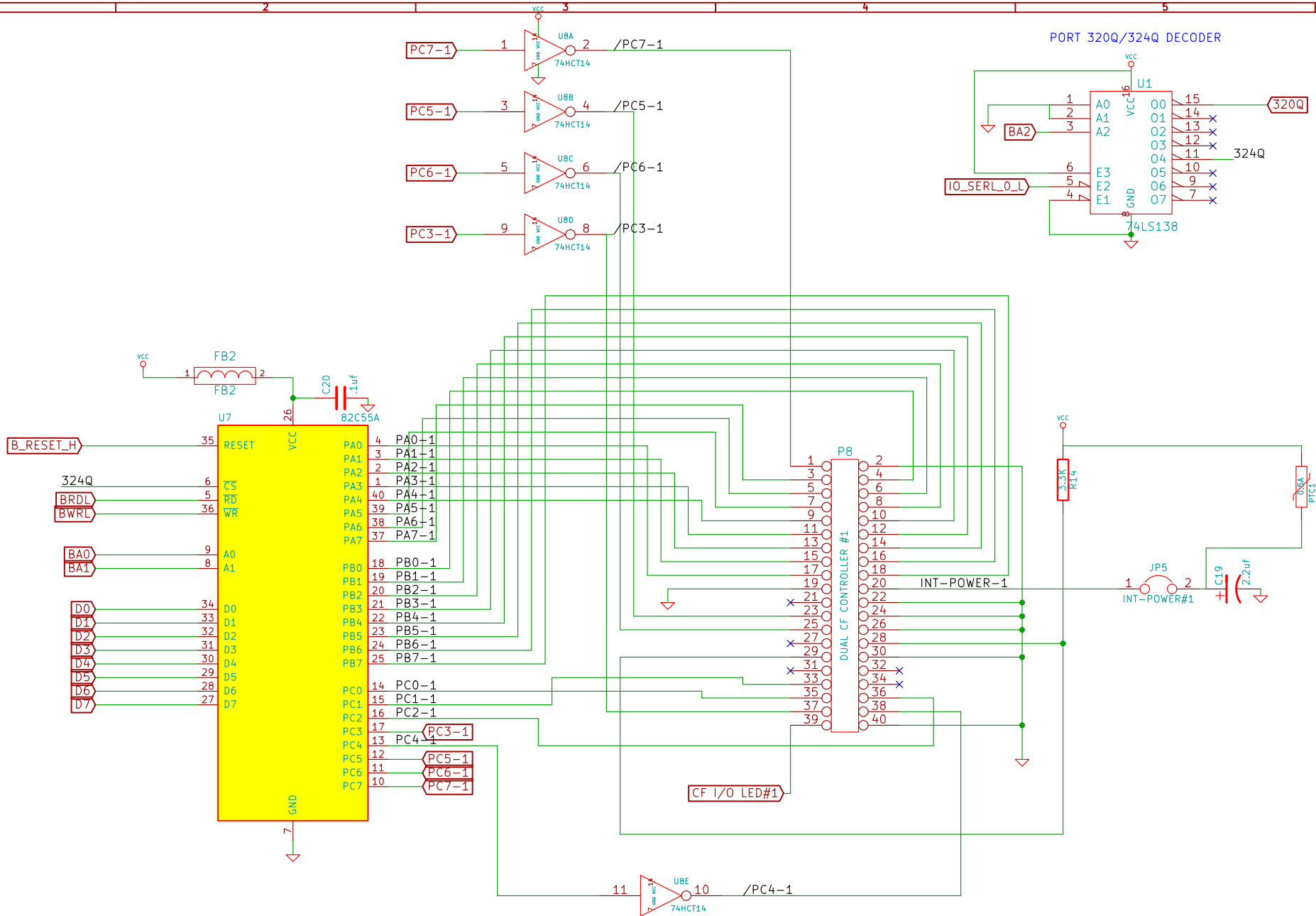


Koyado.com	
File: RTC.sch	
Sheet: /RTC/	
Title: H89-SERIAL-RTC-CF-PARALLEL-PORTS	
Size: A4	Date: 8 jul 2023
KiCad E.D.A.	Rev: 1.0
	Id: 5/7



Copyright Norberto Collado © 2021
 Koyado.com
 File: 82C55_PARALLEL-PORT.sch
 Sheet: /82C55_PARALLEL-PORT./
 Title: H89-SERIAL-RTC-CF-PARALLEL-PORTS
 Size: USLegal Date: 8 jul 2023
 KiCad E.D.A.

Rev: 1.0
 Id: 6/7



Copyright Norberto Collado © 2022
 Koyado.com
 File: 82C55_CF_CONTROLLER.sch
 Sheet: /82C55_CF_CONTROLLER./
 Title: H89-SERIAL-RTC-CF-PARALLEL-PORTS
 Size: USLegal Date: 8 jul 2023
 KiCad E.D.A. Rev: 1.0
 Id: 7/7