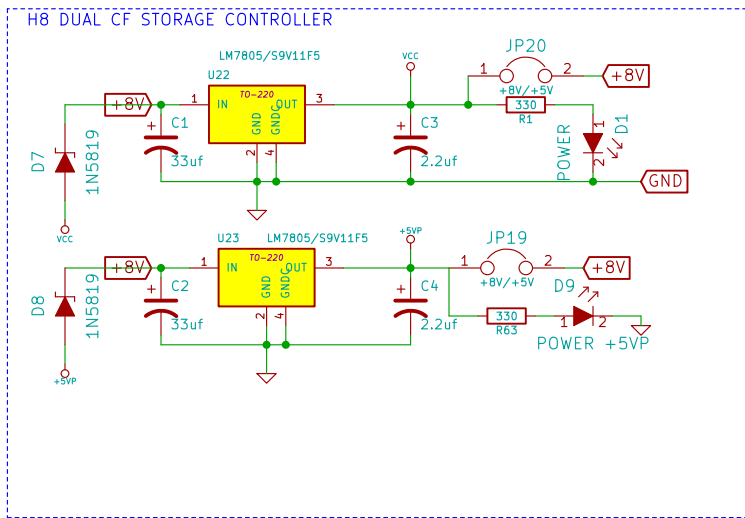


H8  
H8-P1-P2-BUSS



H8-DUAL-CF-STORAGE\_Schematic.sch

