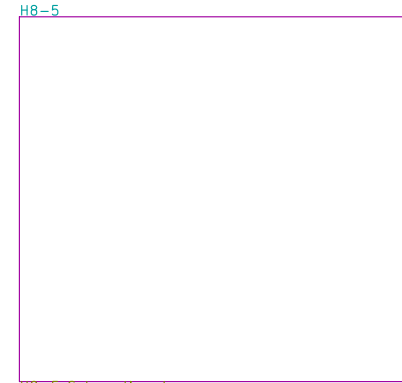
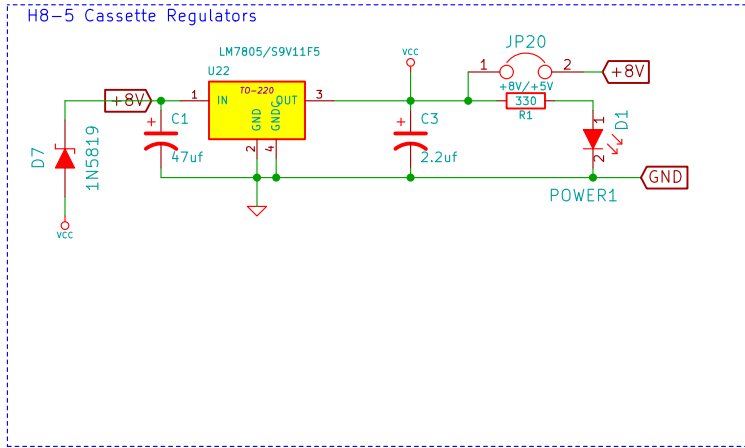
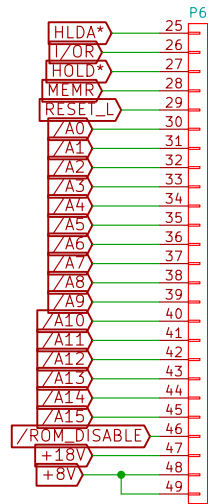


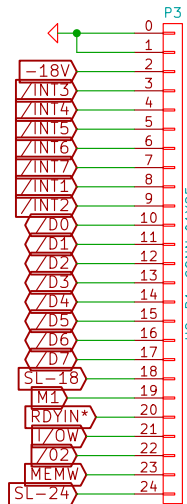
H1
H8-P1-P2-BUSS



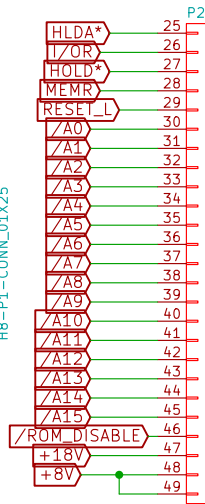
H8-5_Schematic.sch



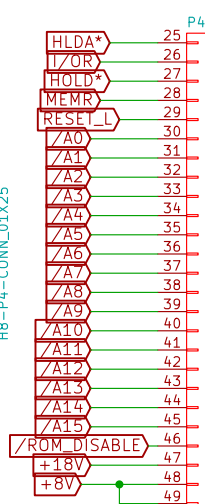
H8-P2-CONN_01X25



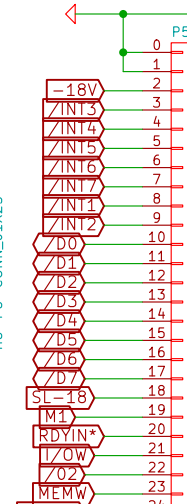
H8-P1-CONN_01X25



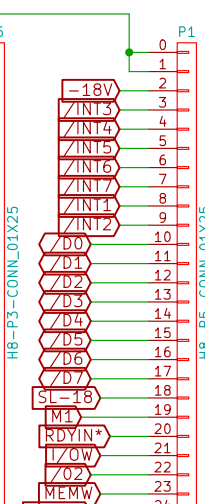
H8-P4-CONN_01X25



H8-P6-CONN_01X25



H8-P3-CONN_01X25



H8-P5-CONN_01X25

Copyright Norberto Collado © 2022

KOYADO.COM

File: H8-5.sch

Sheet: /

Title: H8-Z5-4 CONSOLE CASSETTE/STORAGE INTERFACE

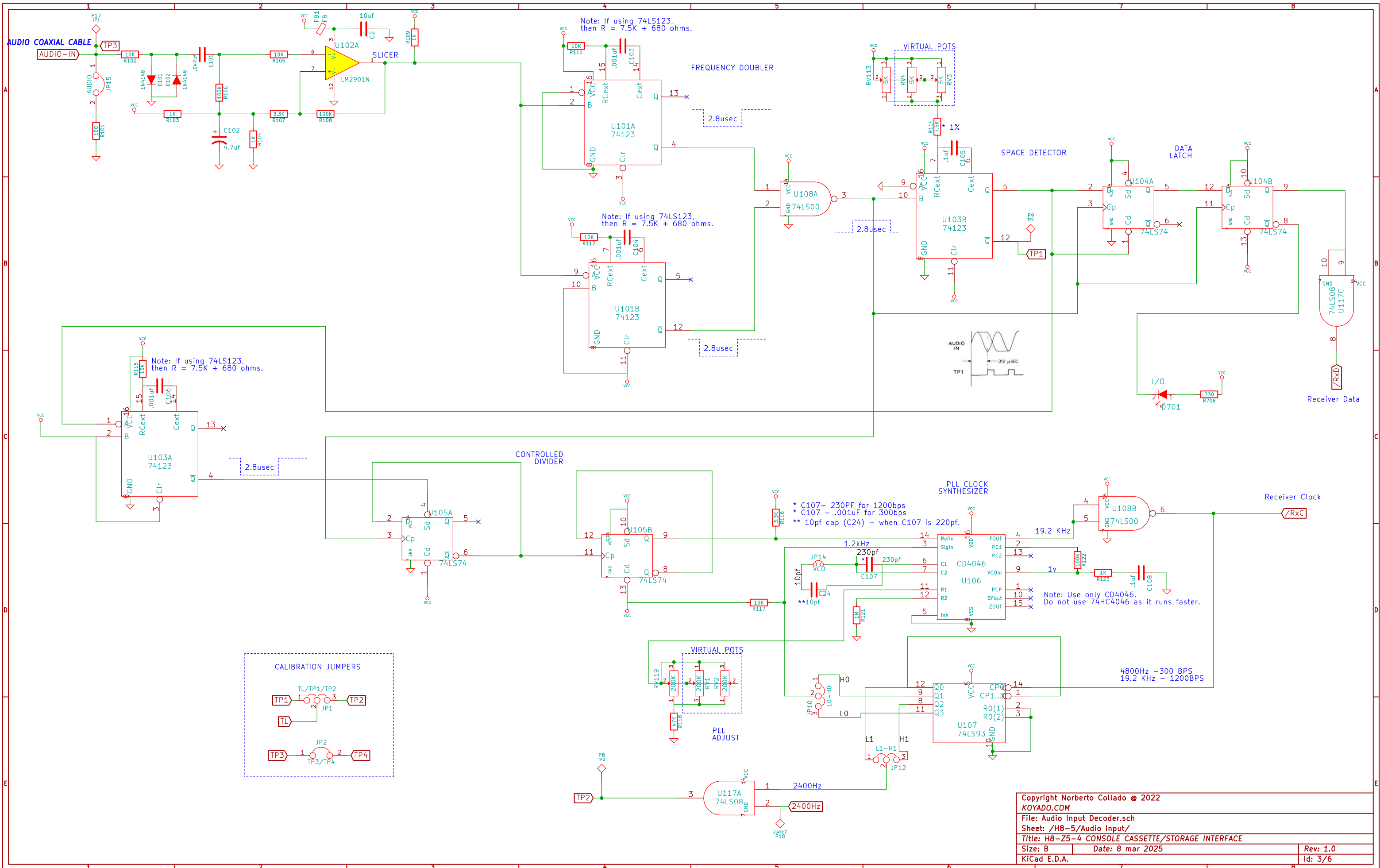
Size: A

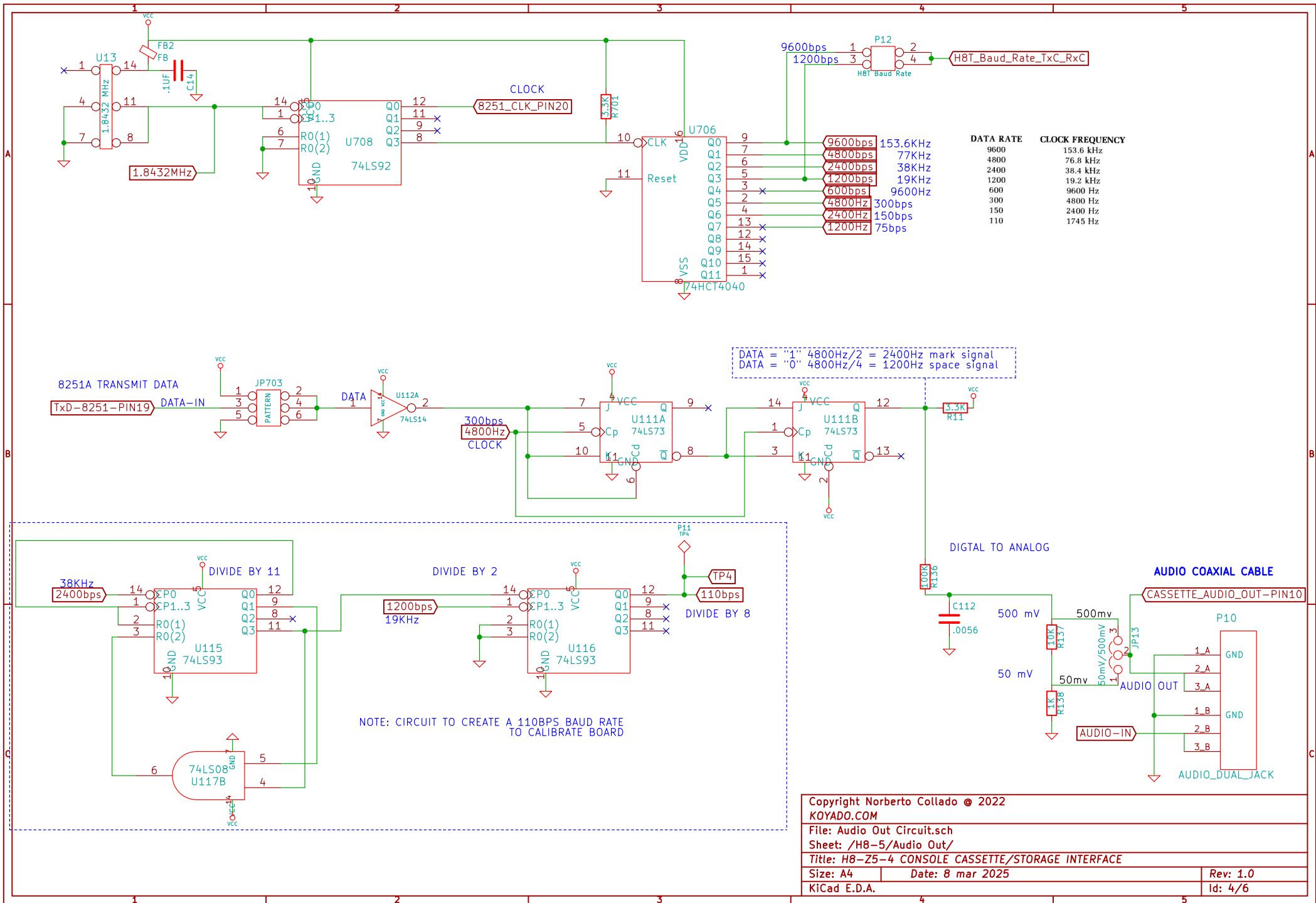
Date: 8 mar 2025

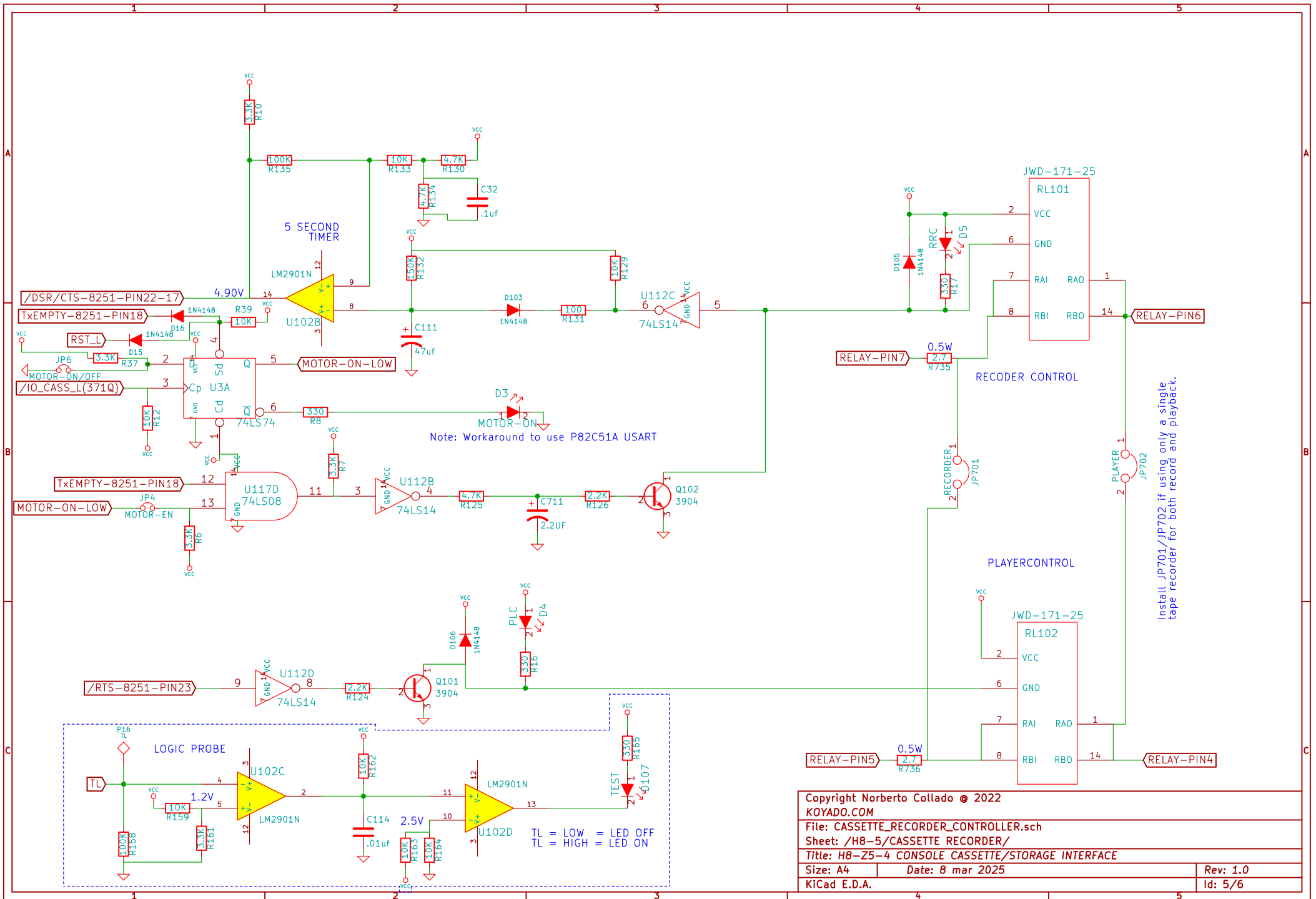
Rev: 1.0

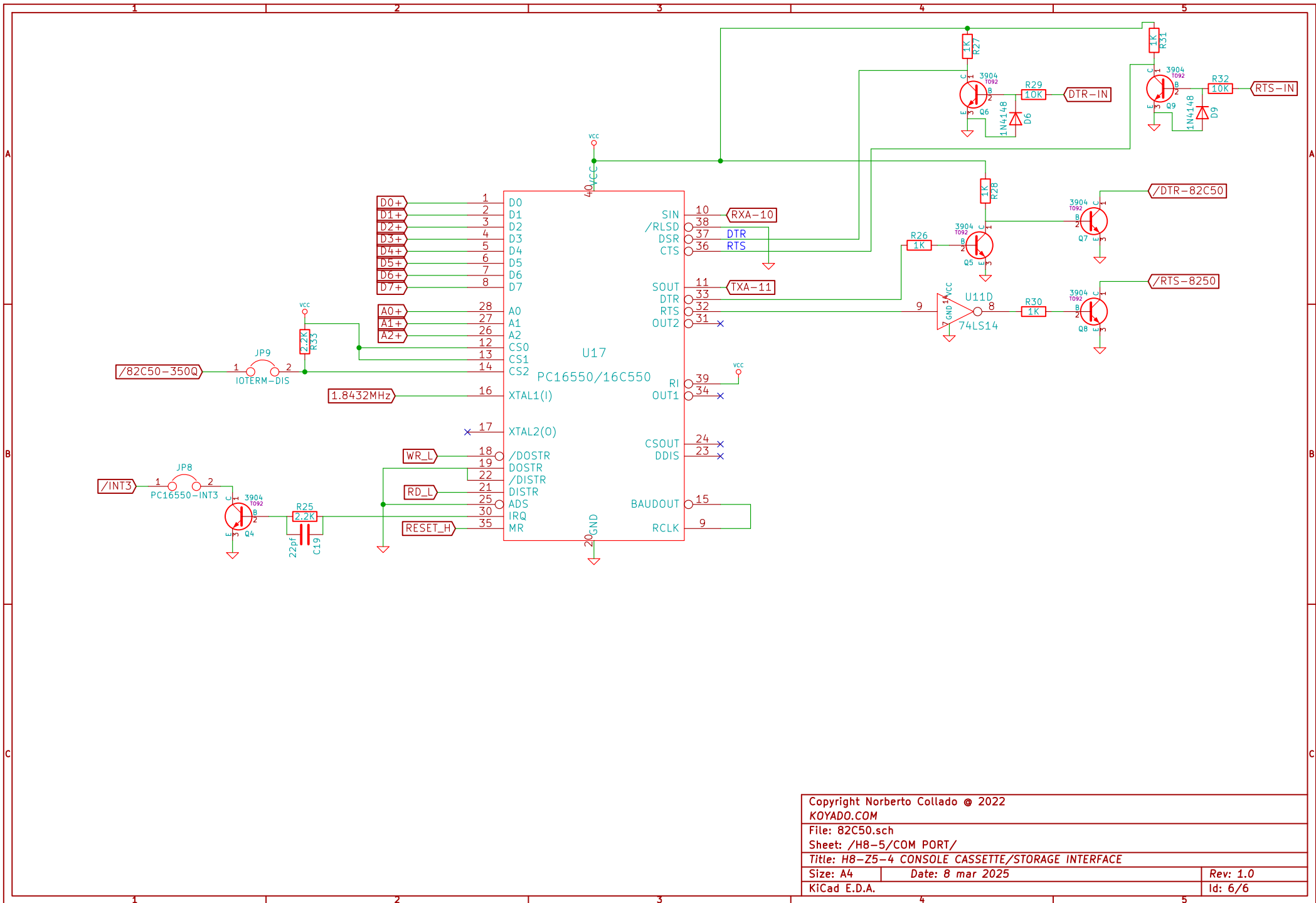
KiCad E.D.A.

Id: 1/6









Copyright Norberto Collado © 2022		
KOYADO.COM		
File: 82C50.sch		
Sheet: /H8-5/COM PORT/		
Title: H8-Z5-4 CONSOLE CASSETTE/STORAGE INTERFACE		
Size: A4	Date: 8 mar 2025	Rev: 1.0
KiCad E.D.A.		Id: 6/6