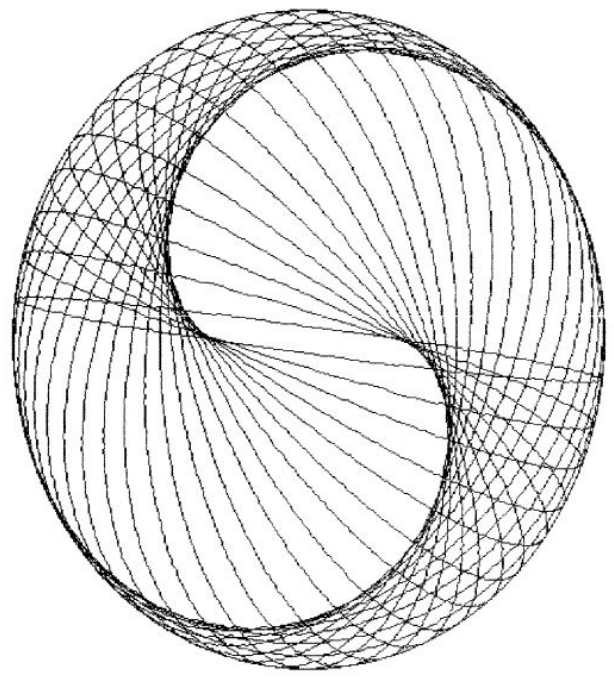
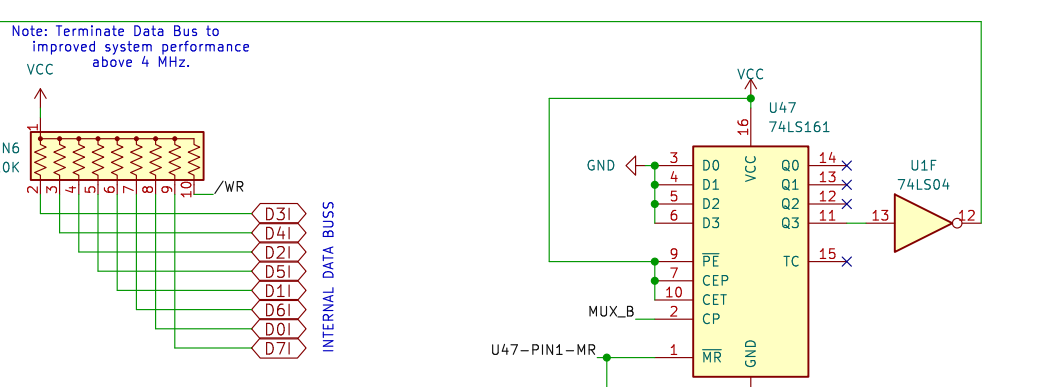


Note: Both ROMs (U30/U31) cannot be installed at the same time.



Replace Dynamic RAM with Static RAM  
 Copyright © 2025 - 2026  
 Recreate Original Board Layout  
 Koyado.com  
 Sheet1  
 File: H19\_Main\_Graphic\_Board - S12KB.kicad.sch  
**Title: H19 Graphic Board - IGS - Interactive Graphics Controller**  
 Size: User | Date: 2026-01-01 | Rev: V2.0  
 KICAD EDA 8.0.7 | 10/12/1