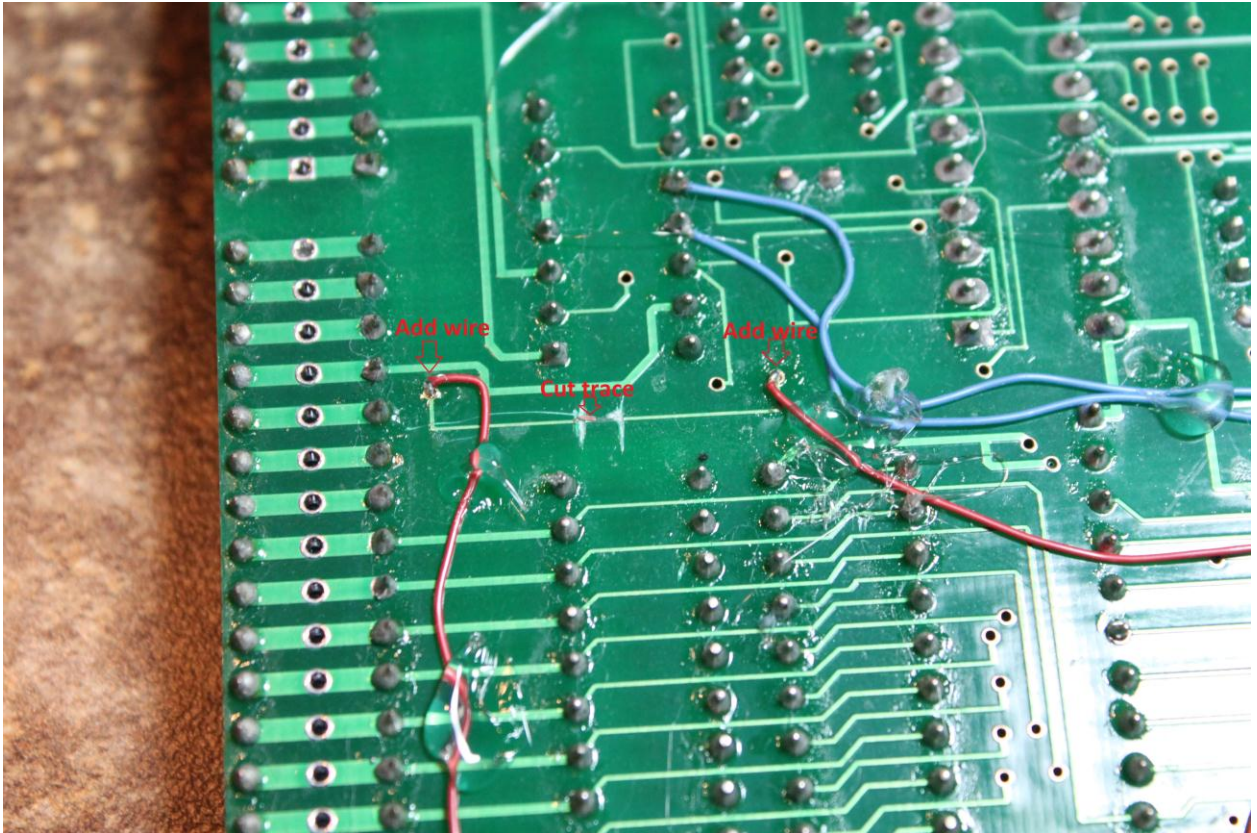


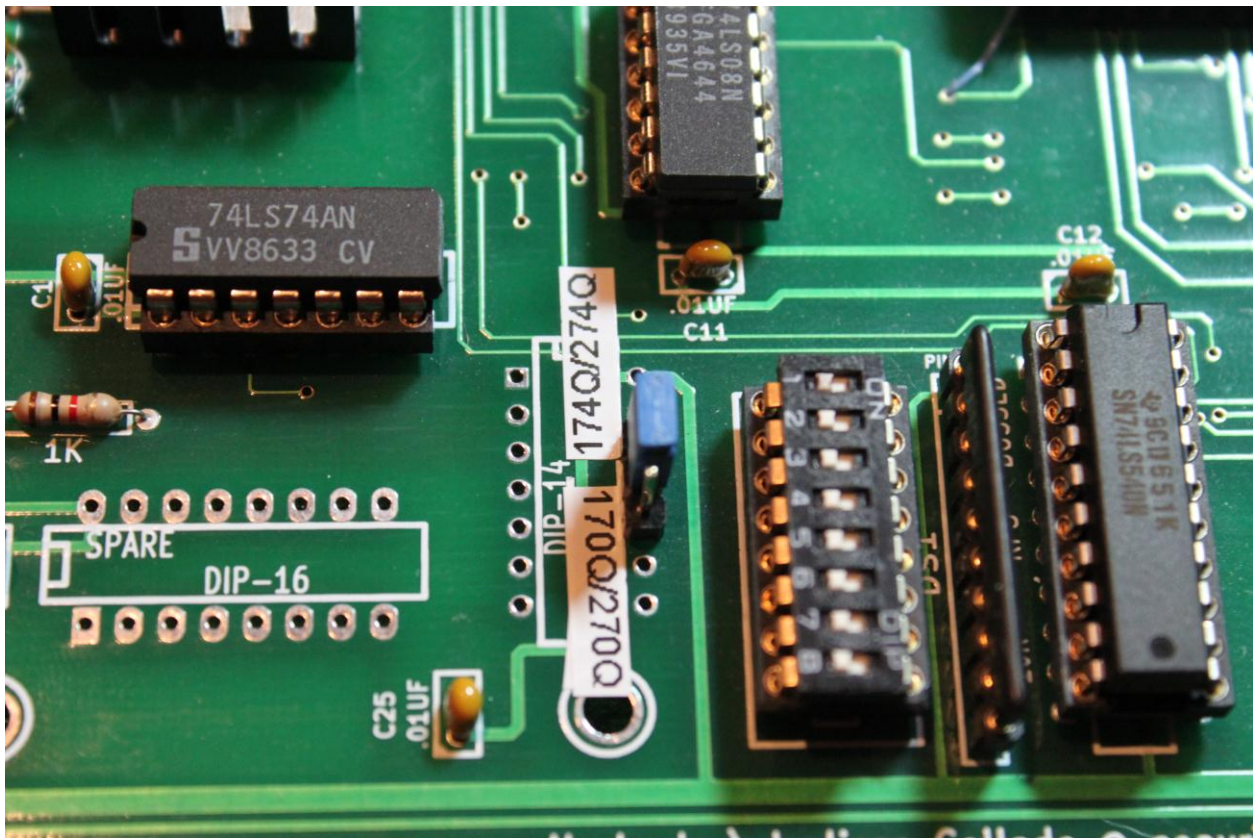
H8-Z67 Port 174Q/274Q Rework

Issue: The H8-Z67 board only supports 170Q and 270 Q port addresses. In order to co-exist with the “new” H8-Z37 board, it must support 174Q and 274Q port addresses.

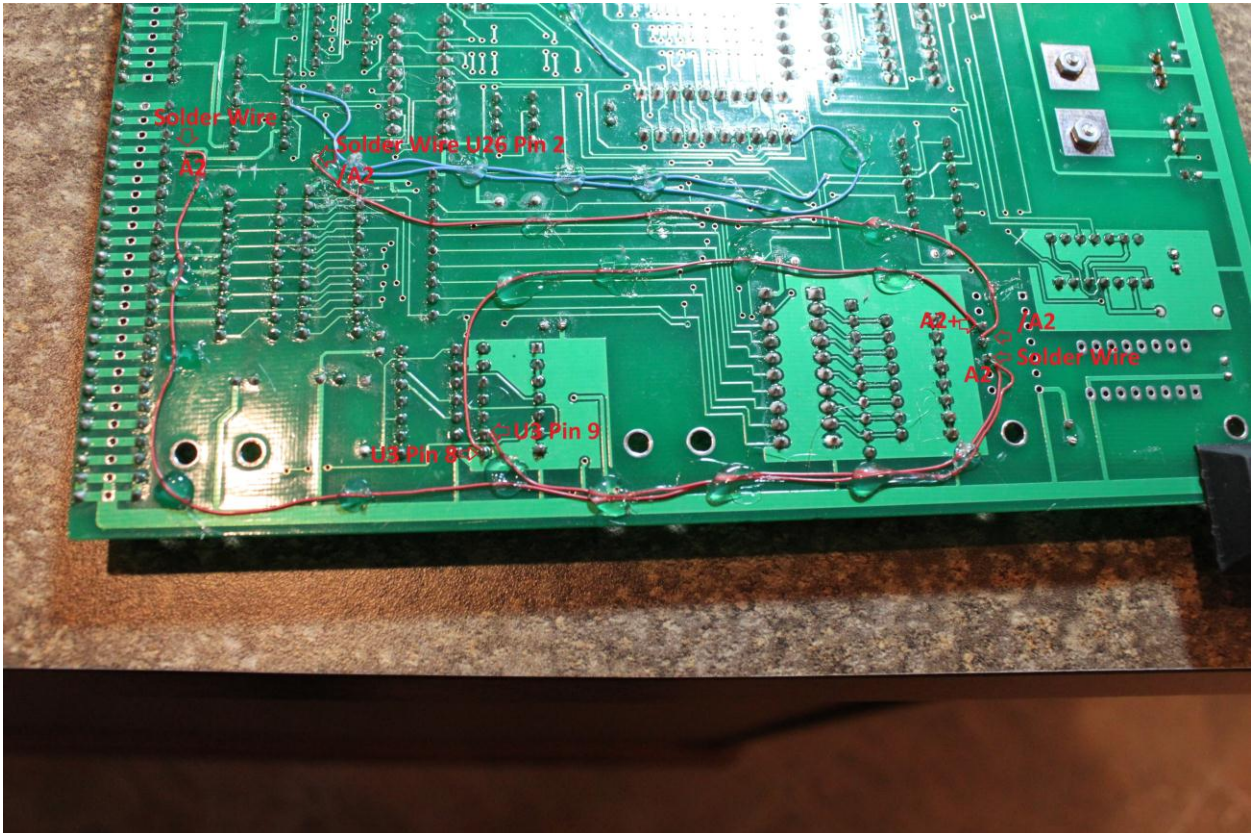
1. Cut trace as shown below



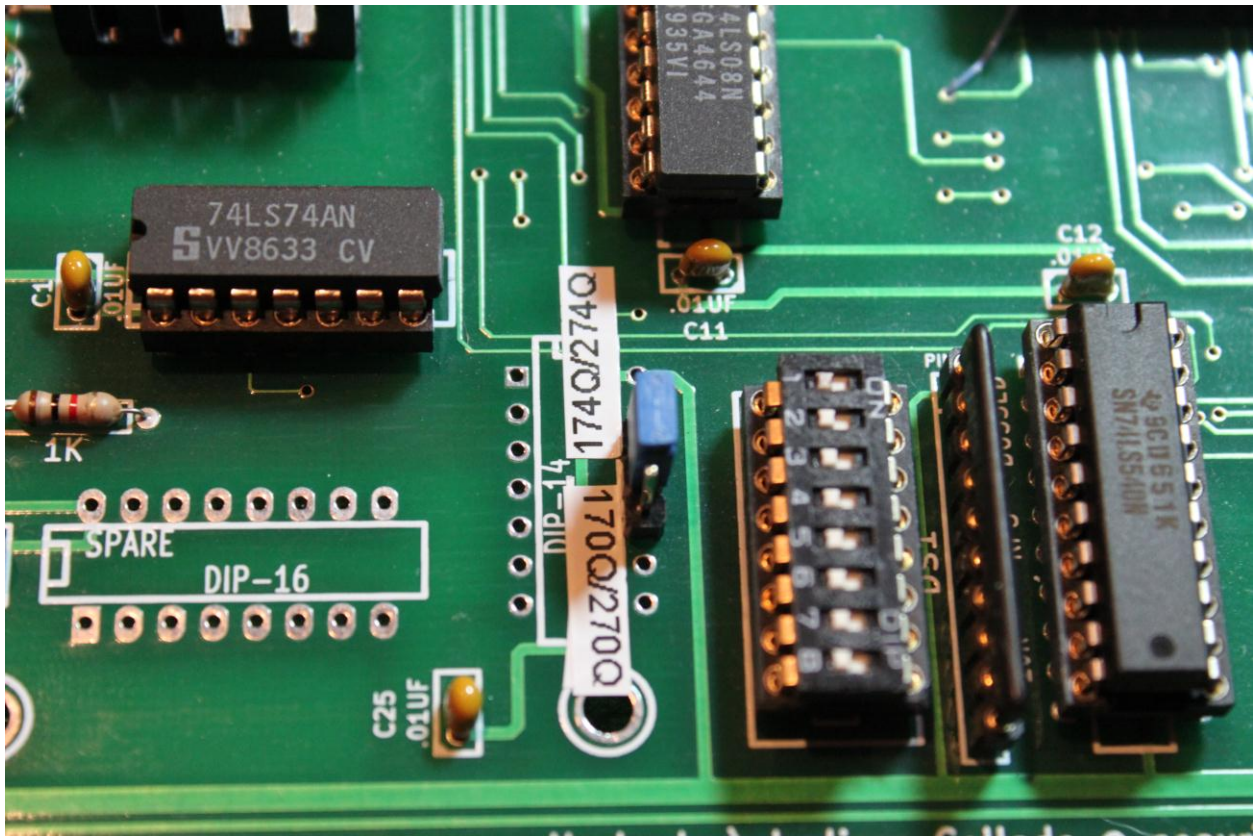
- Solder a 3 pin header on the spare 14 pin socket as shown below. Label jumper position with the correct Port Address as shown.



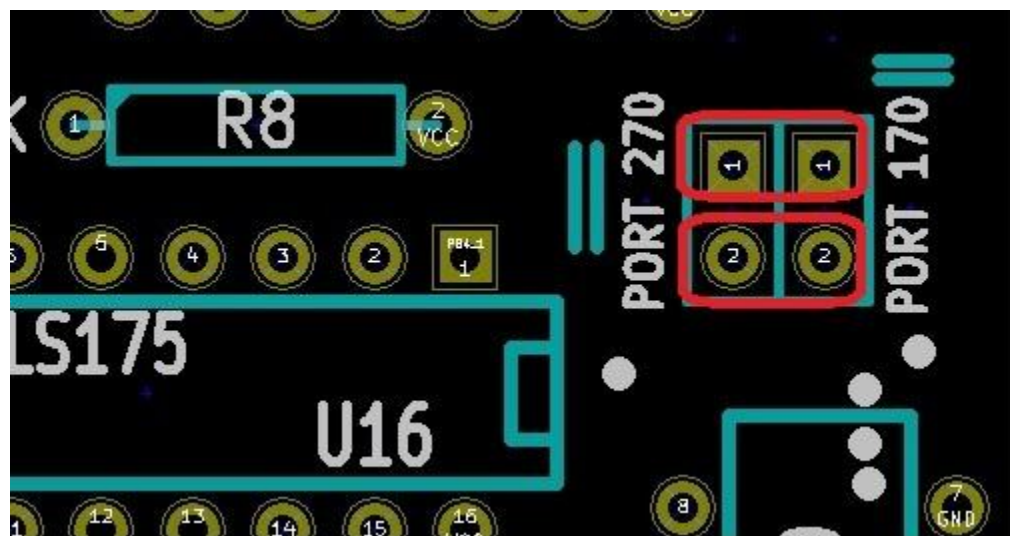
3. Solder a wire from A2 to the 3 pin header – pin3 label as A2
4. Solder a wire the 3 pin header – pin 3 to U3 pin 9
5. Solder a wire from /A2 position (U26 pin 2) to the 3 pin header pin 2 – label as /A2
6. Solder a wire from U3 pin 8 to the 3 pin header pin 1 – label as A2+



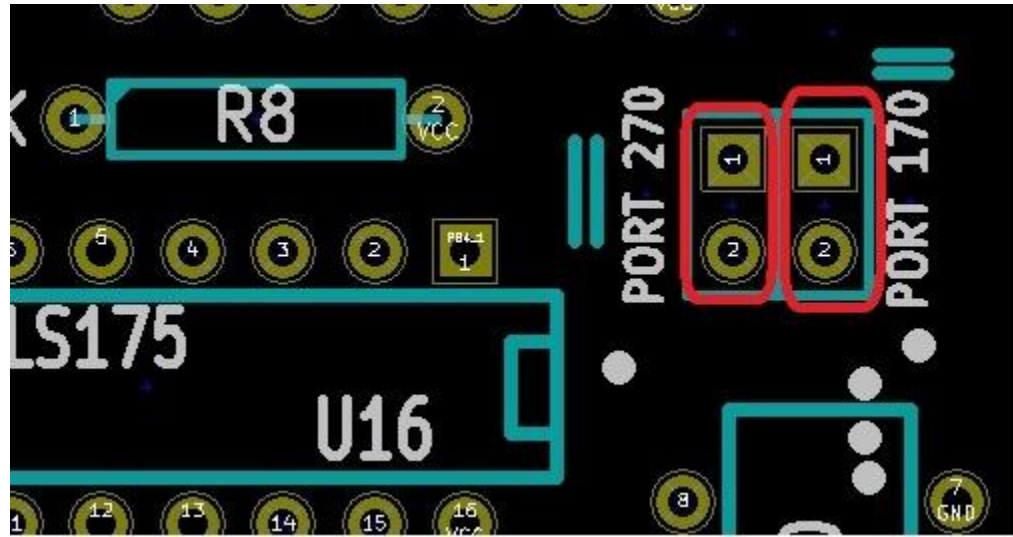
7. Insert a jumper into the 3 pin header – into pin 1 and 2 to select port 174Q or 274Q as shown below



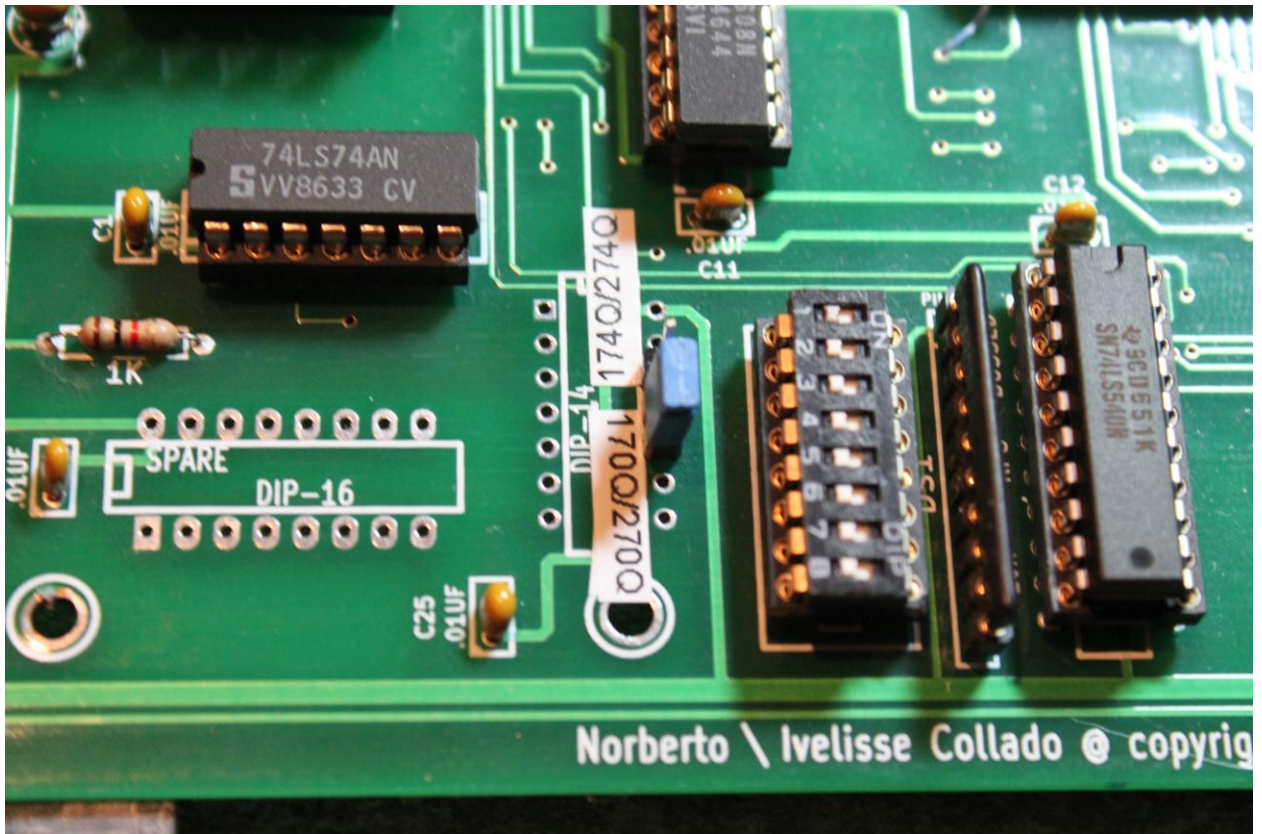
Port 174Q:



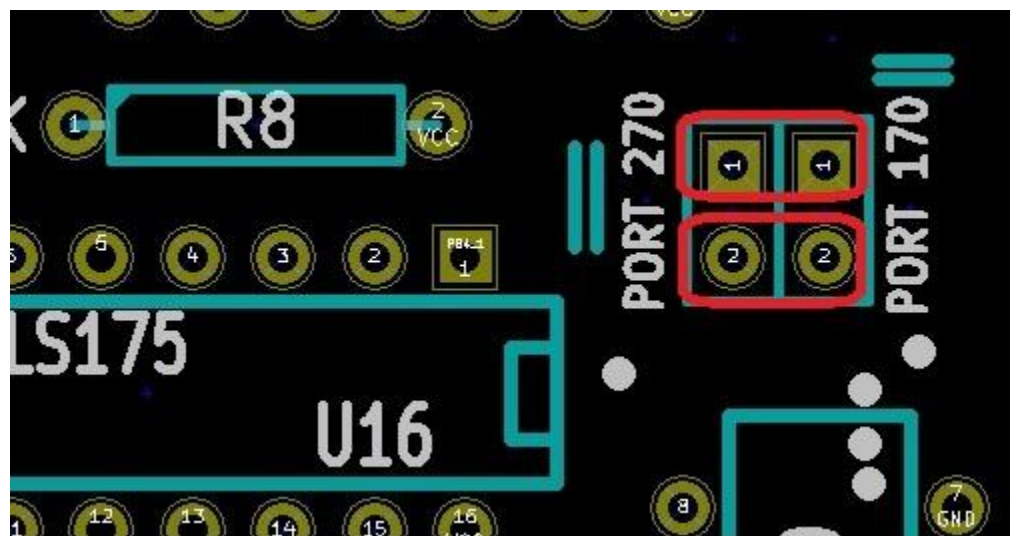
Port 274Q:



8. Insert a jumper into the 3 pin header – into pin 2 and 3 to select port 170Q or 270Q as shown below.



Port 170Q:



Port 270Q:

