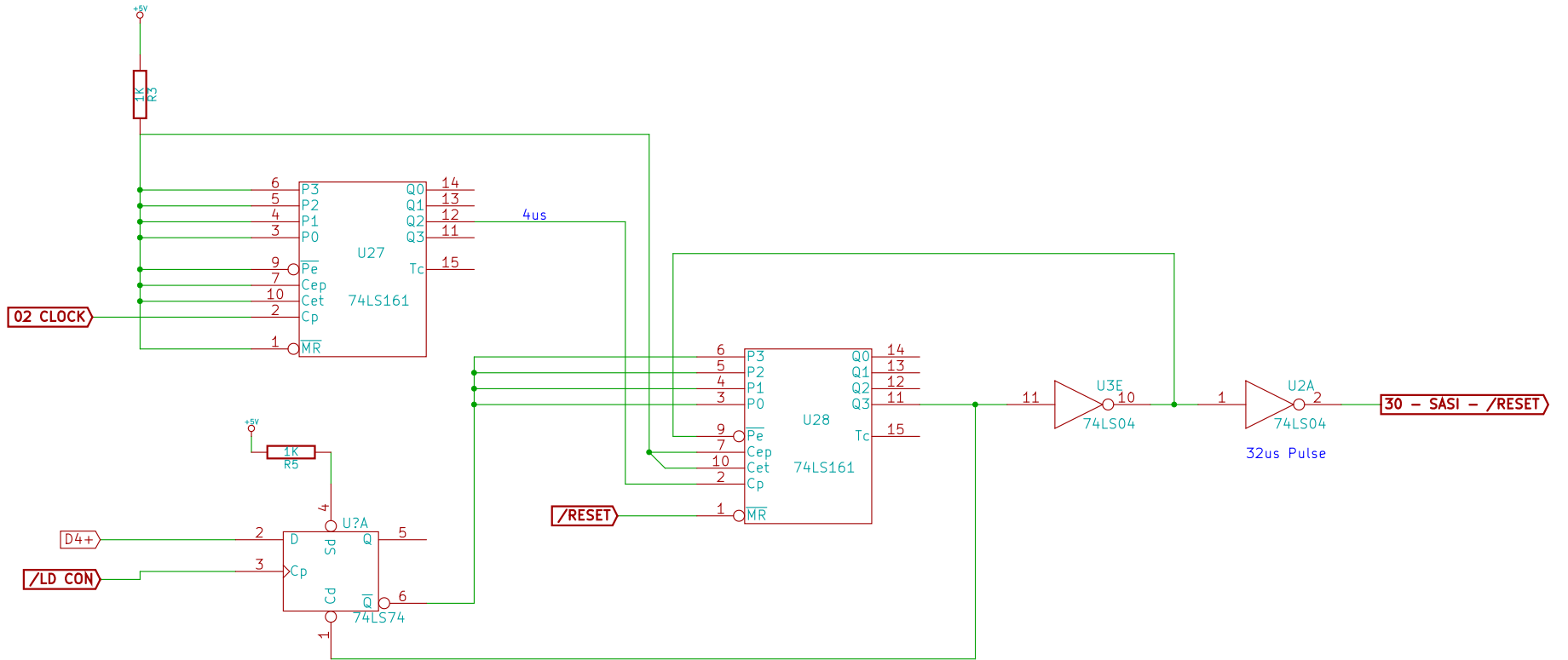
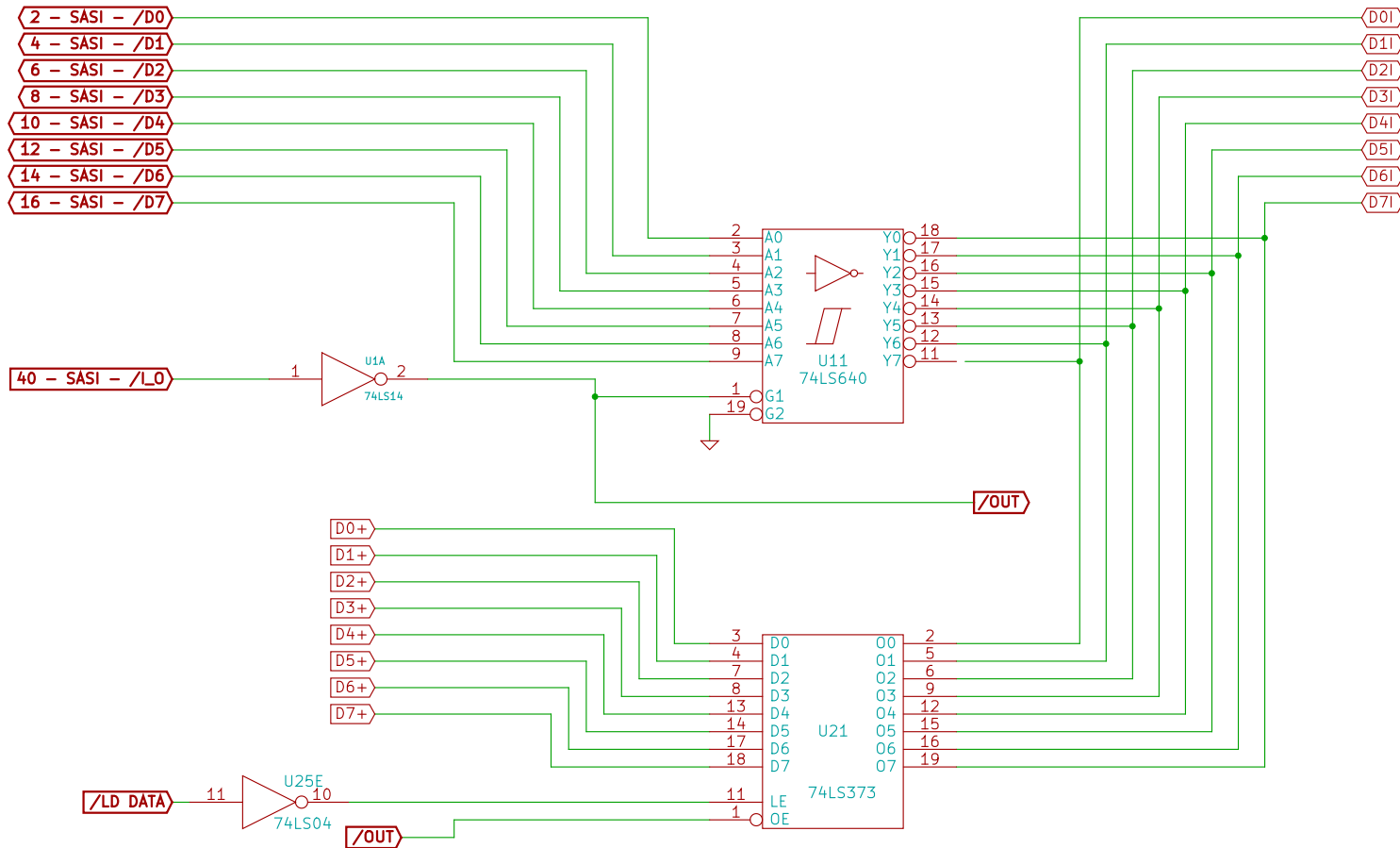
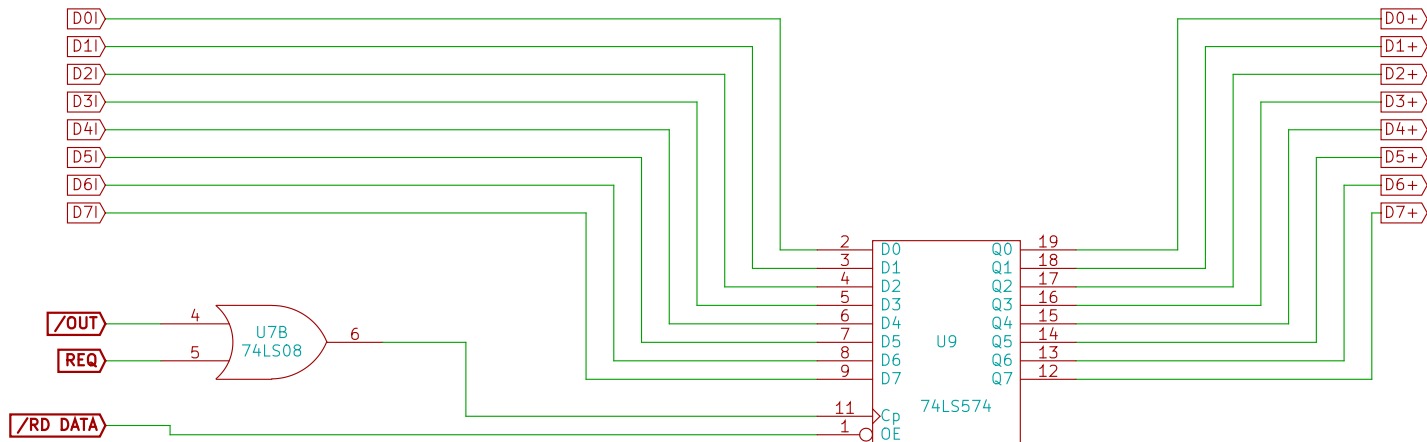


H8-Z67 CONTROLLER
 Copyright Norberto Collado © 2010
KOYADO.COM
 File: H8-Z67 Schematics - SASI CONTROL LATCH.sch
 Sheet: /
Title: READ SWITCH.sch
 Size: A4 Date: 9 jan 2011 Rev: 1.0
 KiCad E.D.A. eeschema (20100217 RC3)-RC3a Id: 1/1

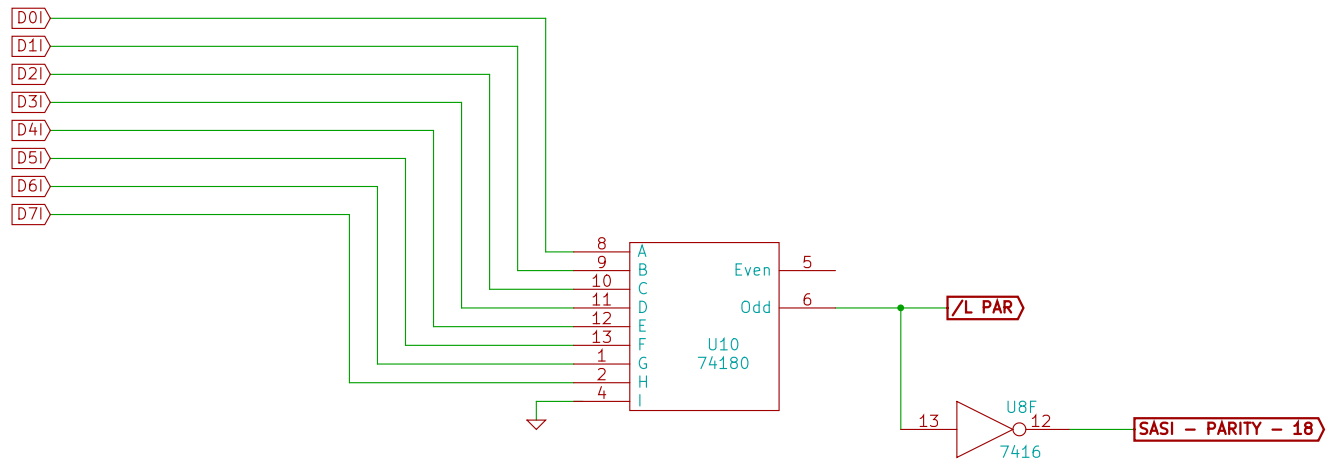


H8-Z67 CONTROLLER		
Copyright Norberto Collado © 2010		
KOYADO.COM		
File: H8-Z67 Schematics - SASI RESET 32us.sch		
Sheet: /		
Title: READ SWITCH.sch		
Size: A4	Date: 9 jan 2011	Rev: 1.0
KiCad E.D.A. eeschema (20100217 RC3)-RC3a		Id: 1/1



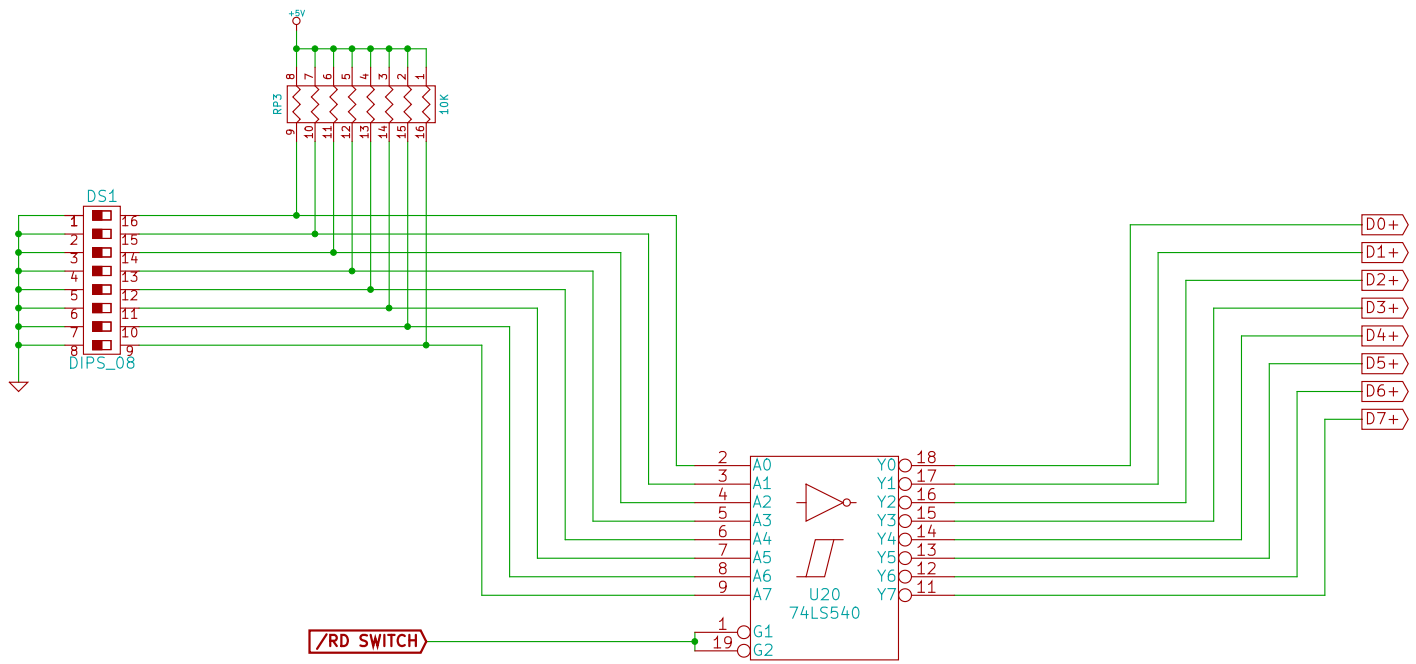


H8-Z67 CONTROLLER		
Copyright Norberto Collado © 2010		
KOYADO.COM		
File: H8-Z67 Schematics - READ SASI DATA.sch		
Sheet: /		
Title: READ DATA.sch		
Size: A4	Date: 9 jan 2011	Rev: 1.0
KiCad E.D.A.	eeschema (20100217 RC3)-RC3a	Id: 1/1



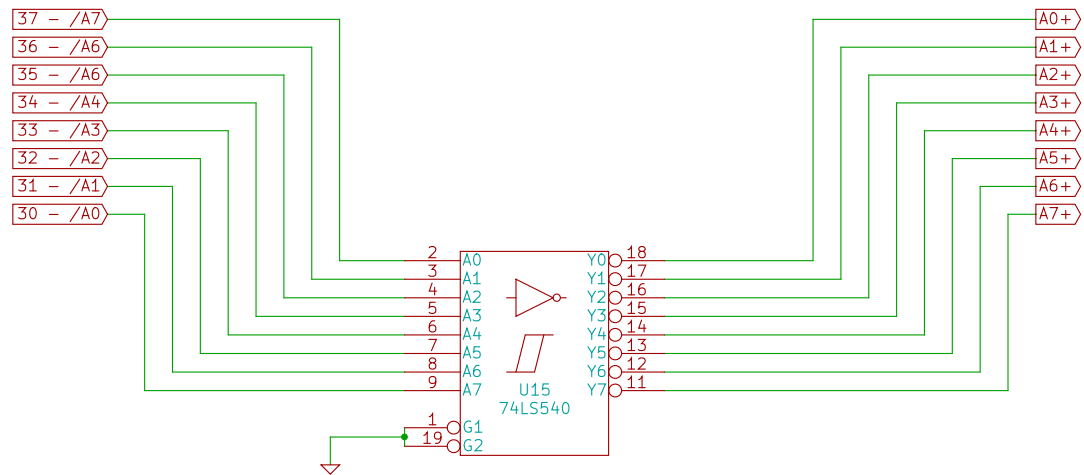
Note: Please do not substitute 74180 IC with the 74LS280 IC. The H8-Z67 board does not support the 74LS280 IC.

H8-Z67 CONTROLLER		
Copyright Norberto Collado © 2010		
KOYADO.COM		
File: H8-Z67 Schematics - SASI PARITY GENERATOR.sch		
Sheet: /		
Title: PARITY GENERATOR.sch		
Size: A4	Date: 9 jan 2011	Rev: 1.0
KiCad E.D.A. eeschema (20100217 RC3)-RC3a		Id: 1/1

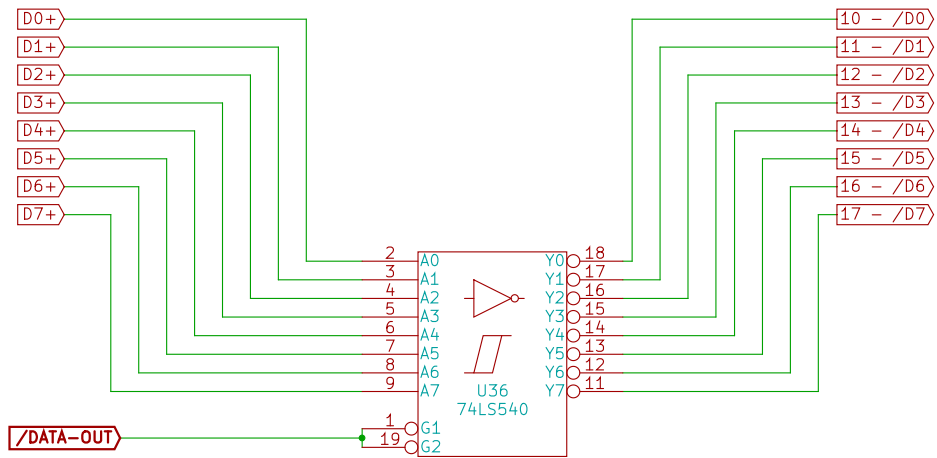


H8-Z67 CONTROLLER		
Copyright Norberto Collado © 2010		
KOYADO.COM		
File: H8-Z67 Schematics - READ SWITCH.sch		
Sheet: /		
Title: READ SWITCH.sch		
Size: A4	Date: 8 jan 2011	Rev: 1.0
KiCad E.D.A. eeschema (20100217 RC3)-RC3a		Id: 1/1

HEATHKIT H8 BUS



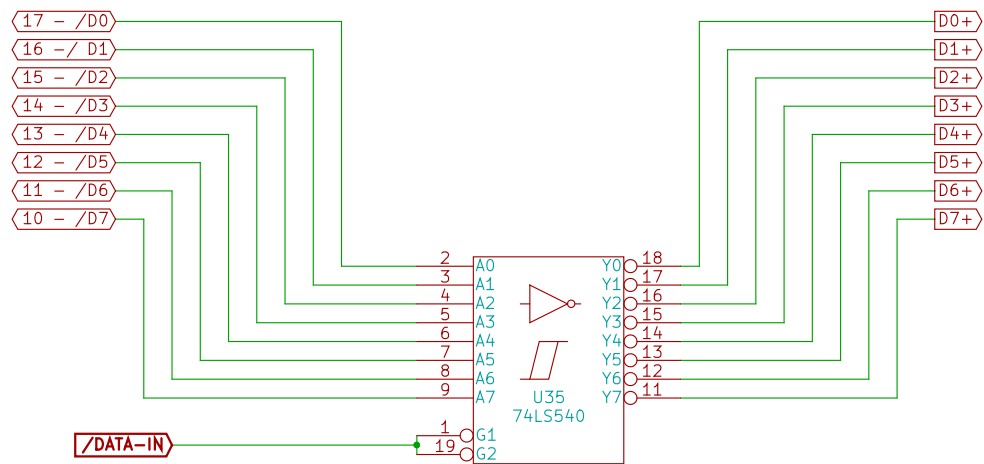
H8-Z67 CONTROLLER		
Copyright Norberto Collado © 2010		
KOYADO.COM		
File: H8-Z67 Schematics - ADDRESS BUFFER.sch		
Sheet: /		
Title: ADDRESS BUFFER.sch		
Size: A4	Date: 6 jan 2011	Rev: 1.0
KiCad E.D.A.	eeschema (20100217 RC3)-RC3a	Id: 1/1



HEATHKIT H8 BUS

H8-Z67 CONTROLLER		
Copyright Norberto Collado © 2010		
KOYADO.COM		
File: H8-Z67 Schematics - DATA-OUT.sch		
Sheet: /		
Title: DATA-OUT BUFFER.sch		
Size: A4	Date: 6 jan 2011	Rev: 1.0
KiCad E.D.A. eeschema (20100217 RC3)-RC3a		Id: 1/1

HEATHKIT H8 BUS



H8-Z67 CONTROLLER

Copyright Norberto Collado © 2010

KOYADO.COM

File: H8-Z67 Schematics - DATA-IN.sch

Sheet: /

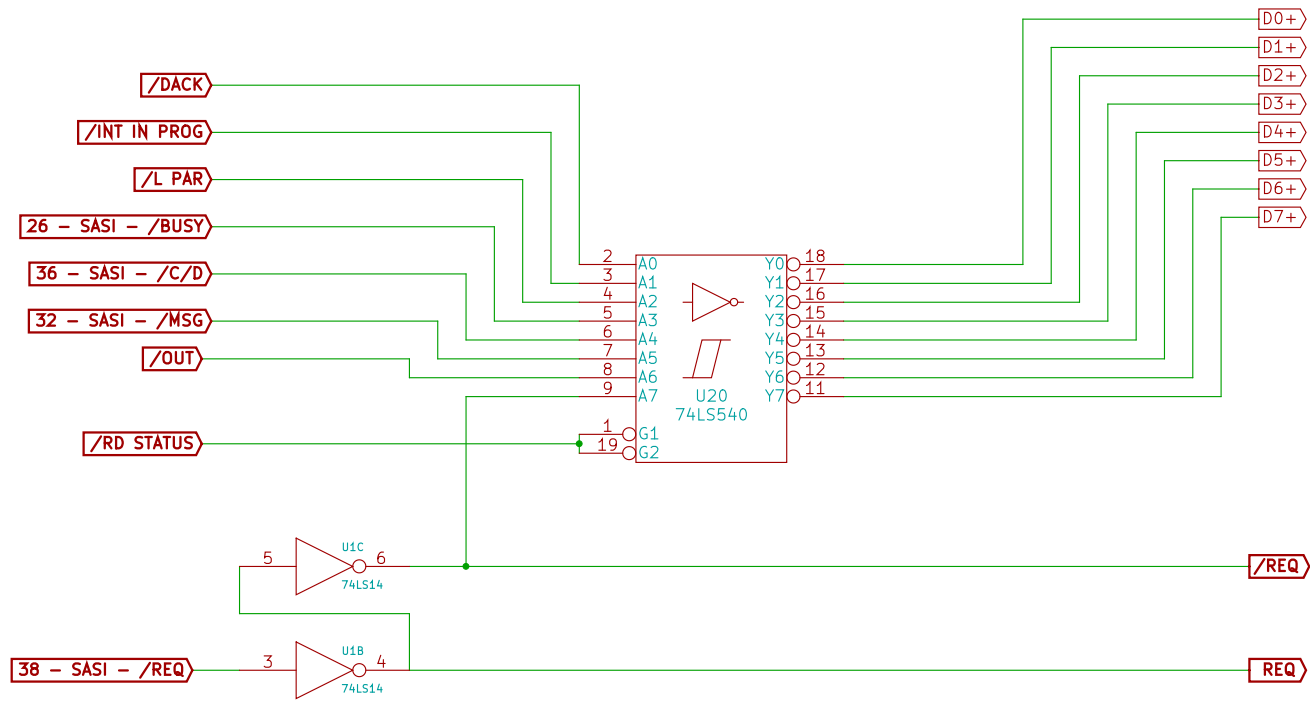
Title: DATA-IN BUFFER.sch

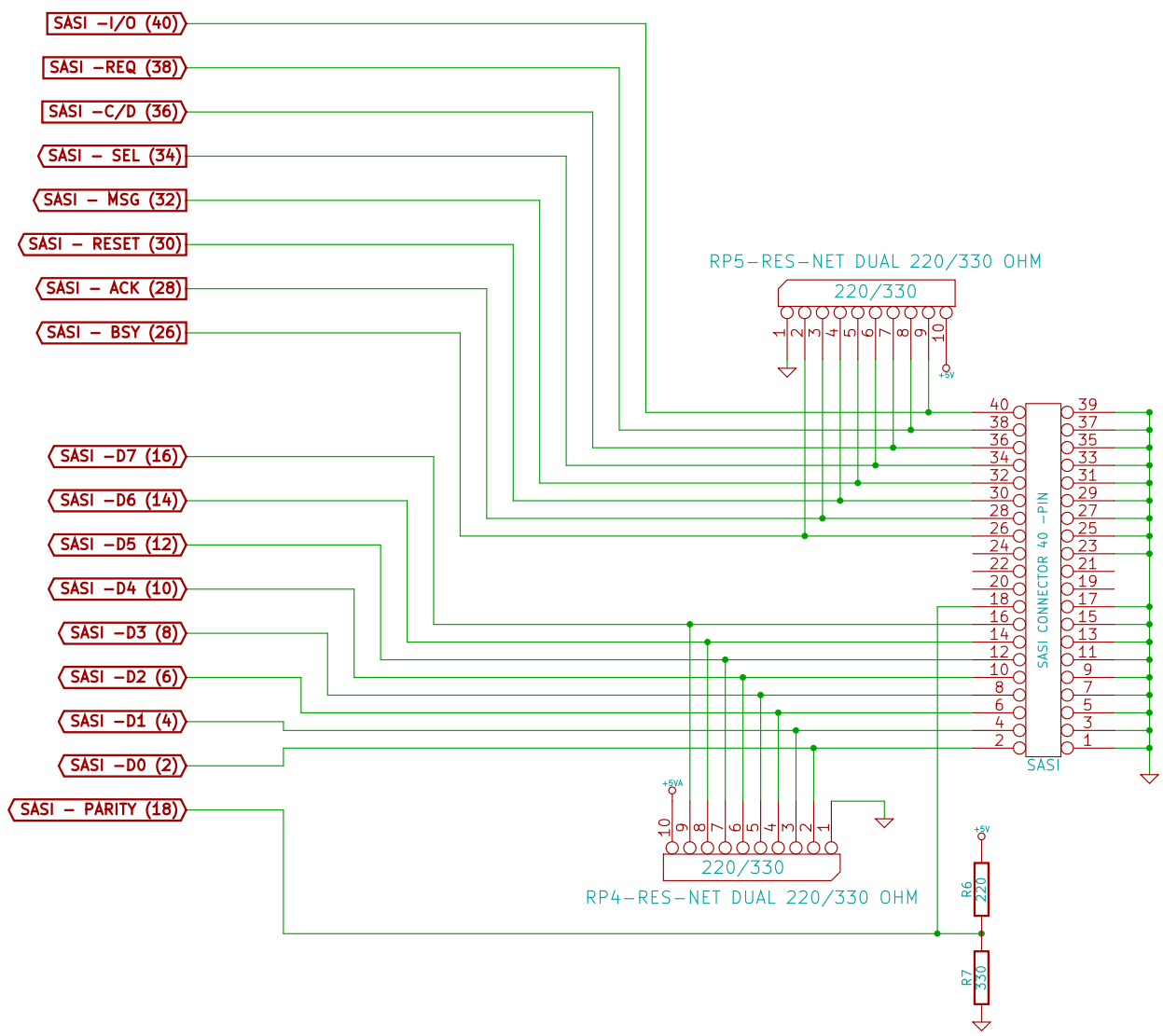
Size: A4 Date: 6 jan 2011

KiCad E.D.A. eeschema (20100217 RC3)-RC3a

Rev: 1.0

Id: 1/1

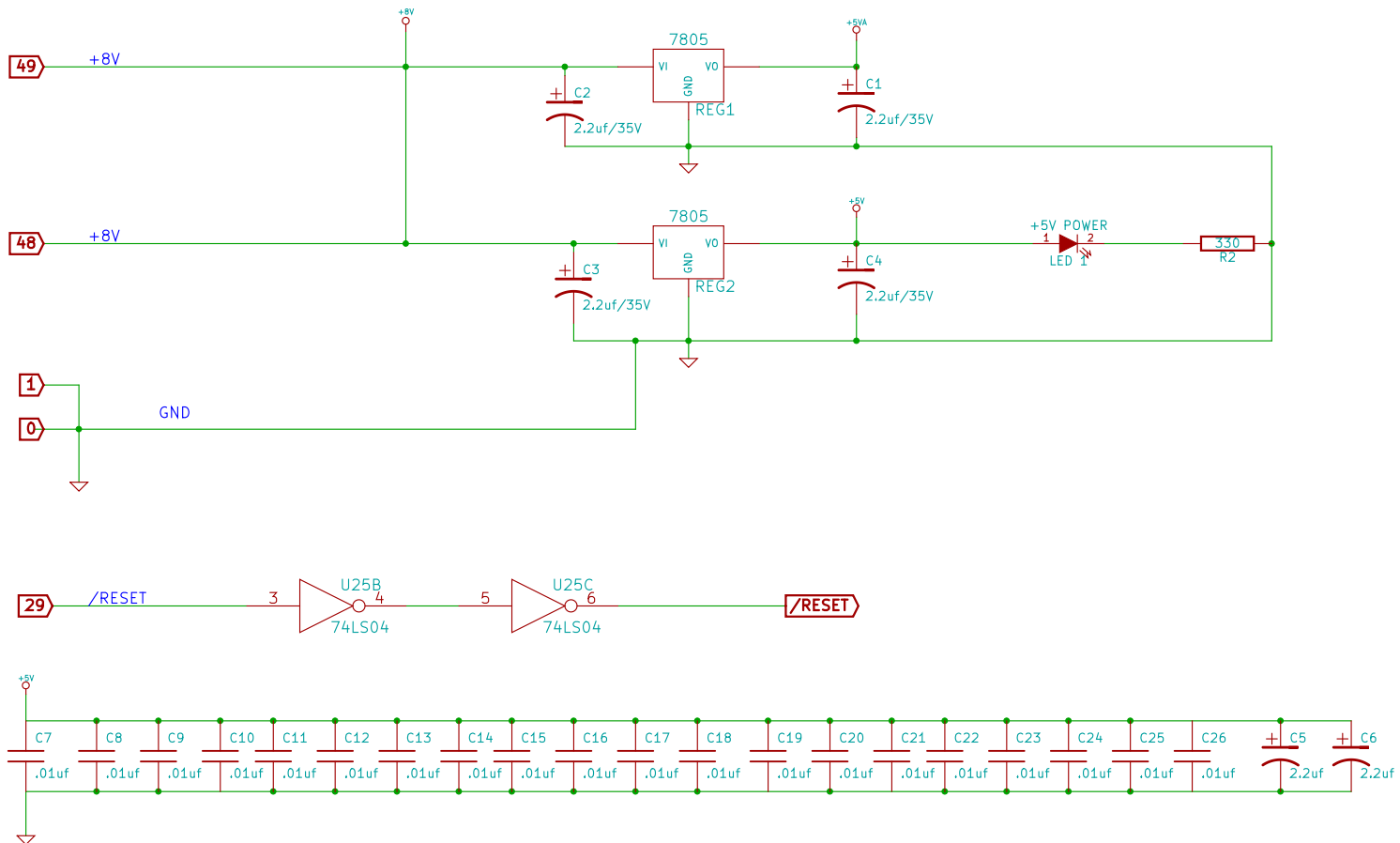




Note: All signals are active low and all odd pins are connected to ground.
 The signals lines are terminated with 220 ohms to +5 volts and 330 ohms to ground.

Copyright Norberto Collado © 2010	
KOYADO.COM	
File: H8-Z67 Schematics - SASI BUS.sch	
Sheet: /	
Title: SASI Controller.sch	
Size: A4	Date: 10 apr 2011
KiCad E.D.A. eeschema (20100217 RC3)-RC3a	Rev: 1.2
	Id: 1/1

HEATHKIT H8 BUS



H8-Z67	
Copyright Norberto Collado © 2010	
KOYADO.COM	
File: H8-Z67 Schematics - POWER.sch	
Sheet: /	
Title: POWER /RESET.sch	
Size: A4	Date: 9 jan 2011
KiCad E.D.A.	eeschema (20100217 RC3)-RC3a
	Rev: 1.0
	Id: 1/1

H8-Z67 SASI CONTROLLER

