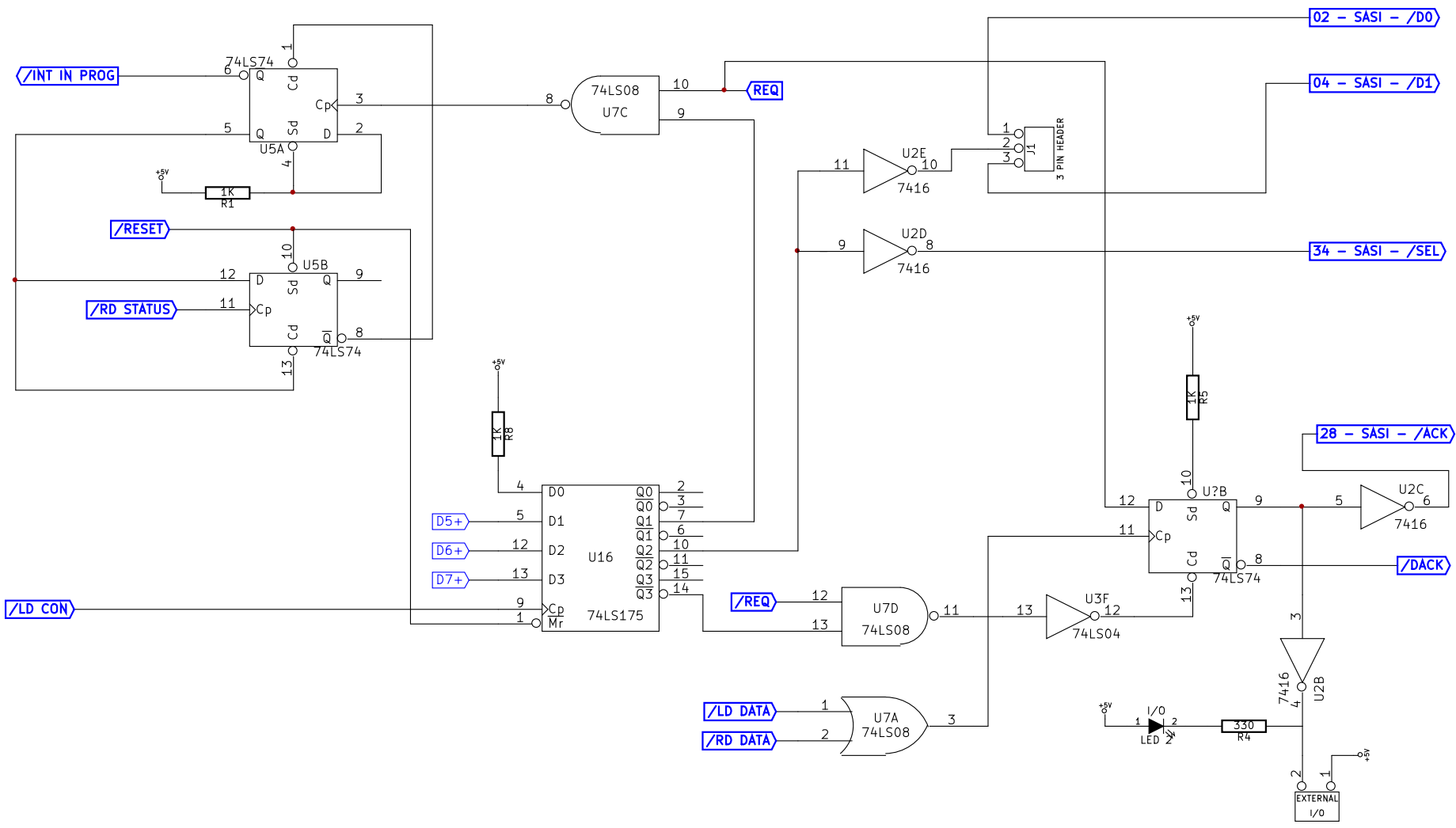
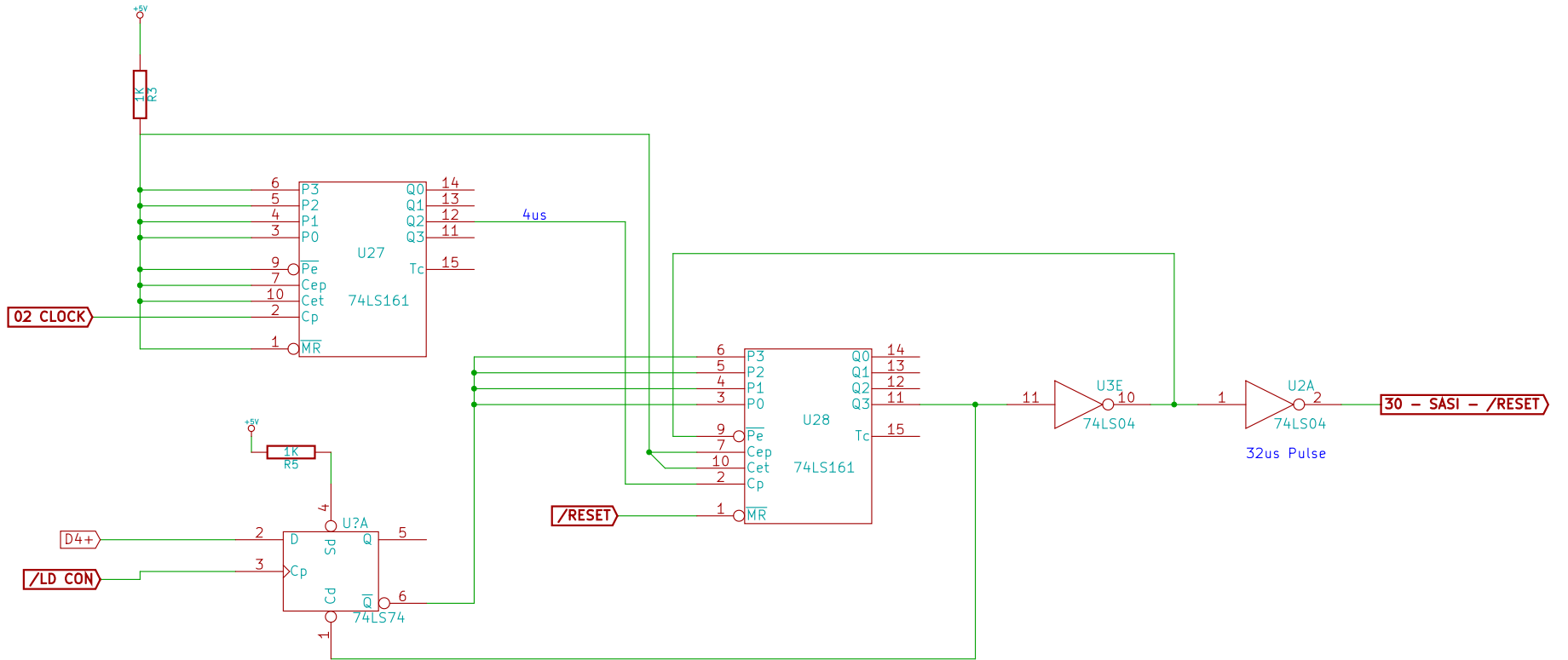


Note: Port 170Q is the default port when combining the H8-Z67 Controller with the H8-H17 Controller.  
 Port 270Q is used when combining the H8-Z67 Controller along with the H8-H17 and the H8-Z37 Controllers.  
 Port 174Q is used when combining the H8-Z67 with the H8-Z37 controllers.

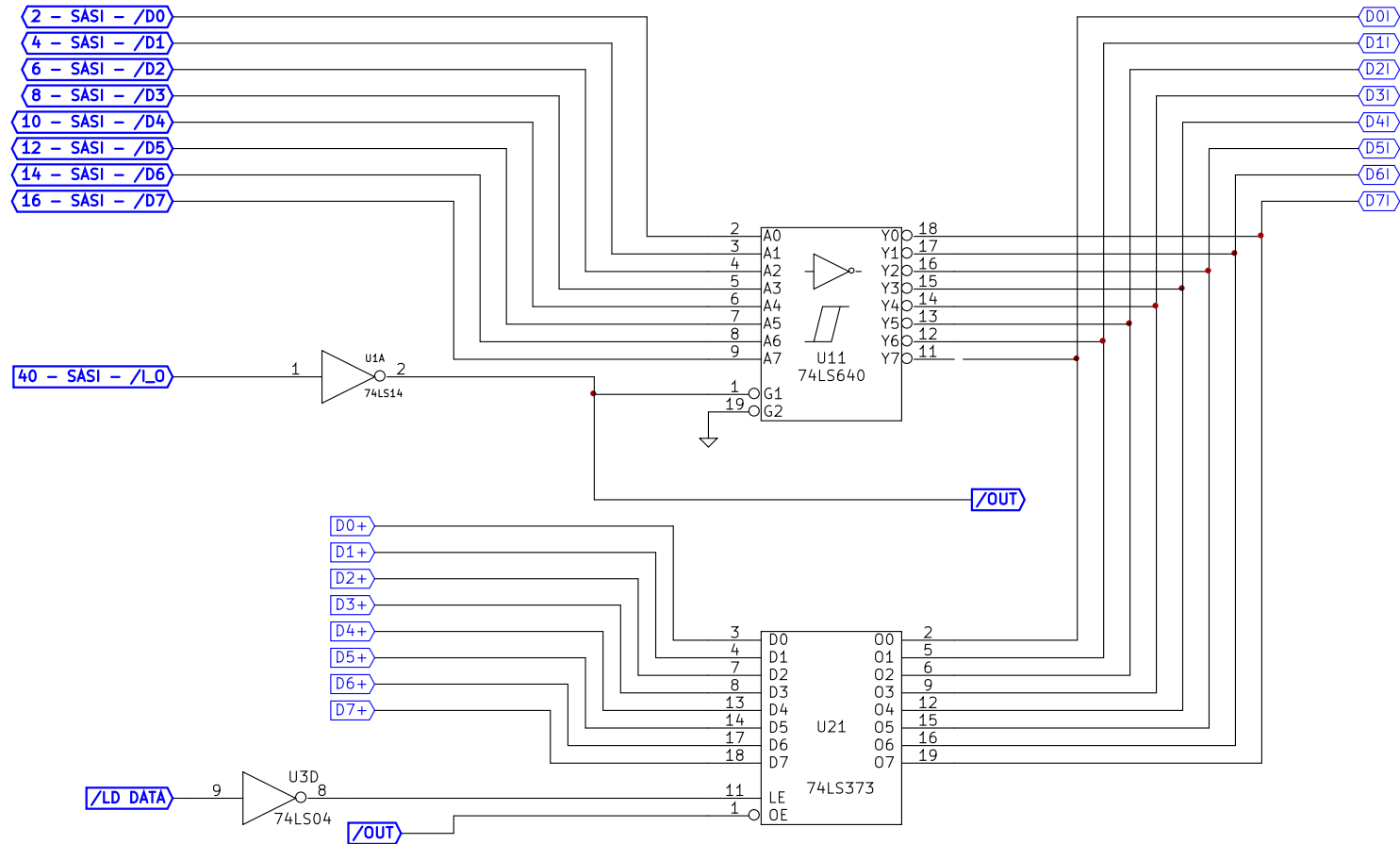
H8-Z67 CONTROLLER	
Copyright Norberto Collado © 2010	
KOYADO.COM	
File: H8-Z67 Schematics - ADDRESS DECODER.sch	
Sheet: /	
<b>Title: ADDRESS BUFFER.sch</b>	
Size: A4	Date: 2 jan 2013
KiCad E.D.A.	eeschema (2012-01-19 BZR 3256)-stable
	Rev: 1.0
	Id: 1/1



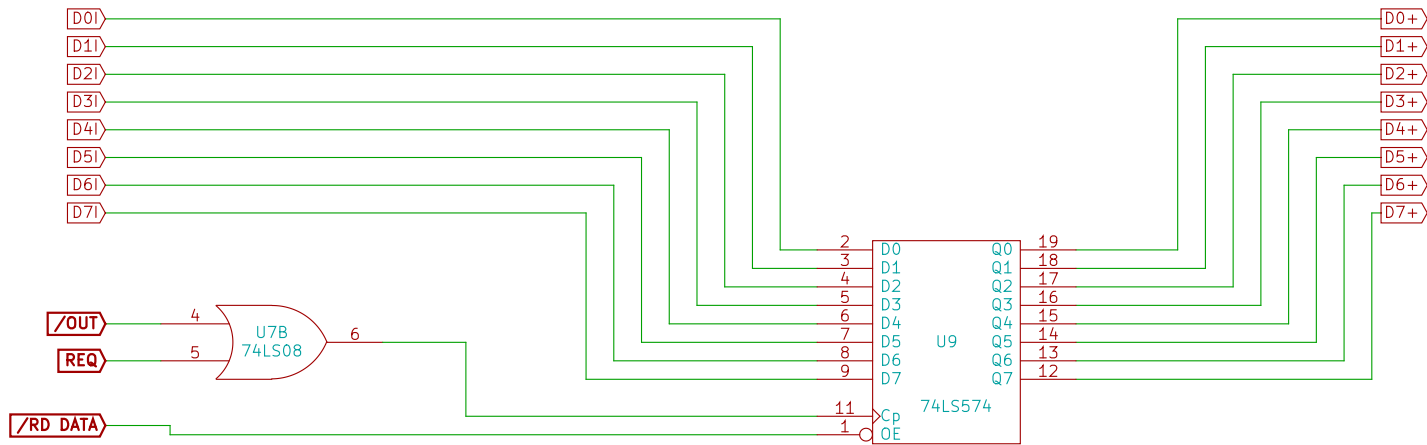
H8-Z67 CONTROLLER  
 Copyright Norberto Collado © 2010  
**KOYADO.COM**  
 File: H8-Z67 Schematics - SASI CONTROL LATCH.sch  
 Sheet: /  
**Title: READ SWITCH.sch**  
 Size: A4 Date: 26 jan 2013 **Rev: 1.0**  
 KiCad E.D.A. eeschema (2012-01-19 BZR 3256)-stable Id: 1/1



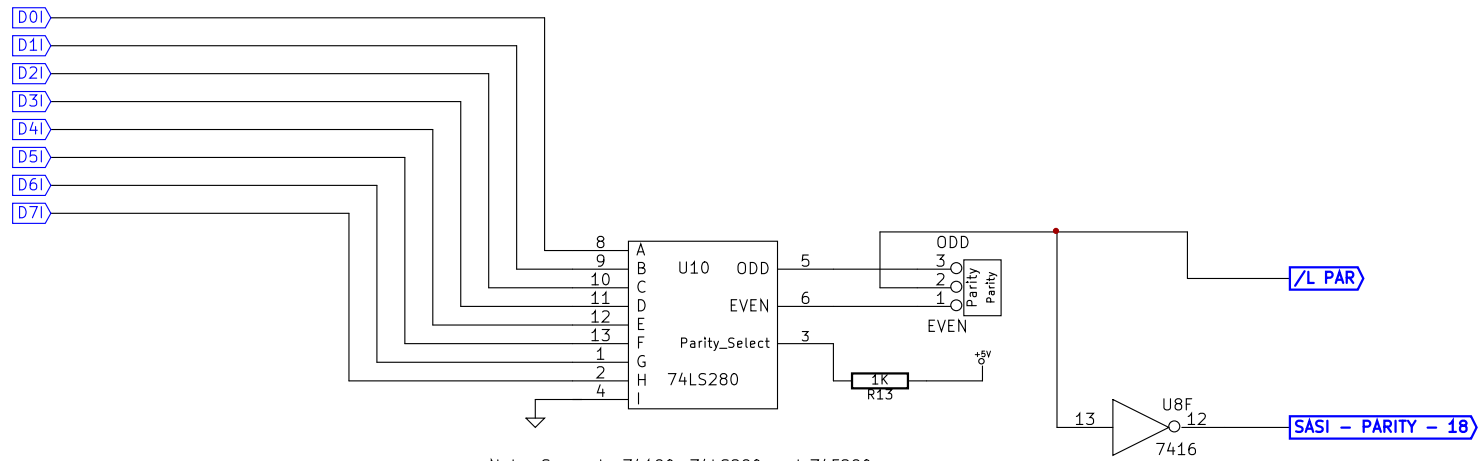
H8-Z67 CONTROLLER		
Copyright Norberto Collado © 2010		
KOYADO.COM		
File: H8-Z67 Schematics - SASI RESET 32us.sch		
Sheet: /		
Title: READ SWITCH.sch		
Size: A4	Date: 9 jan 2011	Rev: 1.0
KiCad E.D.A. eeschema (20100217 RC3)-RC3a		Id: 1/1



H8-Z67 CONTROLLER		
Copyright Norberto Collado © 2010		
KOYADO.COM		
File: H8-Z67 Schematics - LOAD SASI DATA.sch		
Sheet: /		
<b>Title: WRITE DATA.sch</b>		
Size: A4	Date: 1 jan 2013	Rev: 1.0
KiCad E.D.A.	eescema (2012-01-19 BZR 3256)-stable	Id: 1/1

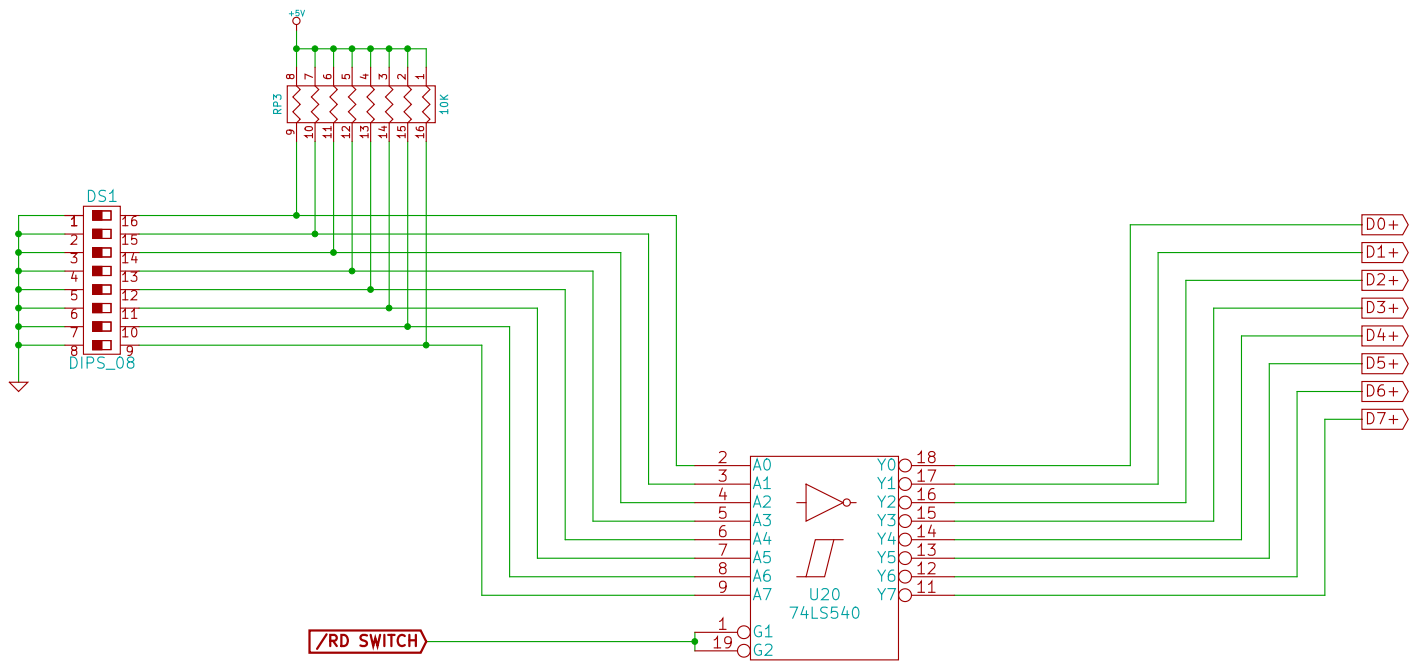


H8-Z67 CONTROLLER		
Copyright Norberto Collado © 2010		
KOYADO.COM		
File: H8-Z67 Schematics - READ SASI DATA.sch		
Sheet: /		
Title: READ DATA.sch		
Size: A4	Date: 9 jan 2011	Rev: 1.0
KiCad E.D.A. eeschema (20100217 RC3)-RC3a		Id: 1/1



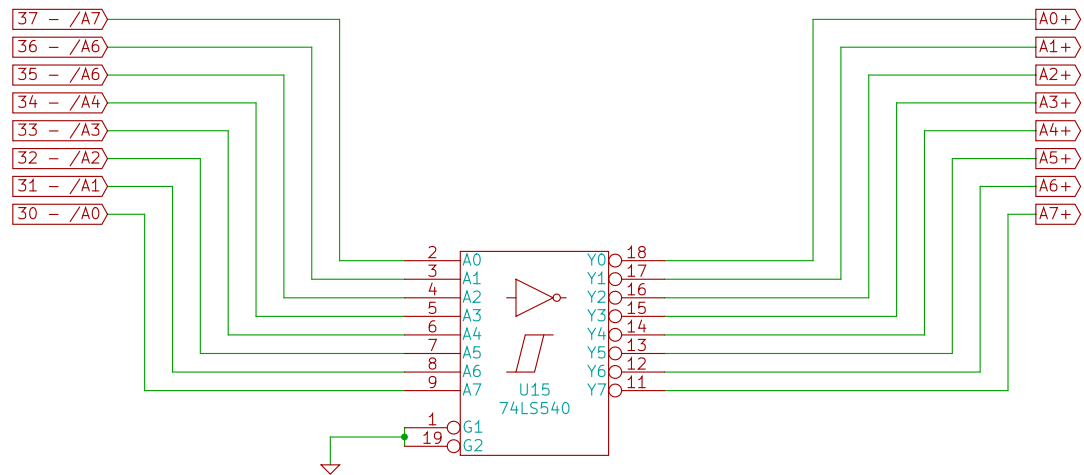
Note: Supports 74180, 74LS280 and 74F280.

H8-Z67 CONTROLLER		
Copyright Norberto Collado © 2010		
KOYADO.COM		
File: H8-Z67 Schematics_Page4.sch		
Sheet: /		
<b>Title: PARITY GENERATOR.sch</b>		
Size: A4	Date: 2 jan 2013	Rev: 1.0
KiCad E.D.A.	eeschema (2012-01-19 BZR 3256)-stable	Id: 1/1



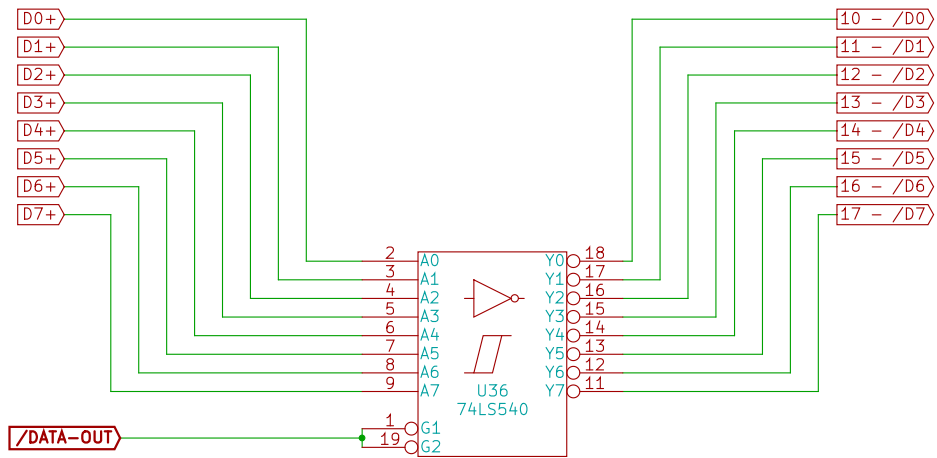
H8-Z67 CONTROLLER		
Copyright Norberto Collado © 2010		
KOYADO.COM		
File: H8-Z67 Schematics - READ SWITCH.sch		
Sheet: /		
Title: READ SWITCH.sch		
Size: A4	Date: 8 jan 2011	Rev: 1.0
KiCad E.D.A. eeschema (20100217 RC3)-RC3a		Id: 1/1

# HEATHKIT H8 BUS



H8-Z67 CONTROLLER		
Copyright Norberto Collado © 2010		
KOYADO.COM		
File: H8-Z67 Schematics - ADDRESS BUFFER.sch		
Sheet: /		
<b>Title: ADDRESS BUFFER.sch</b>		
Size: A4	Date: 6 jan 2011	Rev: 1.0
KiCad E.D.A.	eeschema (20100217 RC3)-RC3a	Id: 1/1

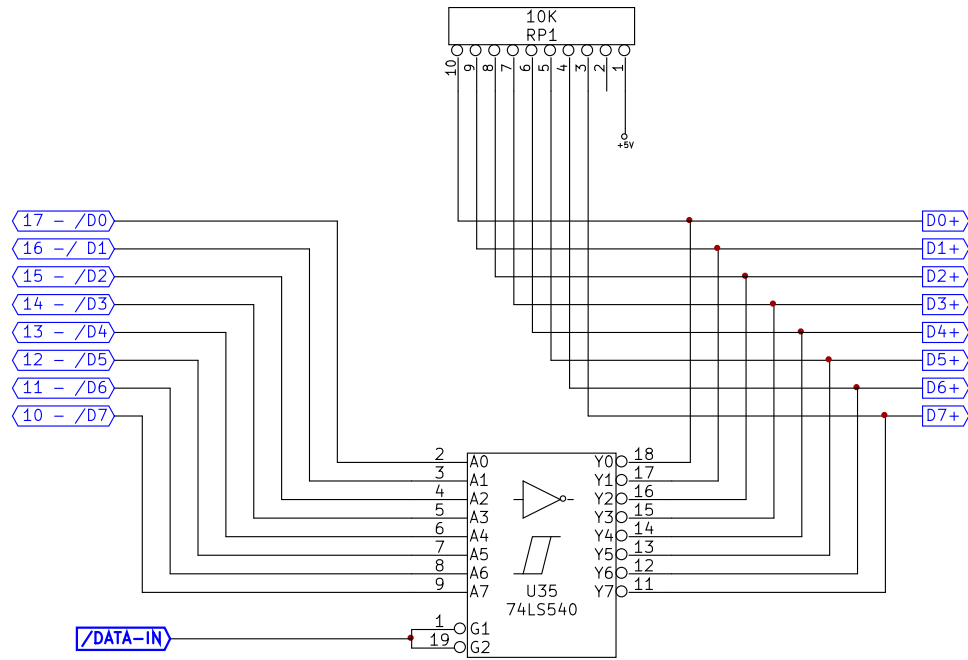




HEATHKIT H8 BUS

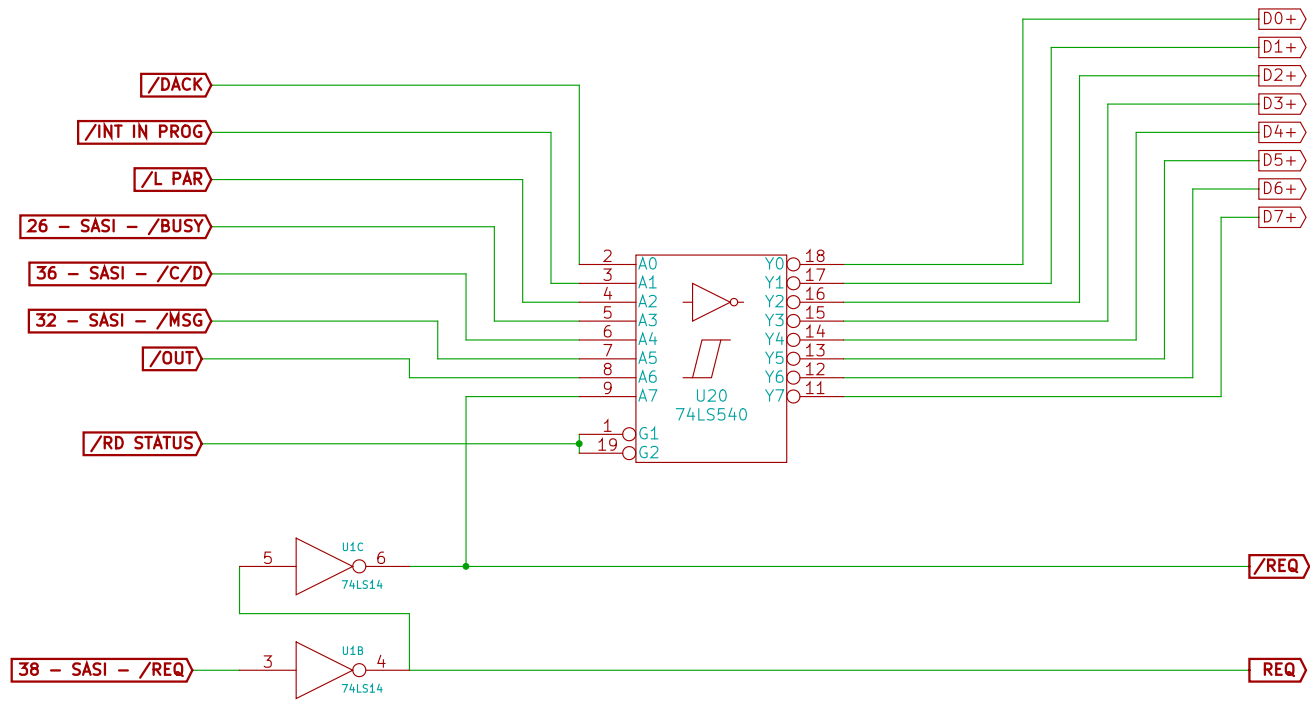
H8-Z67 CONTROLLER		
Copyright Norberto Collado © 2010		
KOYADO.COM		
File: H8-Z67 Schematics - DATA-OUT.sch		
Sheet: /		
Title: DATA-OUT BUFFER.sch		
Size: A4	Date: 6 jan 2011	Rev: 1.0
KiCad E.D.A. eeschema (20100217 RC3)-RC3a		Id: 1/1

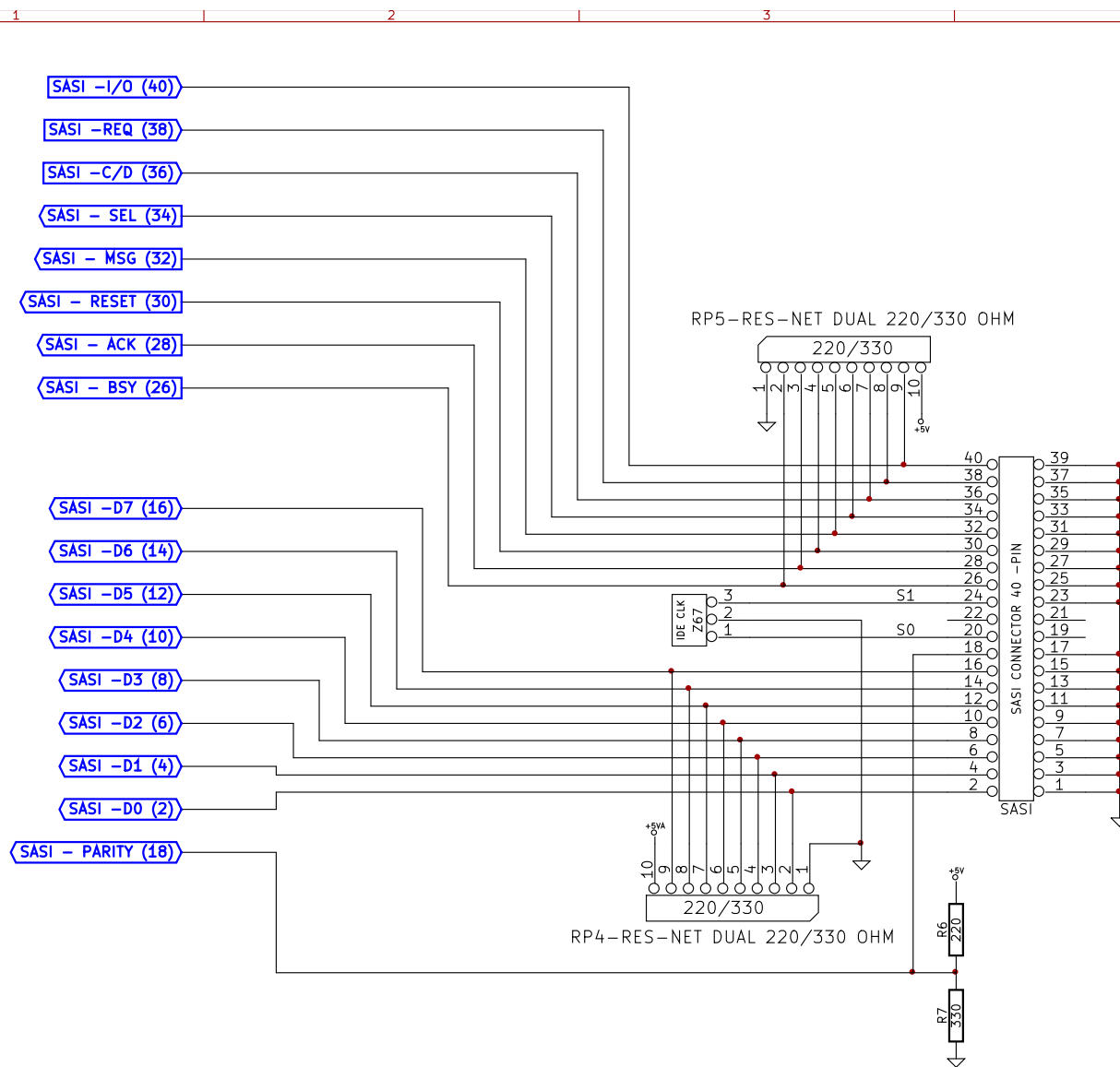
# HEATHKIT H8 BUS



H8-Z67 CONTROLLER  
 Copyright Norberto Collado © 2010  
**KOYADO.COM**  
 File: H8-Z67 Schematics.sch  
 Sheet: /

<b>Title: DATA-IN BUFFER.sch</b>		
Size: A4	Date: 1 jan 2013	<b>Rev: 1.0</b>
KiCad E.D.A. eeschema (2012-01-19 BZR 3256)-stable		Id: 1/1





Note: All signals are active low and all odd pins are connected to ground.  
The signals lines are terminated with 220 ohms to +5 volts and 330 ohms to ground.

Copyright Norberto Collado © 2010

**KOYADO.COM**

File: H8-Z67 Schematics - SASI BUS.sch

Sheet: /

**Title: SASI Controller.sch**

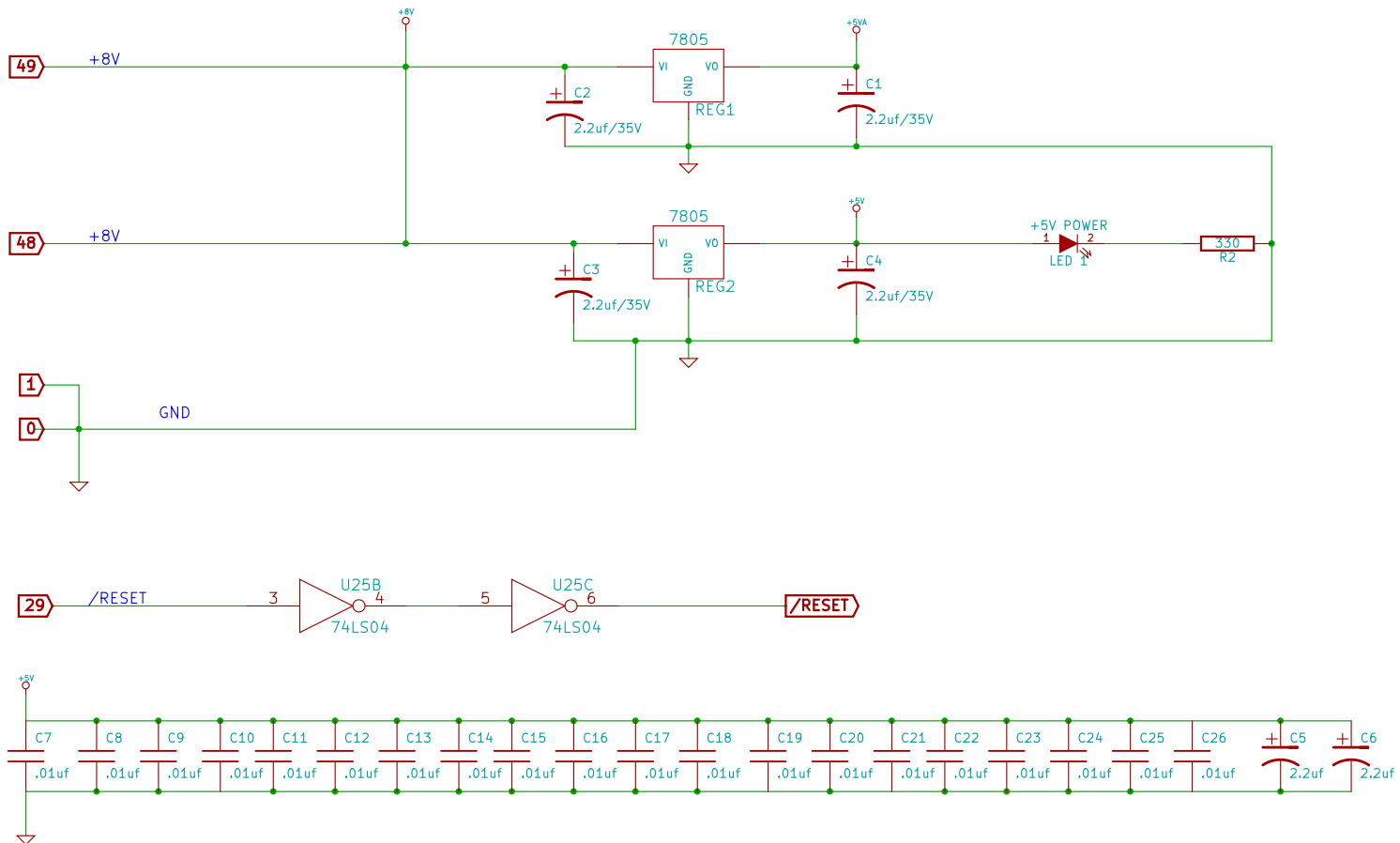
Size: A4 Date: 1 jan 2013

**Rev: 1.2**

KiCad E.D.A. eeschema (2012-01-19 BZR 3256)-stable

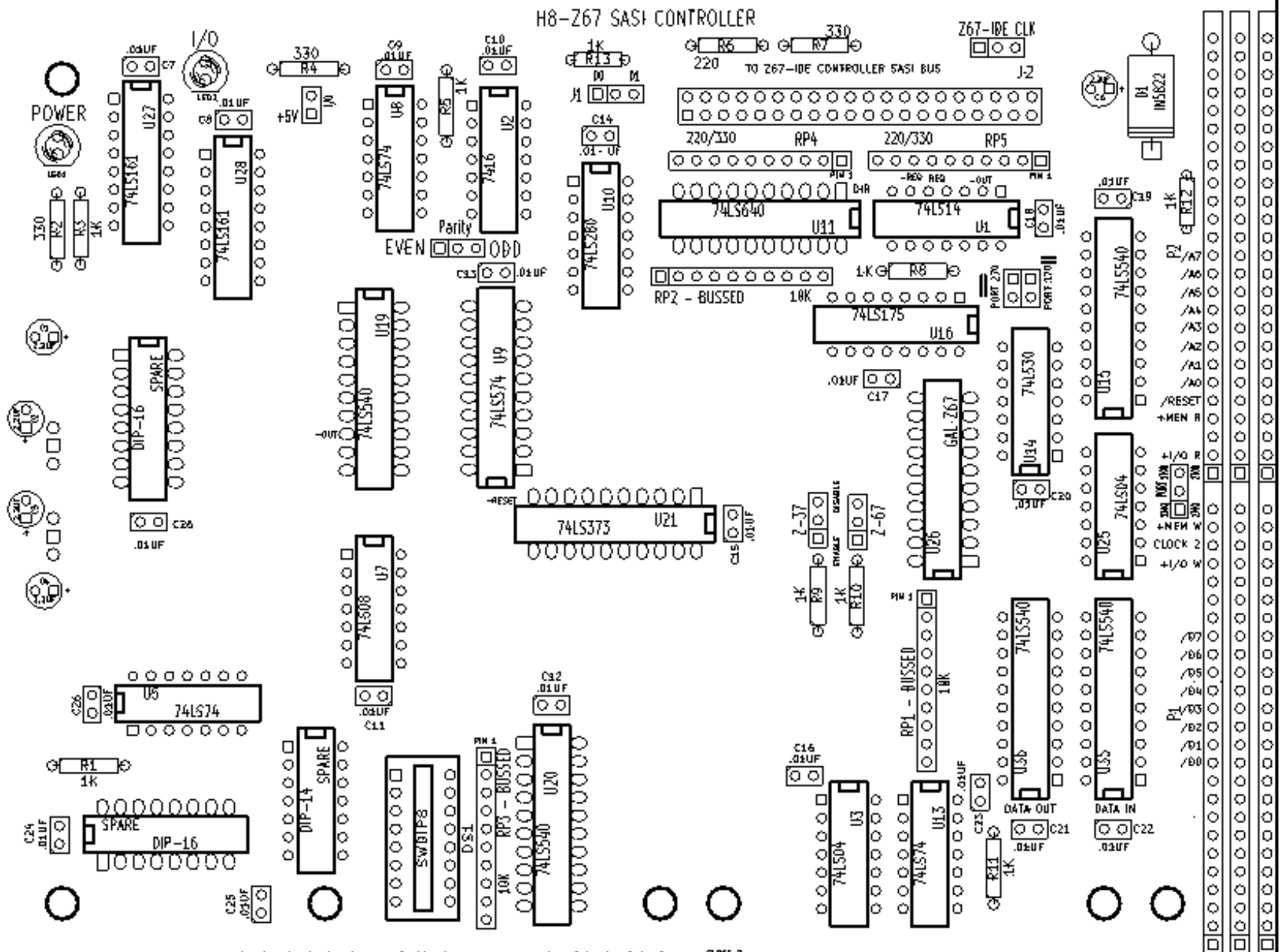
Id: 1/1

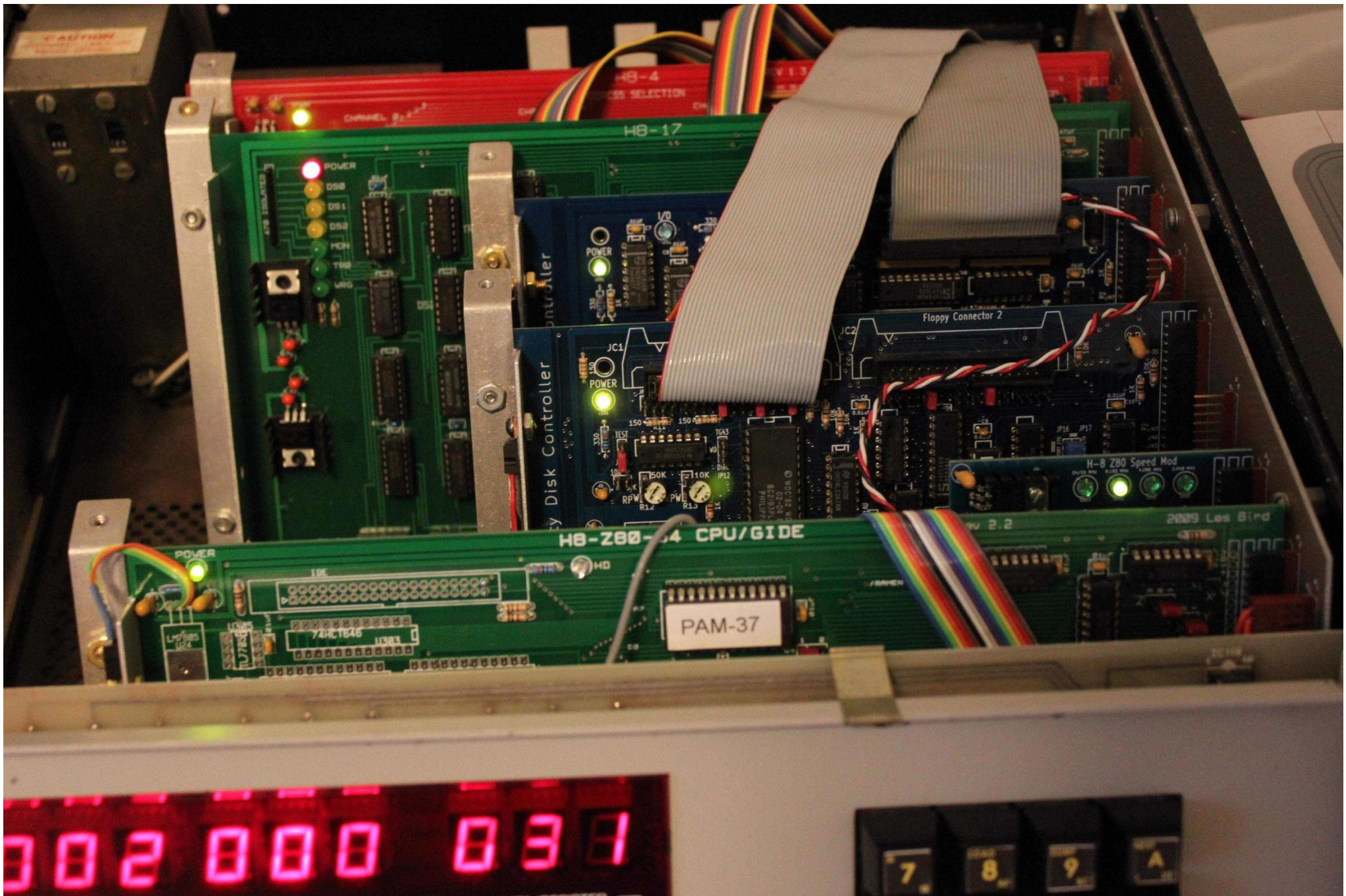
# HEATHKIT H8 BUS



H8-Z67	
Copyright Norberto Collado © 2010	
KOYADO.COM	
File: H8-Z67 Schematics - POWER.sch	
Sheet: /	
Title: POWER /RESET.sch	
Size: A4	Date: 9 jan 2011
KiCad E.D.A.	eeschema (20100217 RC3)-RC3a
	Rev: 1.0
	Id: 1/1

# H8-Z67 Hard Drive SASI Controller





# H8-Z67 Hard Drive SASI Controller

## H8-Z67 SASI CONTROLLER

POWER

I/O

DIP-16 SPARE

DIP-16 SPARE

DIP-14 SPARE

DIP-16 SPARE

DS1

RP3 - BUSSED

74F540N

74F540N

74F540N

74F540N

74F540N

74F540N

74F540N

74F540N

74F540N

74F540N

74F540N

74F540N

74F540N

74F540N

74F540N

74F540N

74F540N

74F540N

Norberto \ Ivelisse Collado © copyright 2010-2012

CLOCK 2

Rev 1.3 10/31/2012

P1 /D0 /D1 /D2 /D3 /D4 /D5 /D6 /D7  
+I/O V  
CLOCK 2  
+MEM W  
+MEM R  
/RESET  
/A0 /A1 /A2 /A3 /A4 /A5 /A6 /A7  
P2

P1  
/D0  
/D1  
/D2  
/D3  
/D4  
/D5  
/D6  
/D7  
+I/O V  
+MEM W  
+MEM R  
/RESET  
/A0  
/A1  
/A2  
/A3  
/A4  
/A5  
/A6  
/A7  
P2