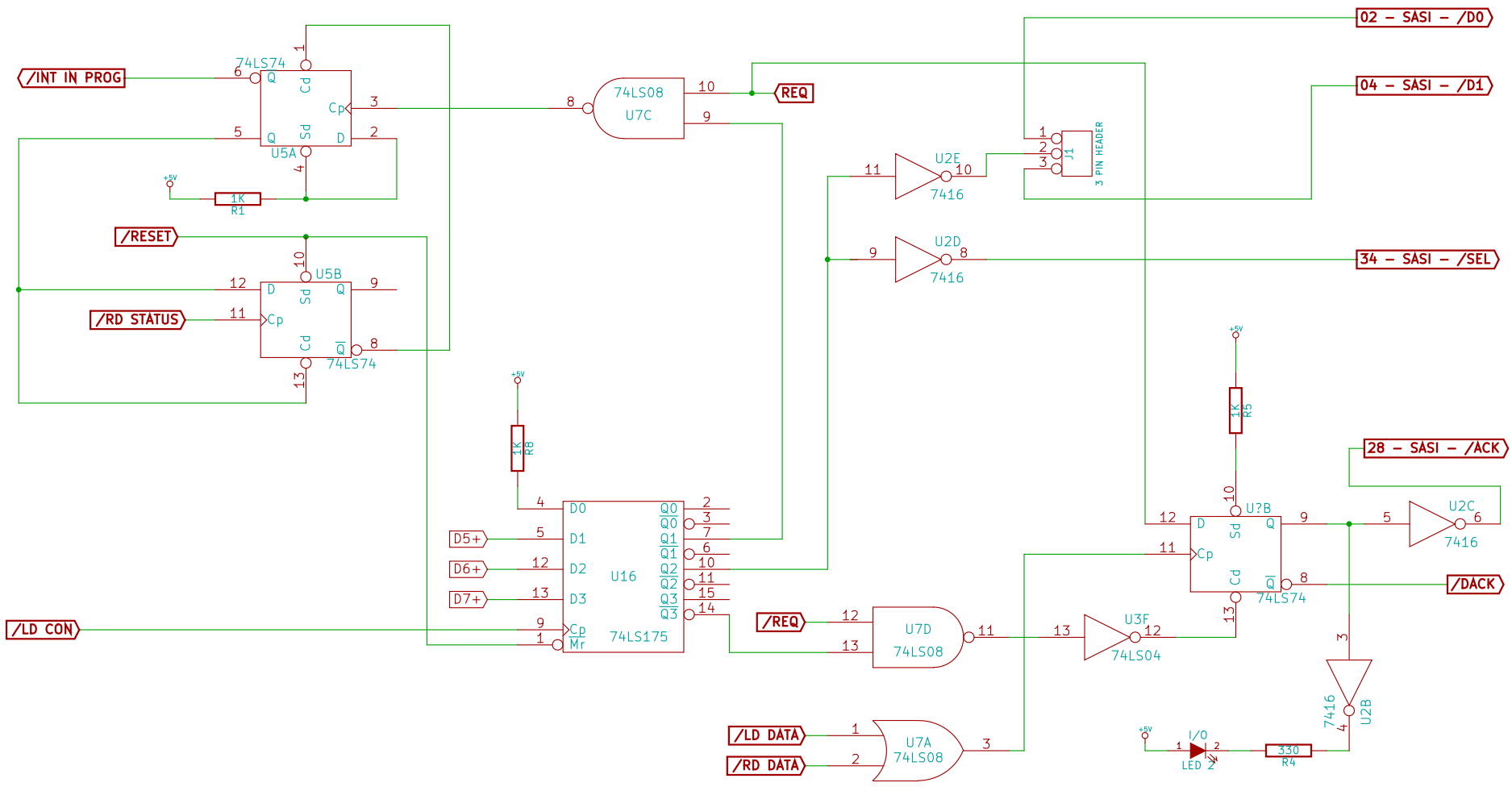
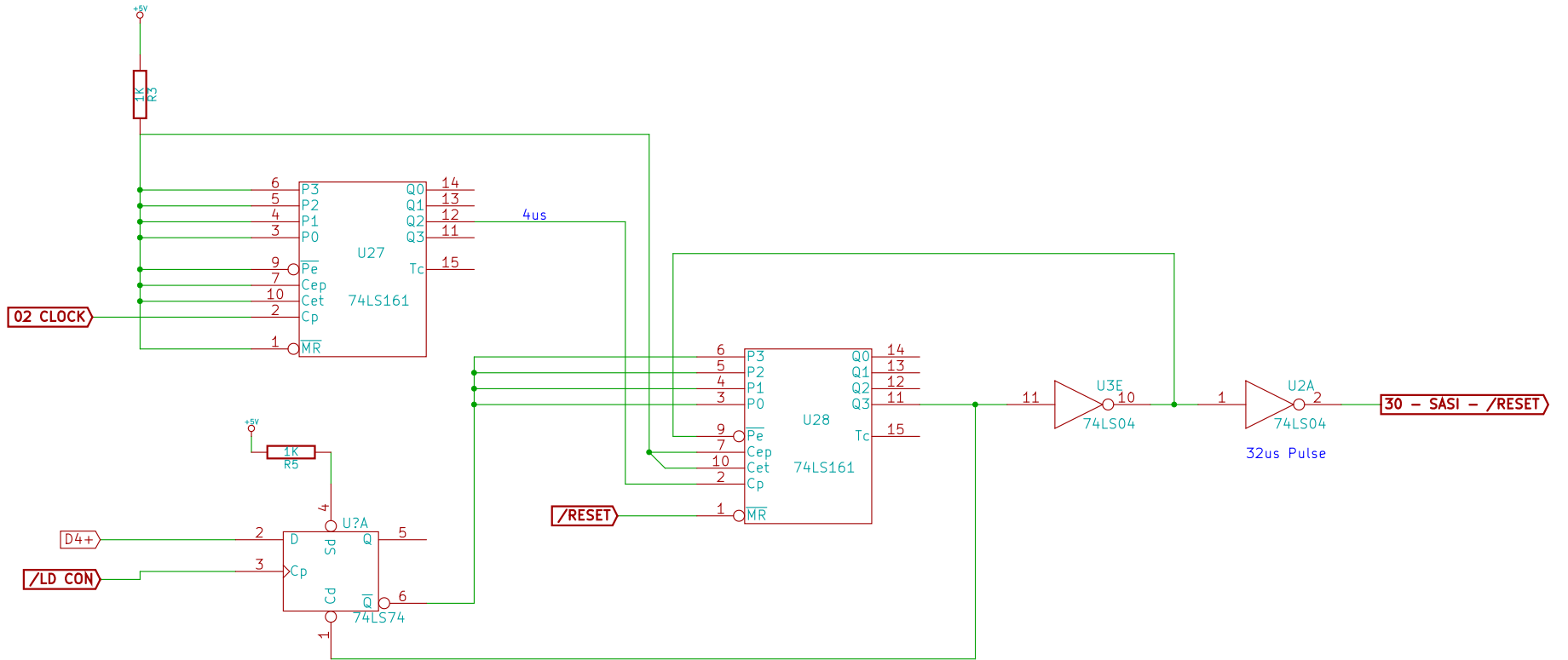


Note: Port 170Q is the default port when combining the H8-Z67 Controller with the H8-H17 Controller.  
 Port 270Q is used when combining the WH8-Z37 Controller with the H8-Z67 Controller.

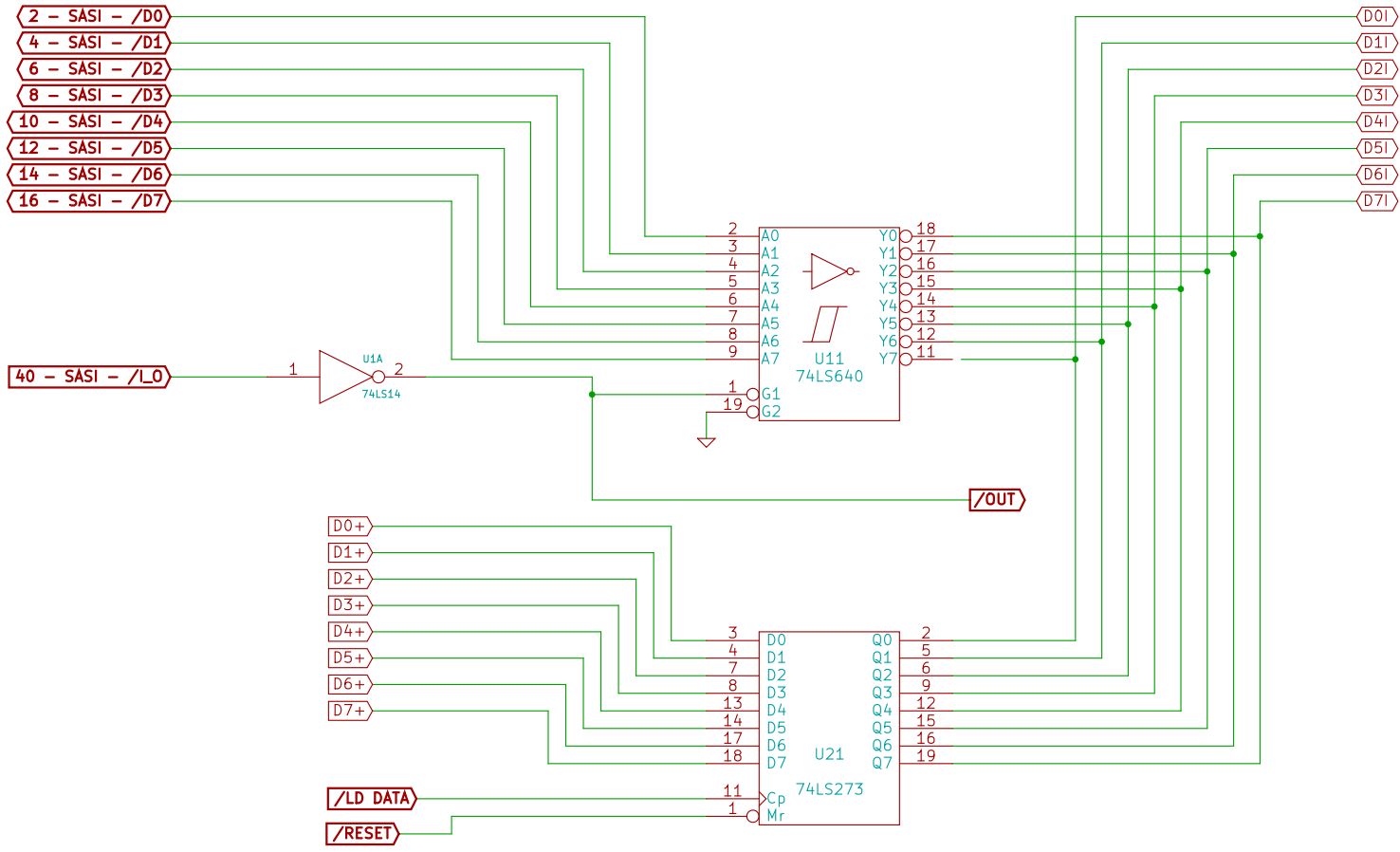
H8-Z67 CONTROLLER		
Copyright Norberto Collado © 2010		
KOYADO.COM		
File: H8-Z67 Schematics - ADDRESS DECODER.sch		
Sheet: /		
<b>Title: ADDRESS BUFFER.sch</b>		
Size: A4	Date: 8 Jan 2011	<b>Rev: 1.0</b>
KiCad E.D.A. eschema (20100217 RC3)-RC3a		Id: 1/1



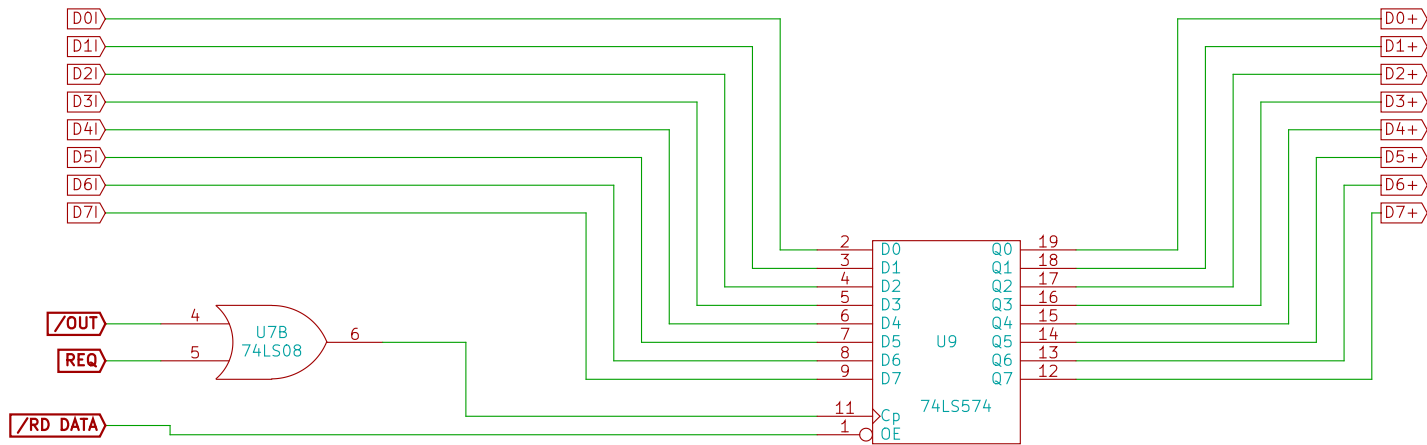
H8-Z67 CONTROLLER  
 Copyright Norberto Collado © 2010  
**KOYADO.COM**  
 File: H8-Z67 Schematics - SASI CONTROL LATCH.sch  
 Sheet: /  
**Title: READ SWITCH.sch**  
 Size: A4      Date: 9 jan 2011      **Rev: 1.0**  
 KiCad E.D.A.    eeschema (20100217 RC3)-RC3a      Id: 1/1



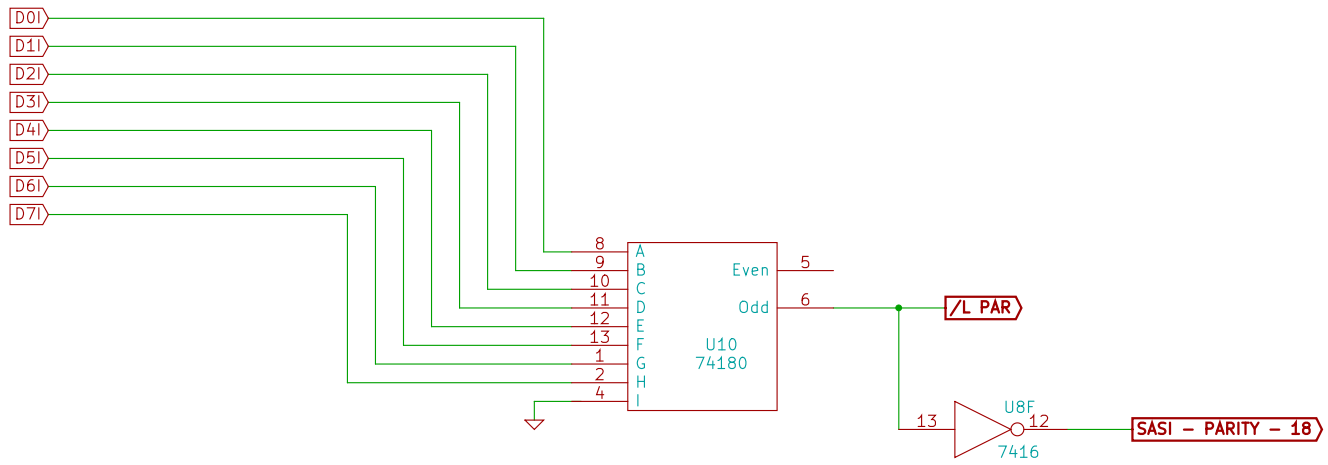
H8-Z67 CONTROLLER		
Copyright Norberto Collado © 2010		
KOYADO.COM		
File: H8-Z67 Schematics - SASI RESET 32us.sch		
Sheet: /		
Title: READ SWITCH.sch		
Size: A4	Date: 9 jan 2011	Rev: 1.0
KiCad E.D.A. eeschema (20100217 RC3)-RC3a		Id: 1/1



H8-Z67 CONTROLLER		
Copyright Norberto Collado © 2010		
KOYADO.COM		
File: H8-Z67 Schematics - LOAD SASI DATA.sch		
Sheet: /		
<b>Title: WRITE DATA.sch</b>		
Size: A4	Date: 6 jan 2011	<b>Rev: 1.0</b>
KiCad E.D.A.	eeschema (20100217 RC3)-RC3a	Id: 1/1

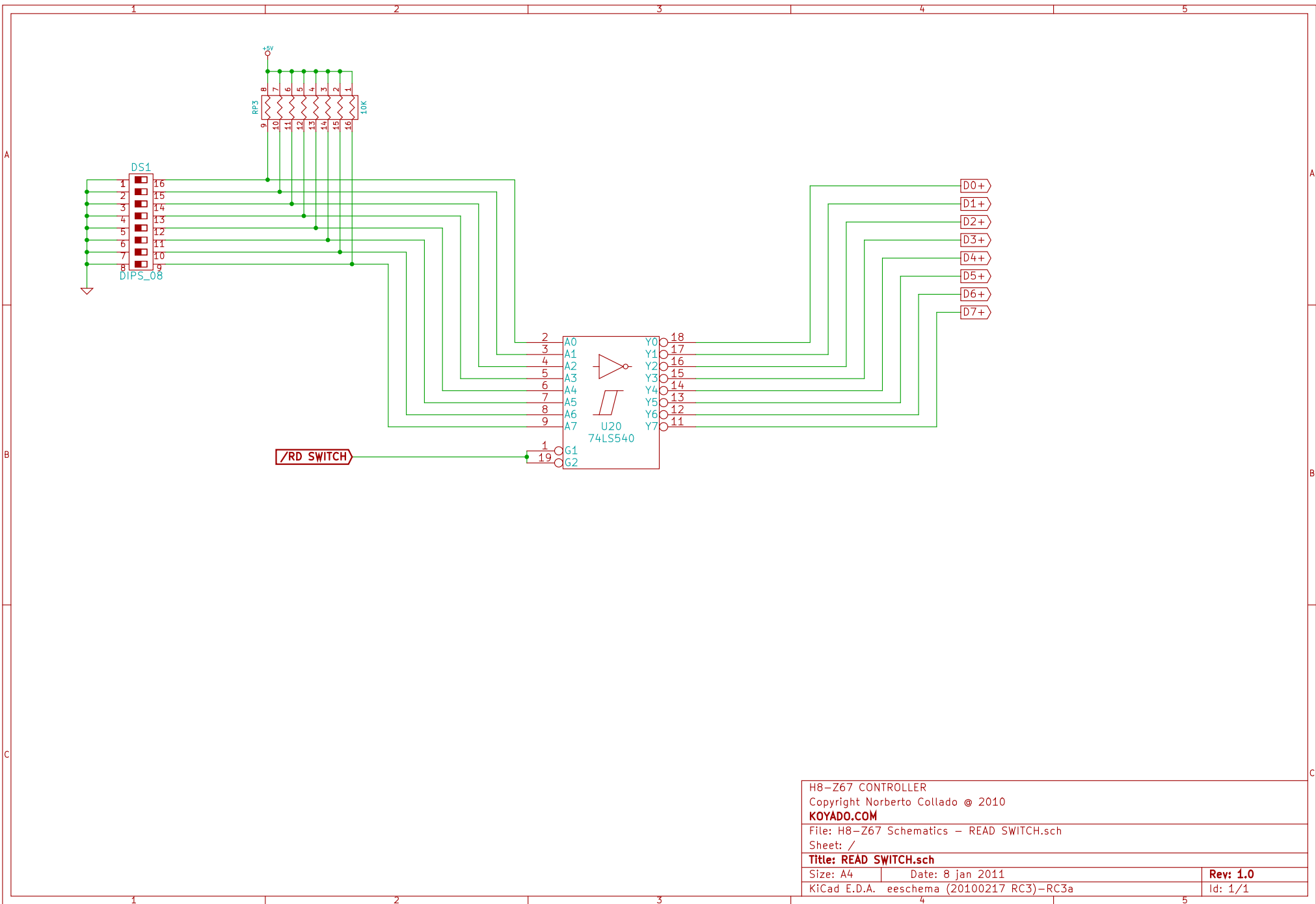


H8-Z67 CONTROLLER		
Copyright Norberto Collado © 2010		
KOYADO.COM		
File: H8-Z67 Schematics - READ SASI DATA.sch		
Sheet: /		
Title: READ DATA.sch		
Size: A4	Date: 9 jan 2011	Rev: 1.0
KiCad E.D.A.	eeschema (20100217 RC3)-RC3a	Id: 1/1



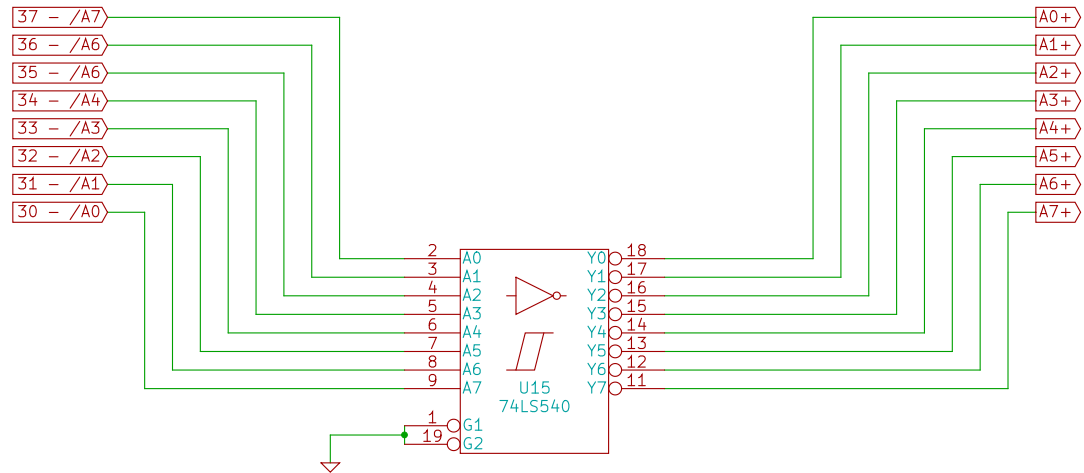
Note: Please do not substitute 74180 IC with the 74LS280 IC. The H8-Z67 board does not support the 74LS280 IC.

H8-Z67 CONTROLLER		
Copyright Norberto Collado © 2010		
KOYADO.COM		
File: H8-Z67 Schematics - SASI PARITY GENERATOR.sch		
Sheet: /		
Title: PARITY GENERATOR.sch		
Size: A4	Date: 9 jan 2011	Rev: 1.0
KiCad E.D.A. eeschema (20100217 RC3)-RC3a		Id: 1/1



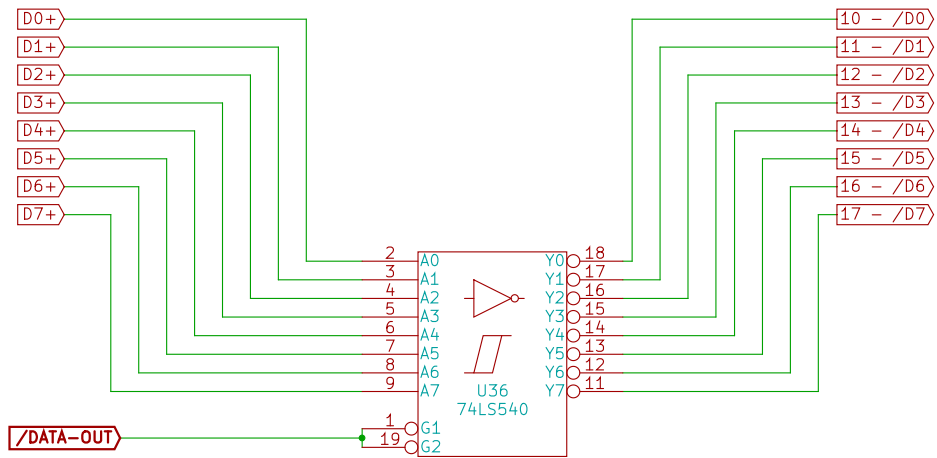
H8-Z67 CONTROLLER		
Copyright Norberto Collado © 2010		
KOYADO.COM		
File: H8-Z67 Schematics - READ SWITCH.sch		
Sheet: /		
Title: READ SWITCH.sch		
Size: A4	Date: 8 jan 2011	Rev: 1.0
KiCad E.D.A. eeschema (20100217 RC3)-RC3a		Id: 1/1

# HEATHKIT H8 BUS



H8-Z67 CONTROLLER		
Copyright Norberto Collado © 2010		
KOYADO.COM		
File: H8-Z67 Schematics - ADDRESS BUFFER.sch		
Sheet: /		
<b>Title: ADDRESS BUFFER.sch</b>		
Size: A4	Date: 6 jan 2011	Rev: 1.0
KiCad E.D.A.	eeschema (20100217 RC3)-RC3a	Id: 1/1

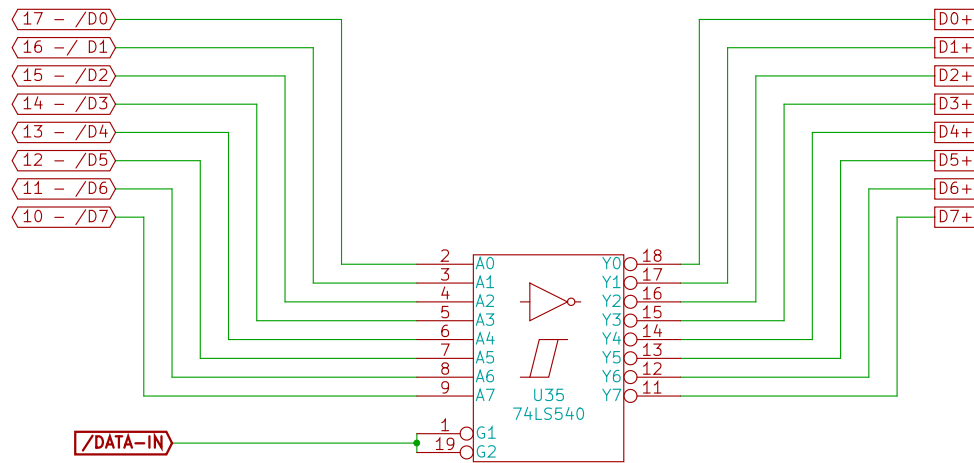




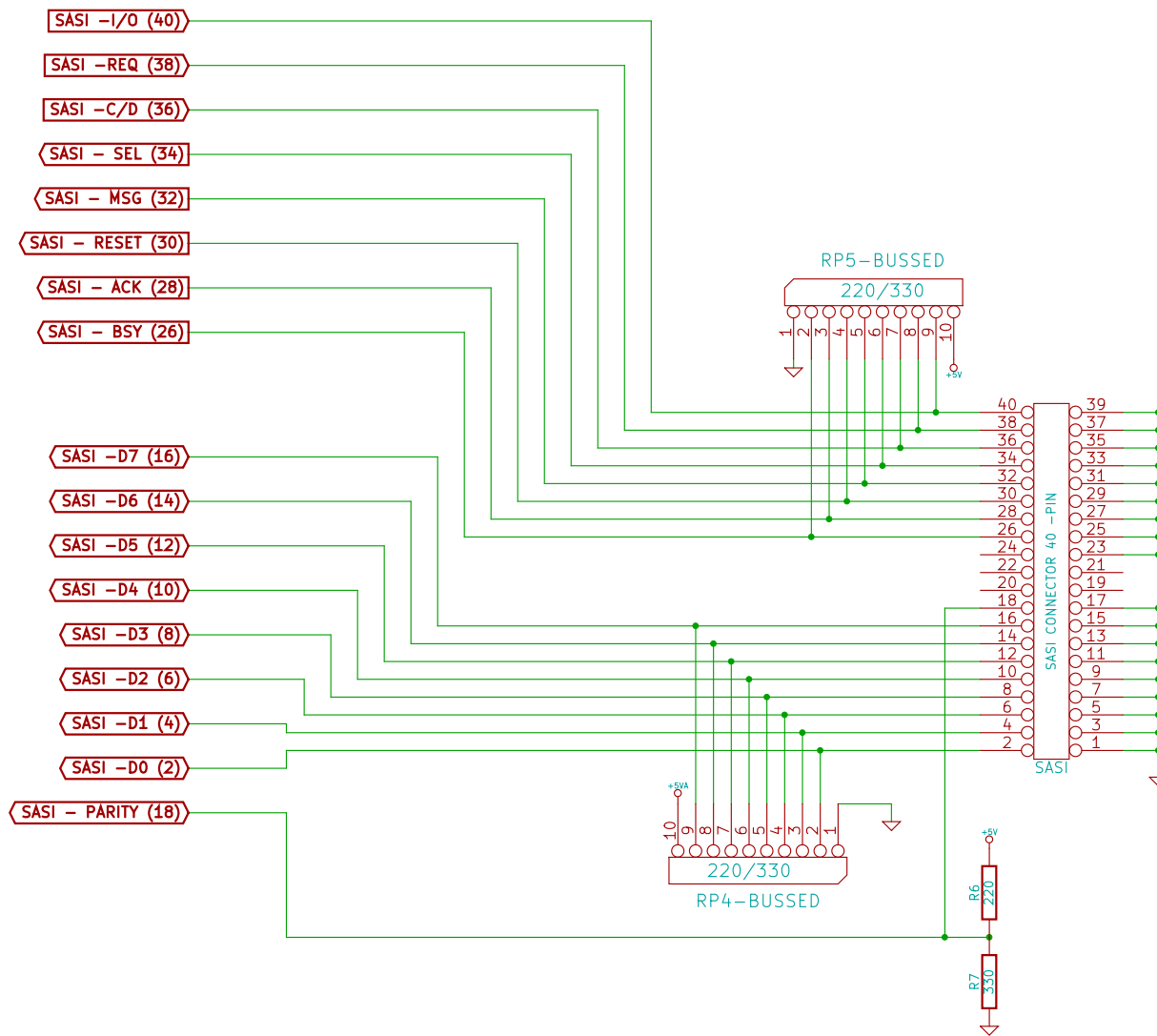
HEATHKIT H8 BUS

H8-Z67 CONTROLLER		
Copyright Norberto Collado © 2010		
KOYADO.COM		
File: H8-Z67 Schematics - DATA-OUT.sch		
Sheet: /		
Title: DATA-OUT BUFFER.sch		
Size: A4	Date: 6 jan 2011	Rev: 1.0
KiCad E.D.A. eeschema (20100217 RC3)-RC3a		Id: 1/1

# HEATHKIT H8 BUS



H8-Z67 CONTROLLER	
Copyright Norberto Collado © 2010	
KOYADO.COM	
File: H8-Z67 Schematics - DATA-IN.sch	
Sheet: /	
<b>Title: DATA-IN BUFFER.sch</b>	
Size: A4	Date: 6 jan 2011
KiCad E.D.A. eeschema (20100217 RC3)-RC3a	Rev: 1.0
	Id: 1/1



Note: All signals are active low and all odd pins are connected to ground.  
 The signals lines are terminated with 220 ohms to +5 volts and 330 ohms to ground.

Copyright Norberto Collado © 2010

**KOYADO.COM**

File: H8-Z67 Schematics - SASI BUS.sch

Sheet: /

**Title: SASI Controller.sch**

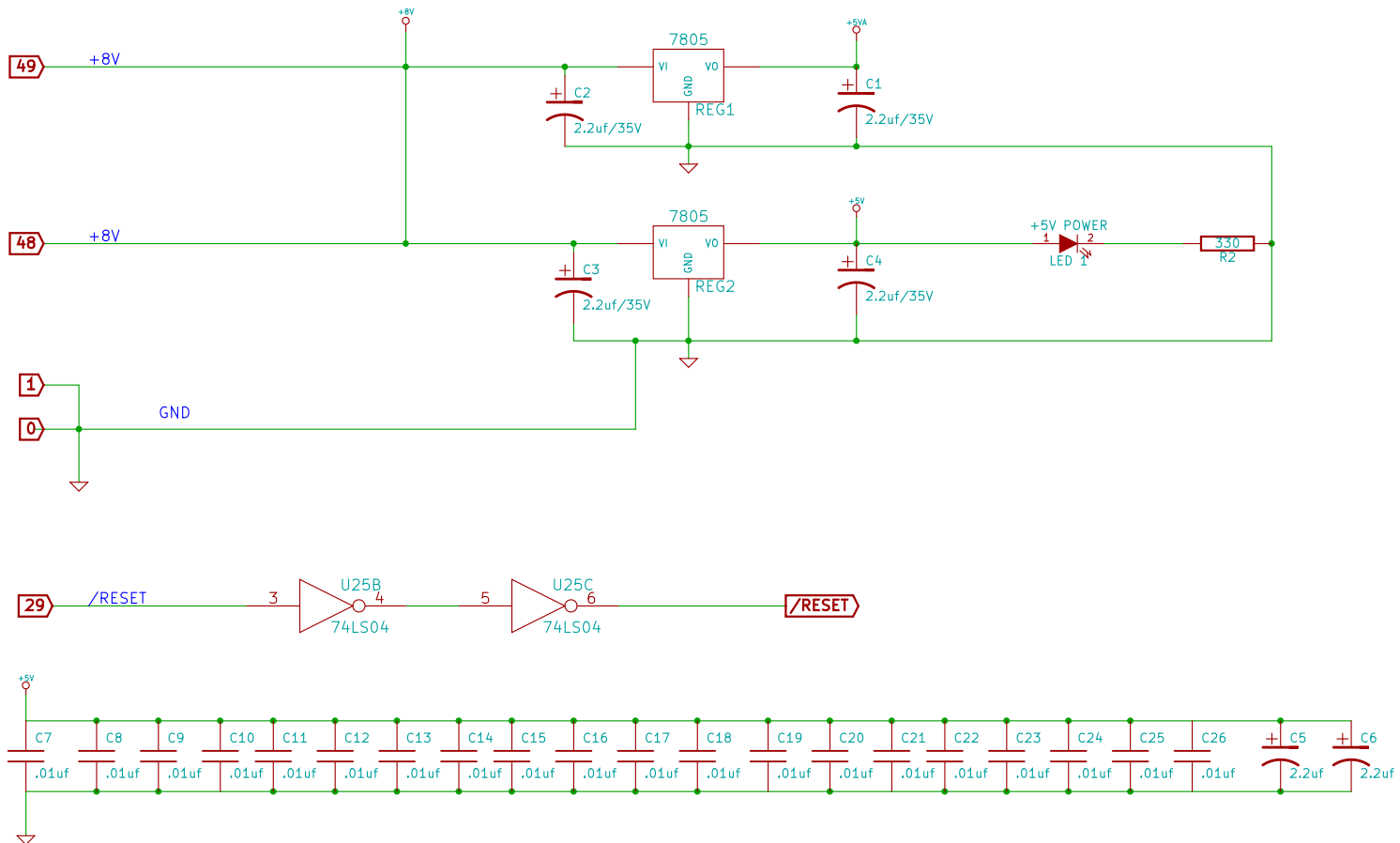
Size: A4 Date: 8 jan 2011

**Rev: 1.2**

KiCad E.D.A. eeschema (20100217 RC3)-RC3a

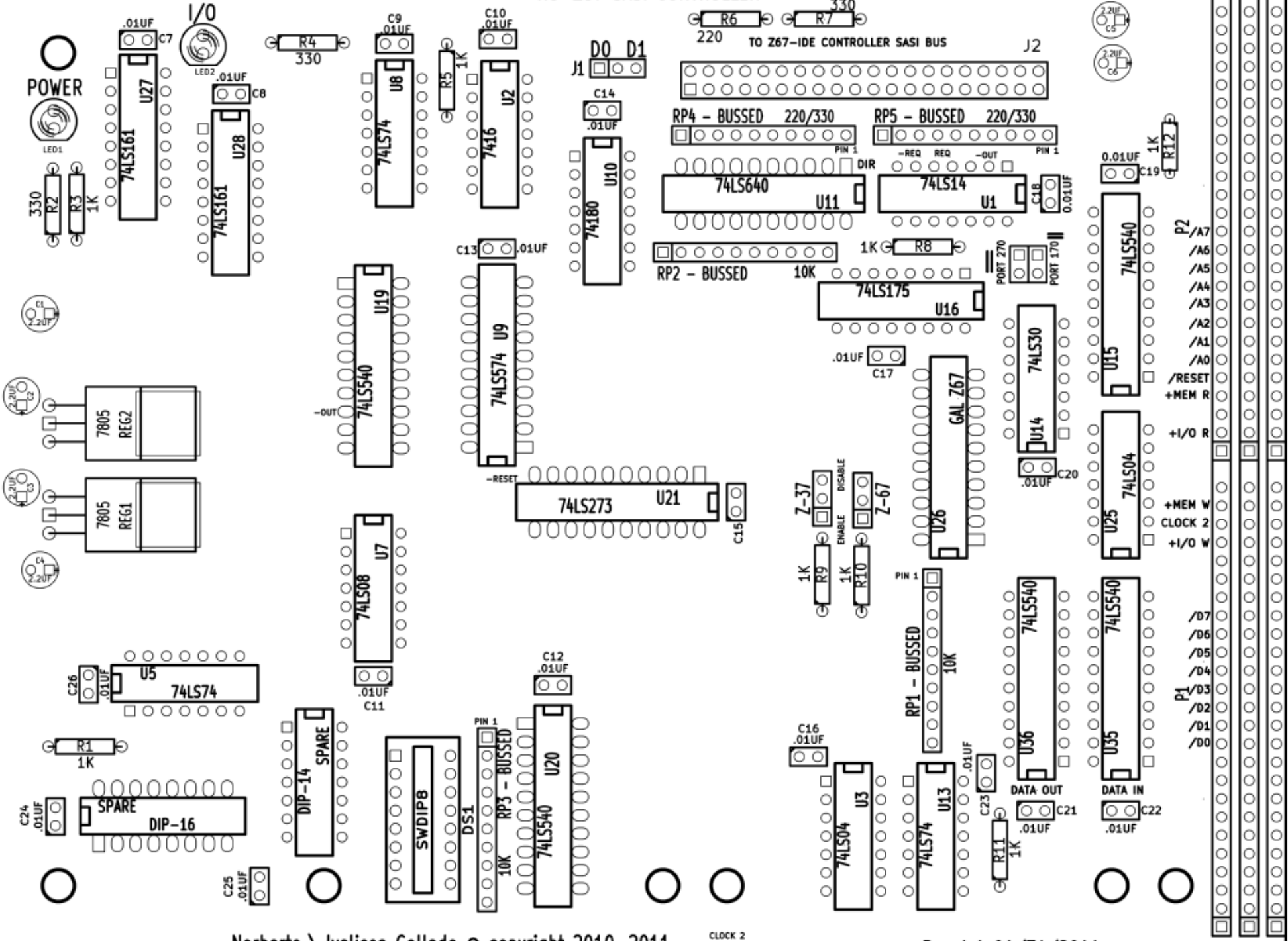
Id: 1/1

# HEATHKIT H8 BUS

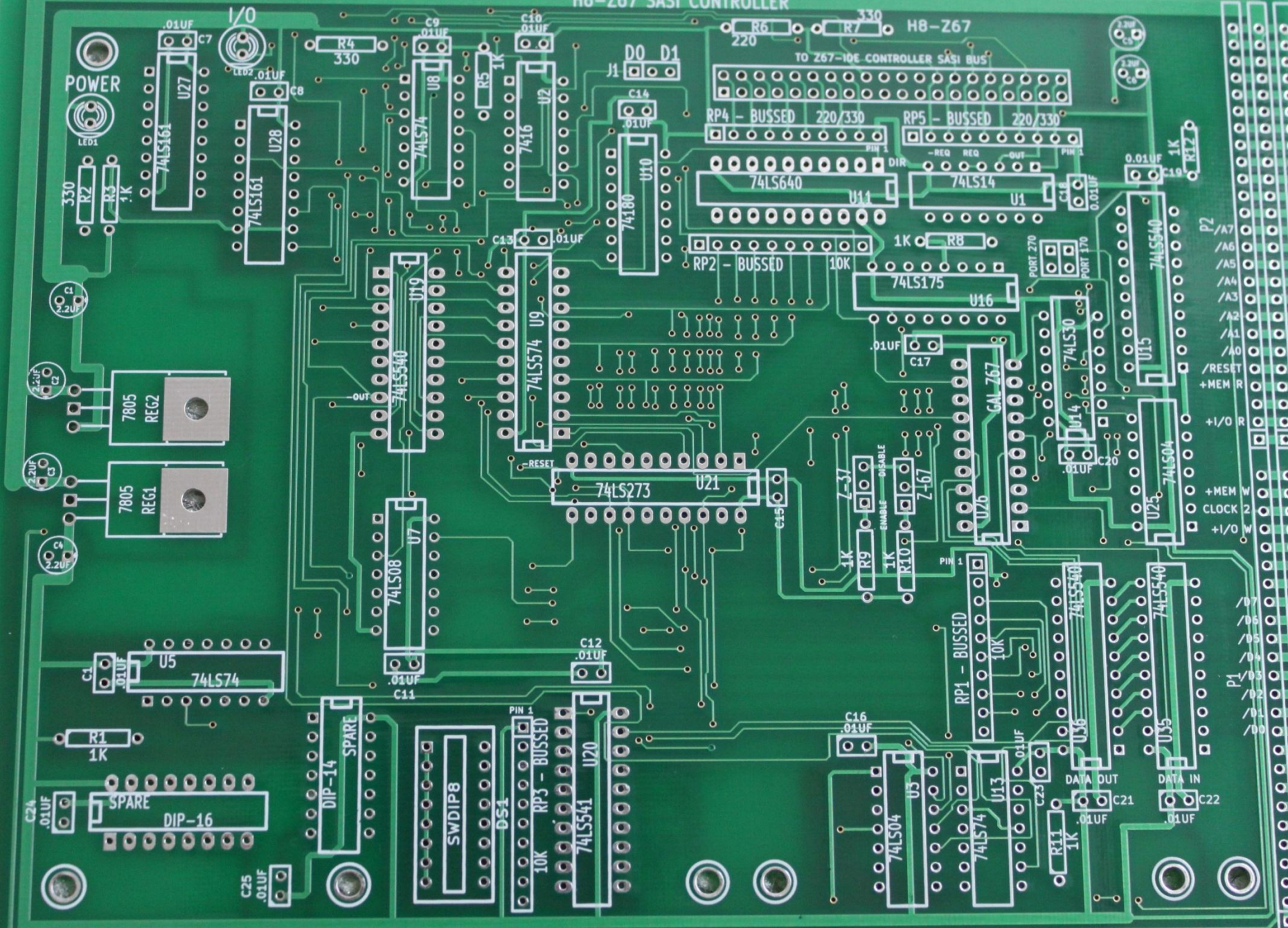


H8-Z67	
Copyright Norberto Collado © 2010	
KOYADO.COM	
File: H8-Z67 Schematics - POWER.sch	
Sheet: /	
Title: POWER /RESET.sch	
Size: A4	Date: 9 jan 2011
KiCad E.D.A.	eeschema (20100217 RC3)-RC3a
	Rev: 1.0
	Id: 1/1

# H8-Z67 SASI CONTROLLER



H8-Z67 SASI CONTROLLER



Norberto \ Ivelisse Collado © copyright 2010

CLOCK 2

Rev 1.0 12/31/2010

P2

- /A7
- /A6
- /A5
- /A4
- /A3
- /A2
- /A1
- /A0
- /RESET
- +MEM R
- +I/O R
- +MEM W
- CLOCK 2
- +I/O W

P1

- /D7
- /D6
- /D5
- /D4
- /D3
- /D2
- /D1
- /D0

H8-Z67 SASI CONTROLLER

Norberto \ Ivelisse Collado © copyright 2010

Rev 1.0 12/31/2010