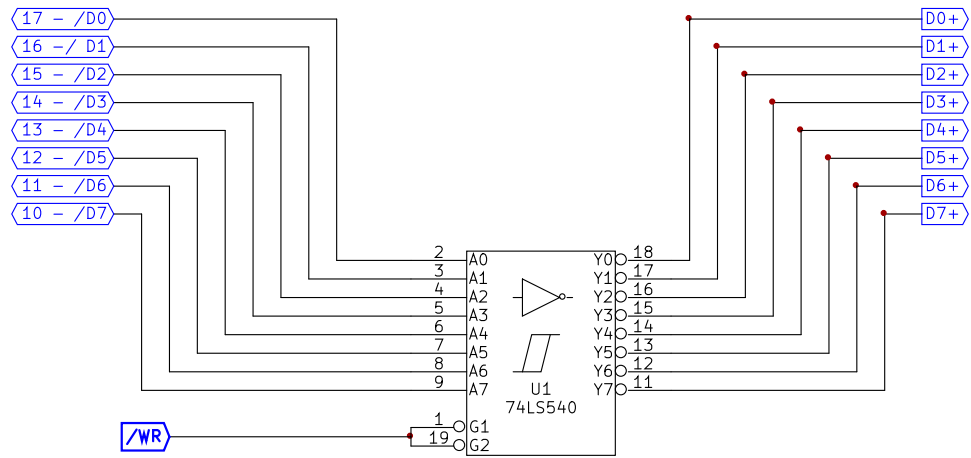
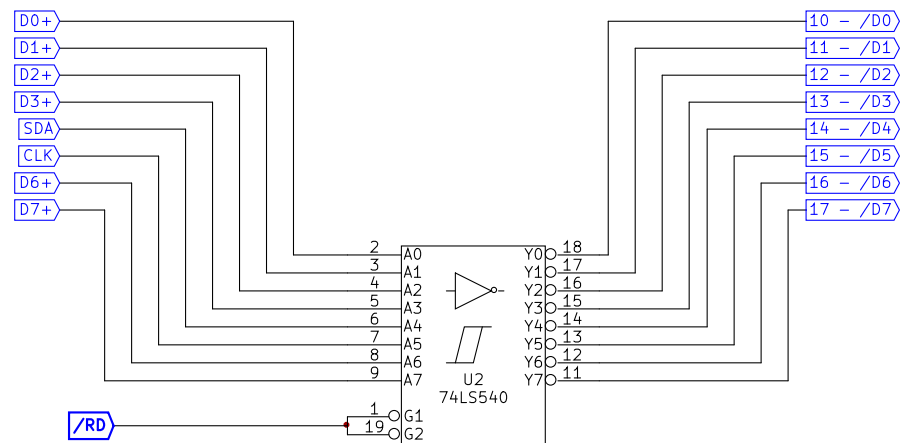


HEATHKIT H8 BUS



H8-RTC-NETWORK CONTROLLER		
Copyright Norberto Collado © 2010		
KOYADO.COM		
File: H8-RTC-NETWORK Schematics - DATAIN.sch		
Sheet: /		
Title: DATA-IN BUFFER.sch		
Size: A4	Date: 23 jun 2013	Rev: 1.0
KiCad E.D.A. eeschema (2013-05-16 BZR 4016)-stable		Id: 1/1

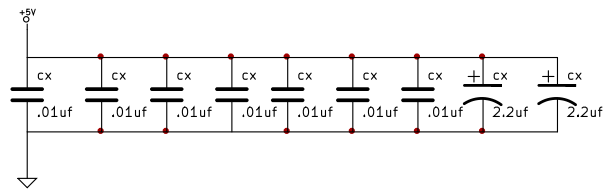
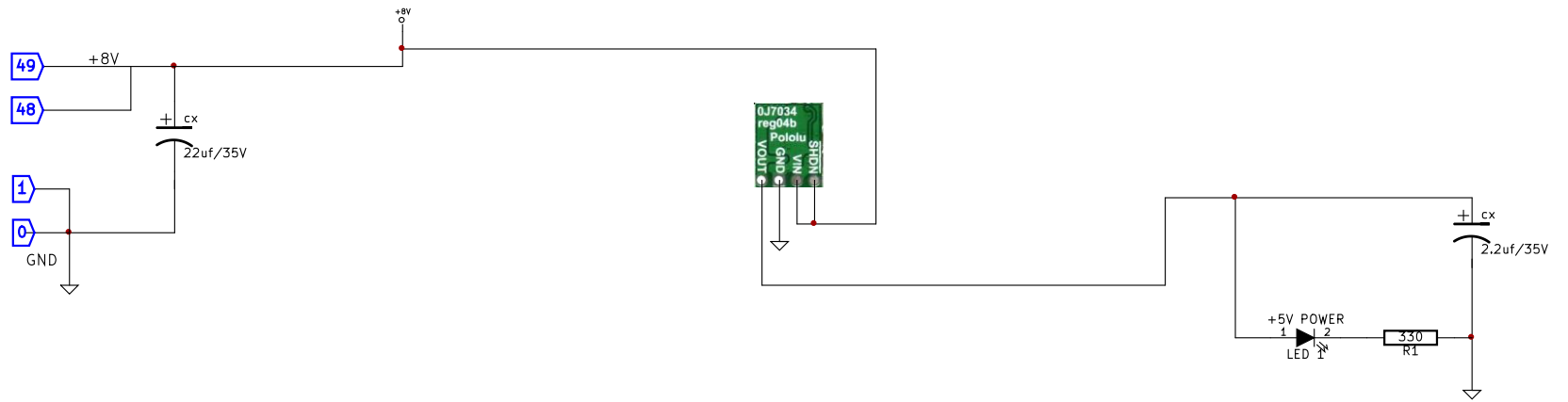


HEATHKIT H8 BUS

H8-RTC-NETWORK CONTROLLER		
Copyright Norberto Collado © 2010		
KOYADO.COM		
File: H8-RTC-NETWORK Schematics - DATA-OUT.sch		
Sheet: /		
Title: DATA-OUT BUFFER.sch		
Size: A4	Date: 23 jun 2013	Rev: 1.0
KiCad E.D.A. eeschema (2013-05-16 BZR 4016)-stable		Id: 1/1

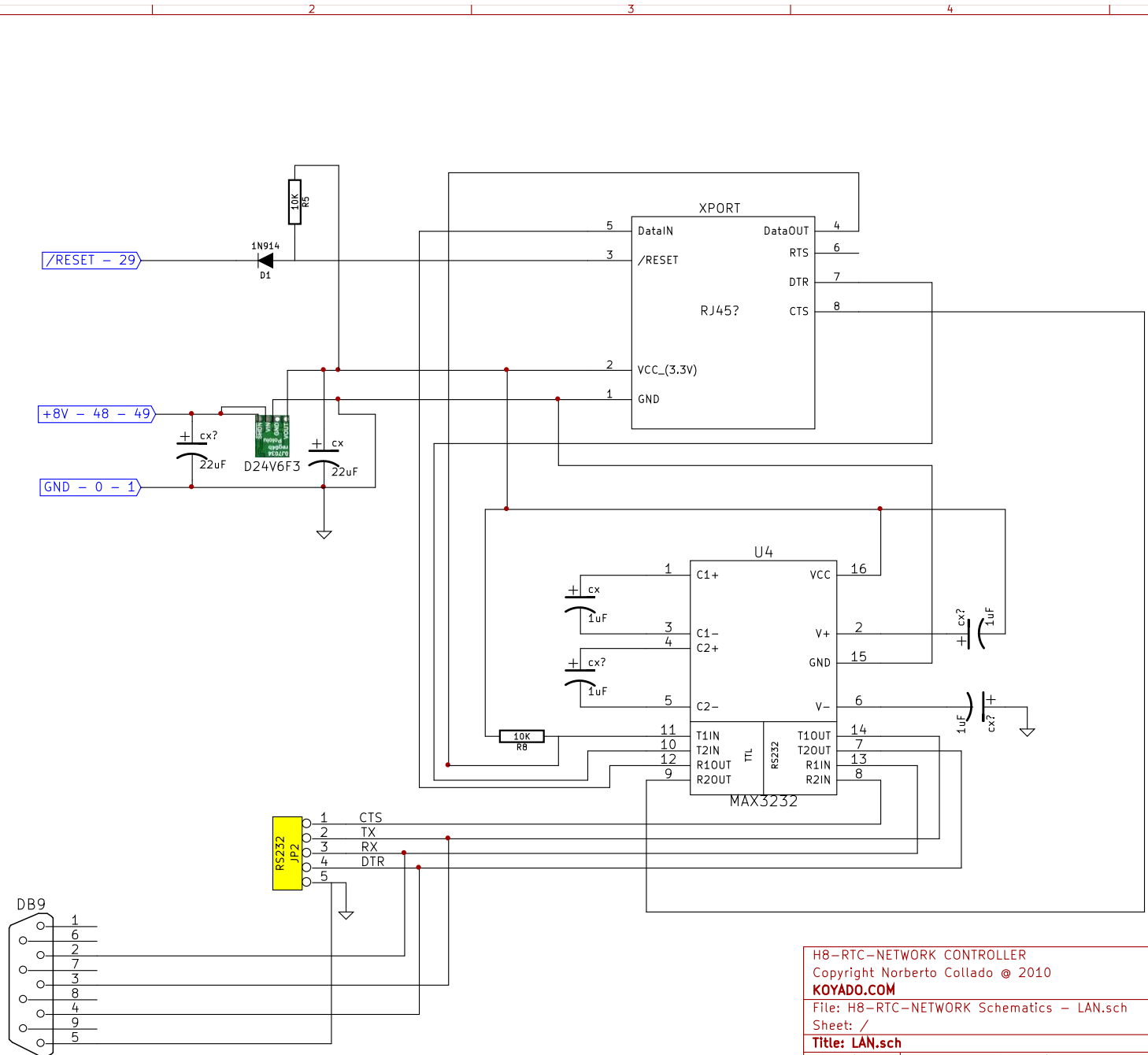
HEATHKIT H8 BUS

Pololu 5V, 600mA Step-Down Voltage Regulator D24V6F5



H8-RTC-NETWORK	
Copyright Norberto Collado © 2010	
KOYADO.COM	
File: H8-RTC-NETWORK Schematics - POWER.sch	
Sheet: /	
Title: POWER /RESET.sch	
Size: A4	Date: 23 jun 2013
KiCad E.D.A. eeschema (2013-05-16 BZR 4016)-stable	Rev: 1.0
	Id: 1/1

H8 - BUS



External connector

H8-RTC-NETWORK CONTROLLER	
Copyright Norberto Collado © 2010	
KOYADO.COM	
File: H8-RTC-NETWORK Schematics - LAN.sch	
Sheet: /	
Title: LAN.sch	
Size: A4	Date: 23 jun 2013
KiCad E.D.A. eeschema (2013-05-16 BZR 4016)-stable	Rev: 1.0
	Id: 1/1