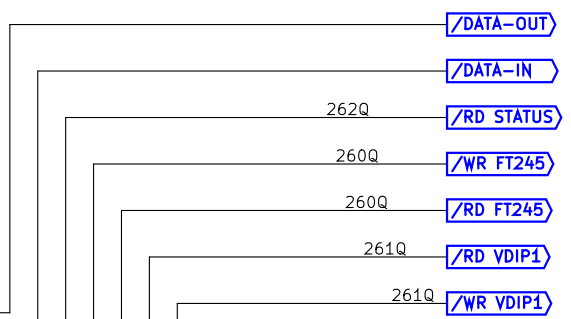
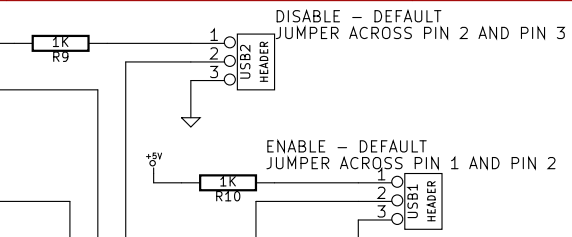
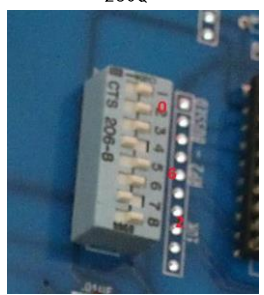
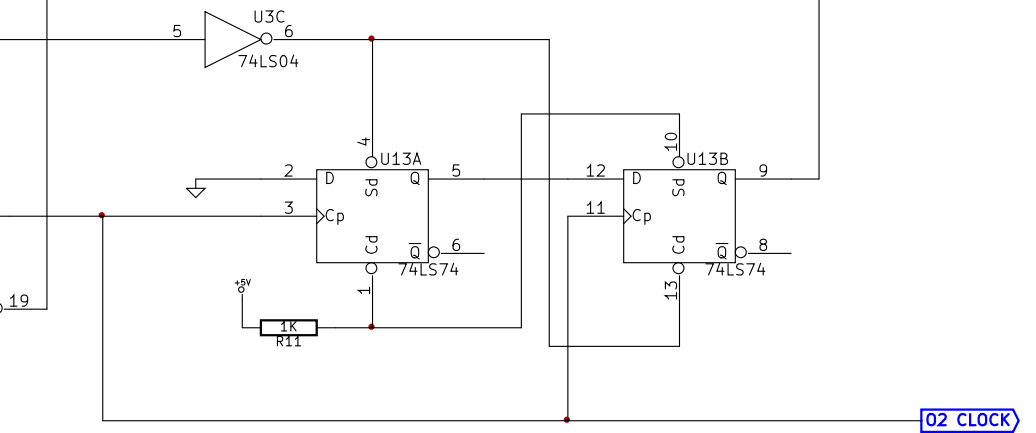
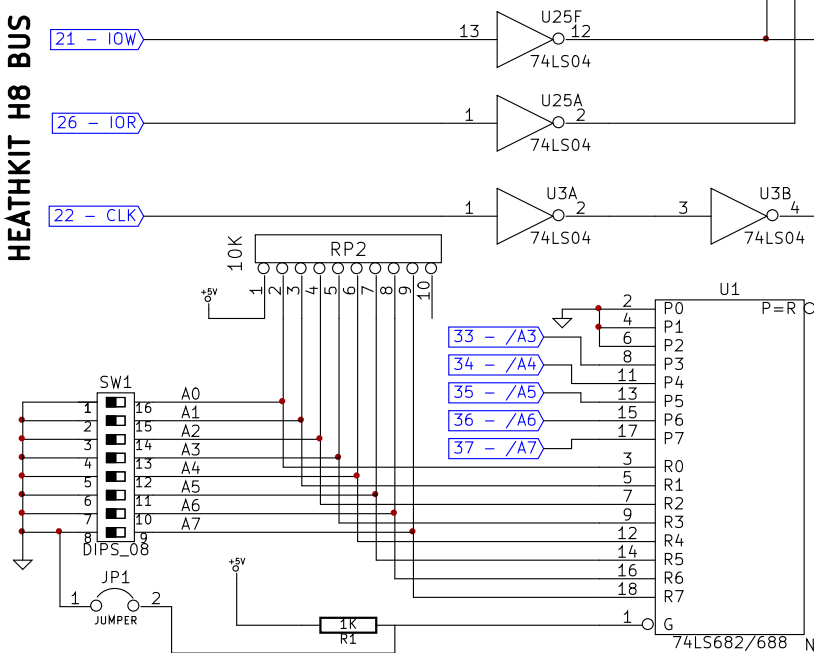


SW1 = ON = A0 = 0
 SW2 = ON = A1 = 0
 SW3 = ON = A2 = 0
 SW4 = OFF = A3 = 0
 SW5 = ON = A4 = 1
 SW6 = ON = A5 = 1
 SW7 = OFF = A6 = 0
 SW8 = ON = A7 = 1

SW8 = ON = 2
 SW6 & SW7 = ON = 6
 SW1, SW2 & SW3 = ON = 0
 ; this bits are inverted by the logic.
 The above setting is for address 260Q

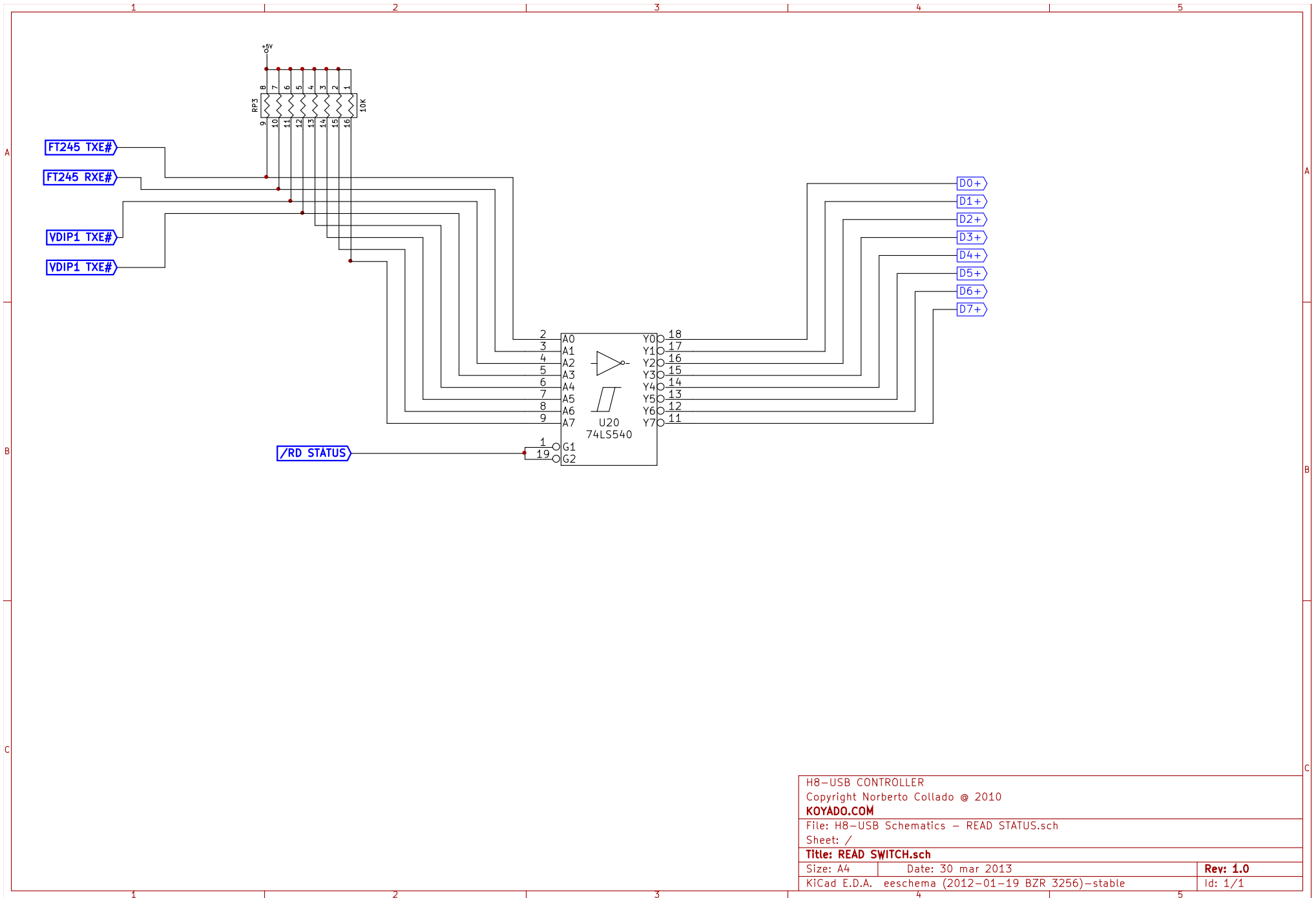


HEATHKIT H8 BUS

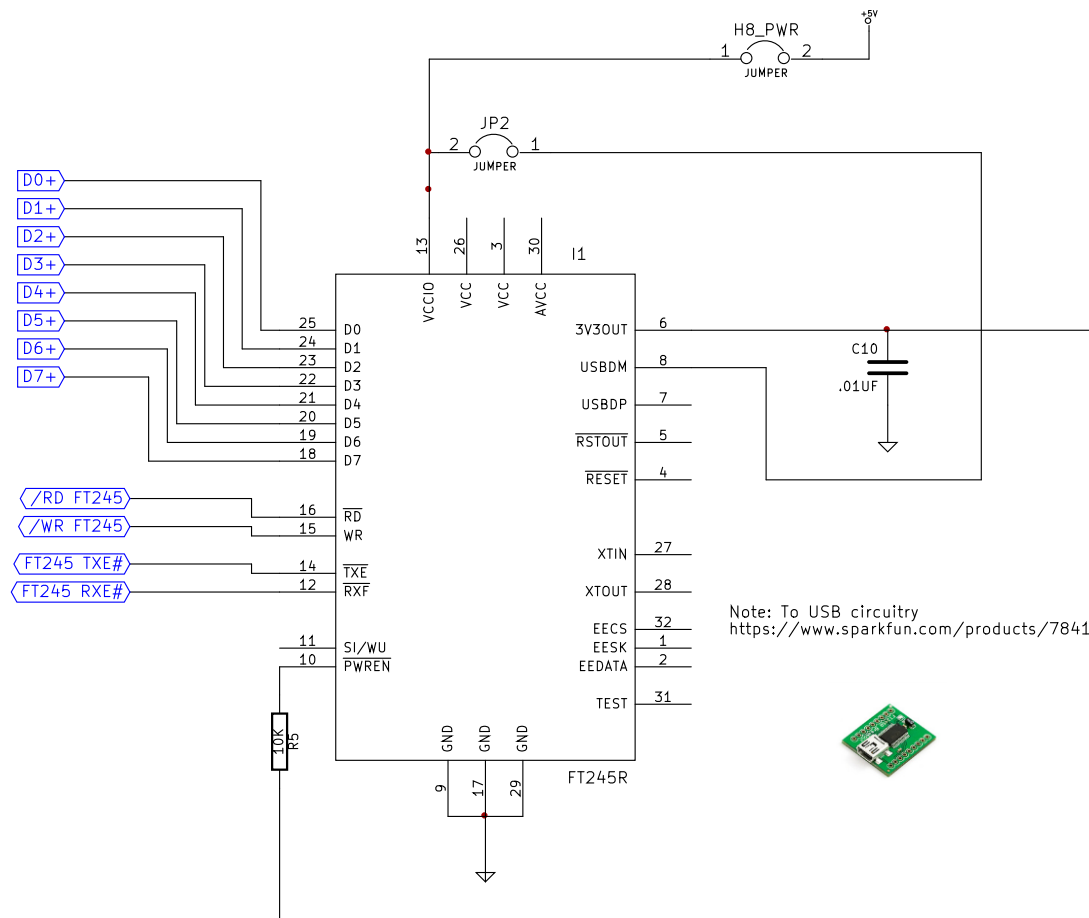


JP1 jumper ON when using the 74LS688 IC
 JP1 jumper Removed when using the 74LS682 IC.

H8-USB CONTROLLER	
Copyright Norberto Collado © 2010	
KOYADO.COM	
File: H8-USB Schematics - ADDRESS DECODER.sch	
Sheet: /	
Title: ADDRESS DECODER.sch	
Size: A4	Date: 30 mar 2013
KiCad E.D.A. eeschema (2012-01-19 BZR 3256)-stable	Rev: 1.0
	Id: 1/1



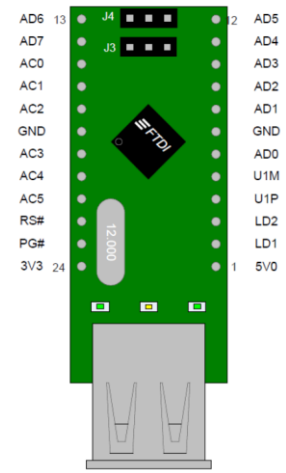
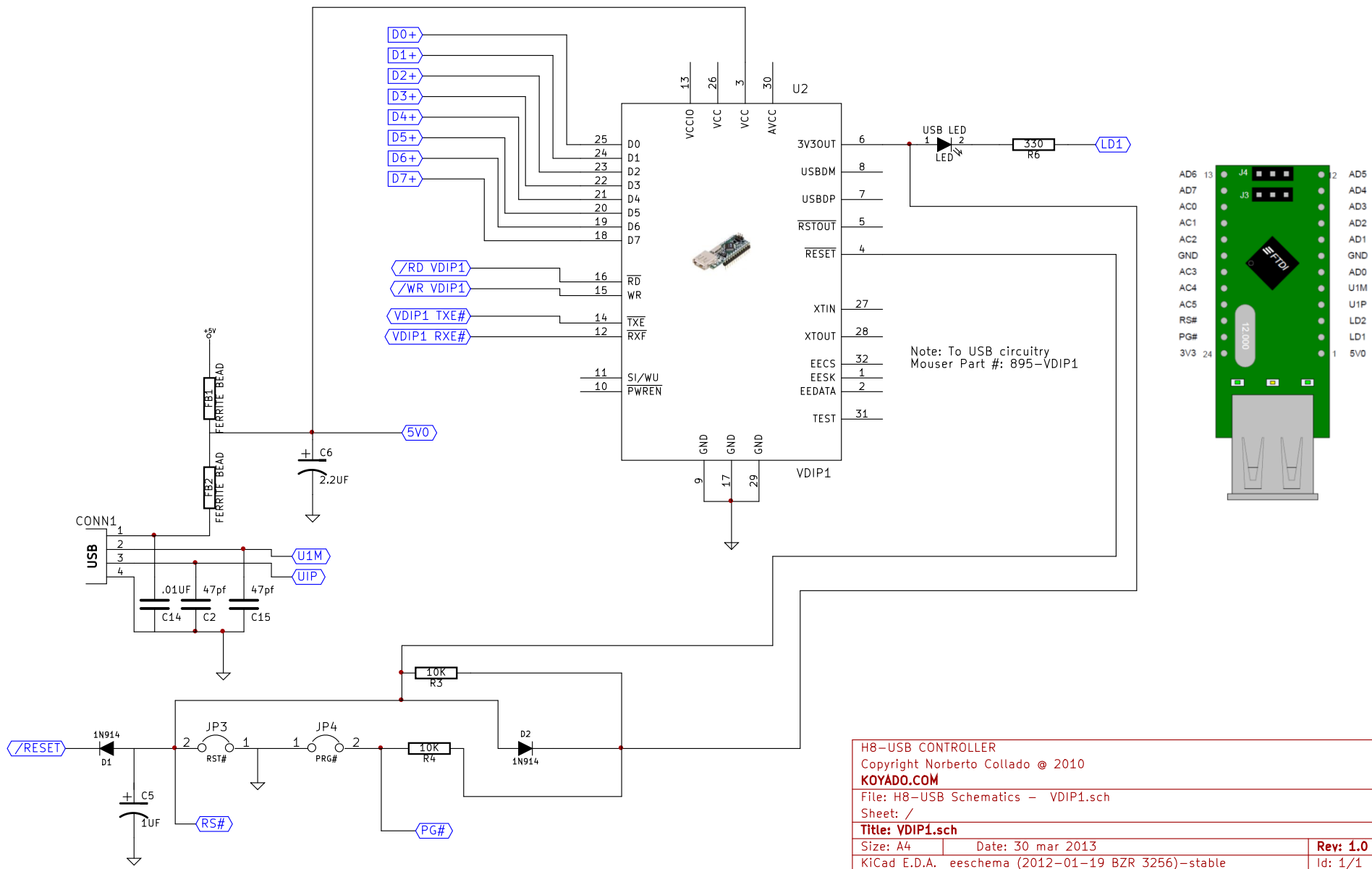
H8-USB CONTROLLER		
Copyright Norberto Collado © 2010		
KOYADO.COM		
File: H8-USB Schematics - READ STATUS.sch		
Sheet: /		
Title: READ SWITCH.sch		
Size: A4	Date: 30 mar 2013	Rev: 1.0
KiCad E.D.A. eeschema (2012-01-19 BZR 3256)-stable		Id: 1/1



Note: To USB circuitry
http://www.ebay.com/itm/FT245-USB-FIFO-Board-mini-USB-to-Parallel-FIFO-Module-with-FT245-Chip-Onboard-/260977330028?pt=LH_DefaultDomain_0&hash=item3cc376076c

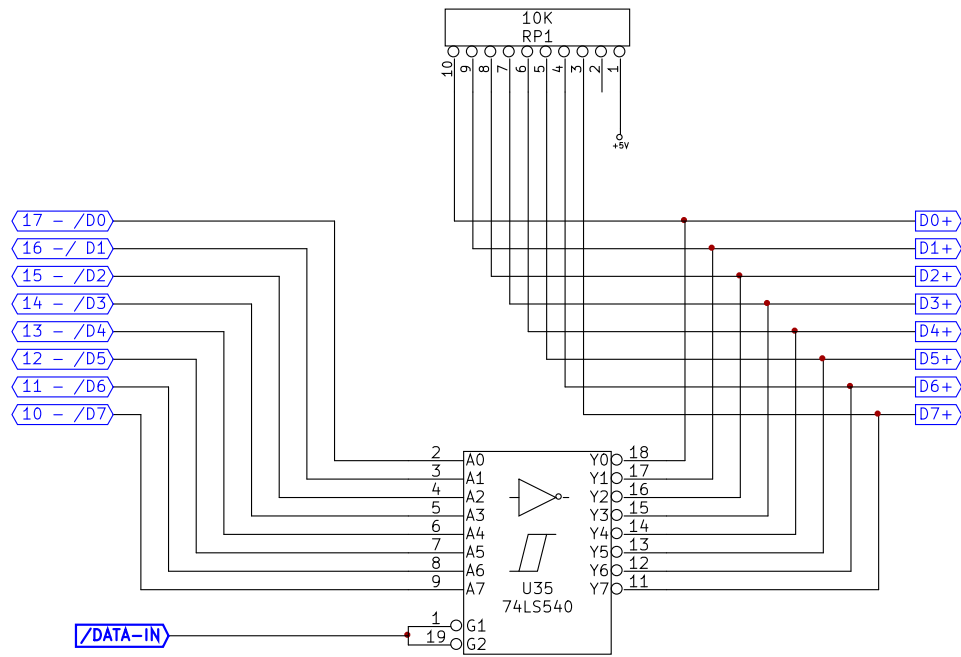


H8-USB CONTROLLER		
Copyright Norberto Collado © 2010		
KOYADO.COM		
File: H8-USB Schematics - FT245.sch		
Sheet: /		
Title: FT245.sch		
Size: A4	Date: 13 apr 2013	Rev: 1.0
KiCad E.D.A.	eeschema (2012-01-19 BZR 3256)-stable	Id: 1/1

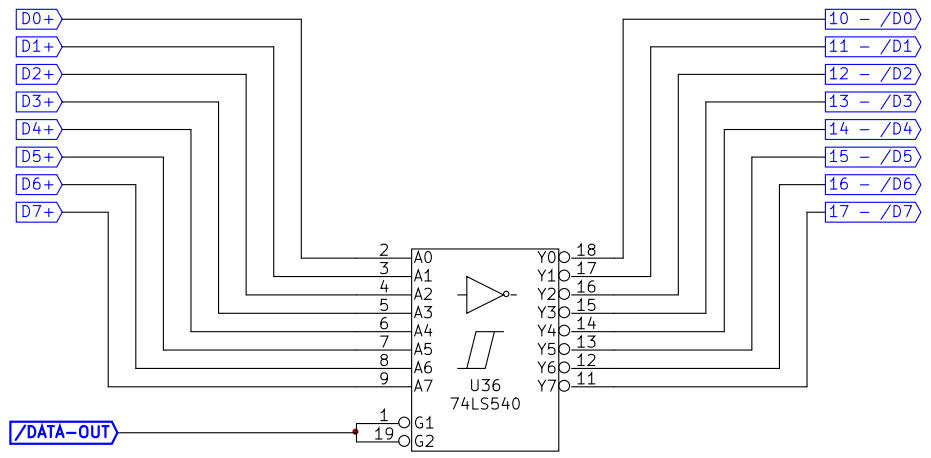


H8-USB CONTROLLER	
Copyright Norberto Collado © 2010	
KOYADO.COM	
File: H8-USB Schematics - VDIP1.sch	
Sheet: /	
Title: VDIP1.sch	
Size: A4	Date: 30 mar 2013
KiCad E.D.A. eeschema (2012-01-19 BZR 3256)-stable	Rev: 1.0
	Id: 1/1

HEATHKIT H8 BUS

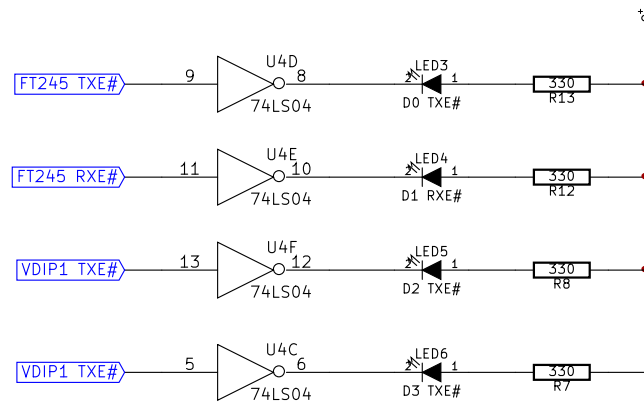


H8-USB CONTROLLER		
Copyright Norberto Collado © 2010		
KOYADO.COM		
File: H8-USB Schematics - DATAIN.sch		
Sheet: /		
Title: DATA-IN BUFFER.sch		
Size: A4	Date: 1 jan 2013	Rev: 1.0
KiCad E.D.A. eeschema (2012-01-19 BZR 3256)-stable		Id: 1/1



HEATHKIT H8 BUS

H8-USB CONTROLLER		
Copyright Norberto Collado © 2010		
KOYADO.COM		
File: H8-USB Schematics - DATA-OUT.sch		
Sheet: /		
Title: DATA-OUT BUFFER.sch		
Size: A4	Date: 6 jan 2011	Rev: 1.0
KiCad E.D.A. eeschema (2012-01-19 BZR 3256)-stable		Id: 1/1



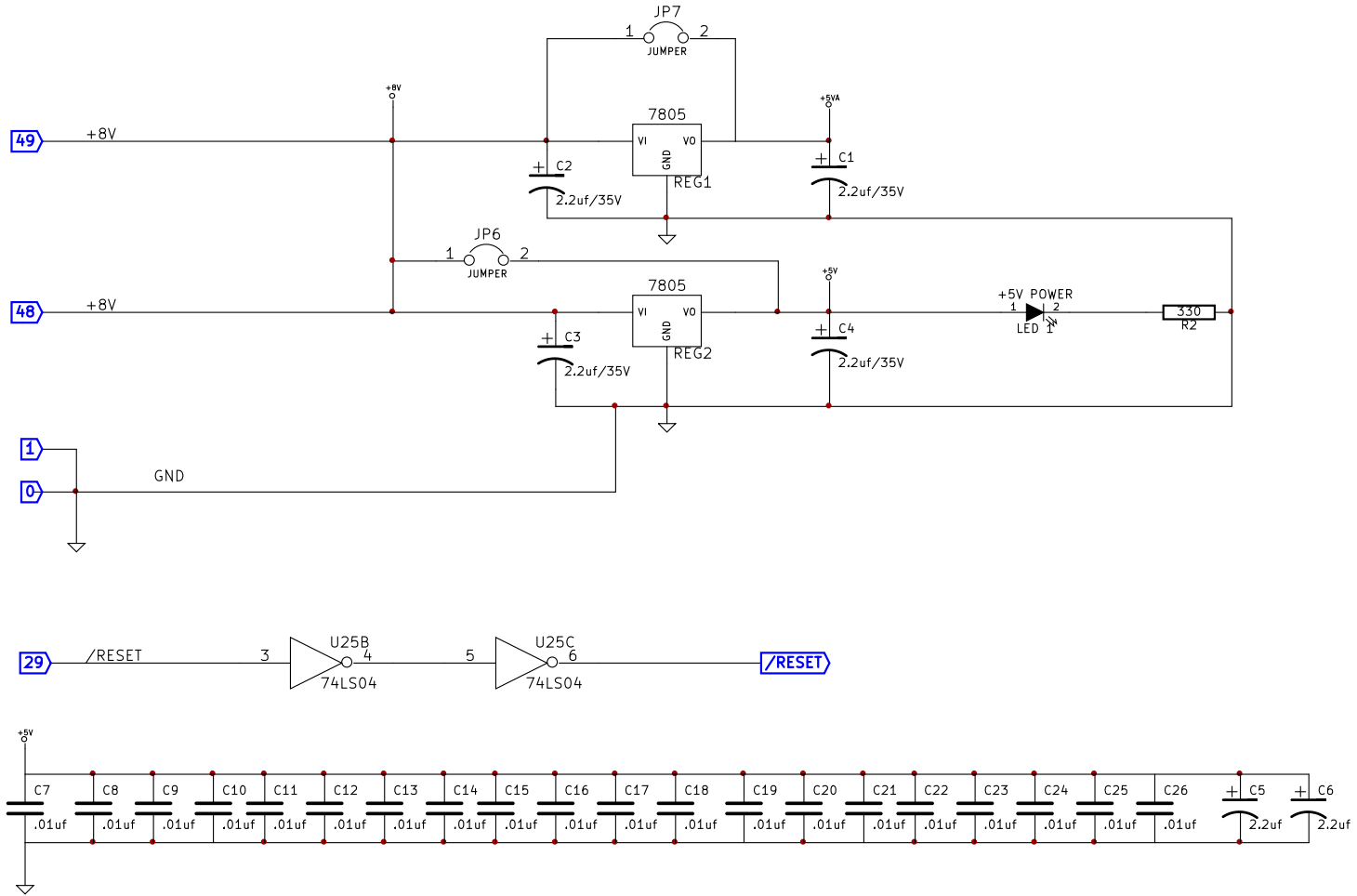
Note: LED "ON" means device is not ready to TX or RX.

This circuit is not on Rev 1.0 of the USB board. It is for Rev 1.1 of the USB board.

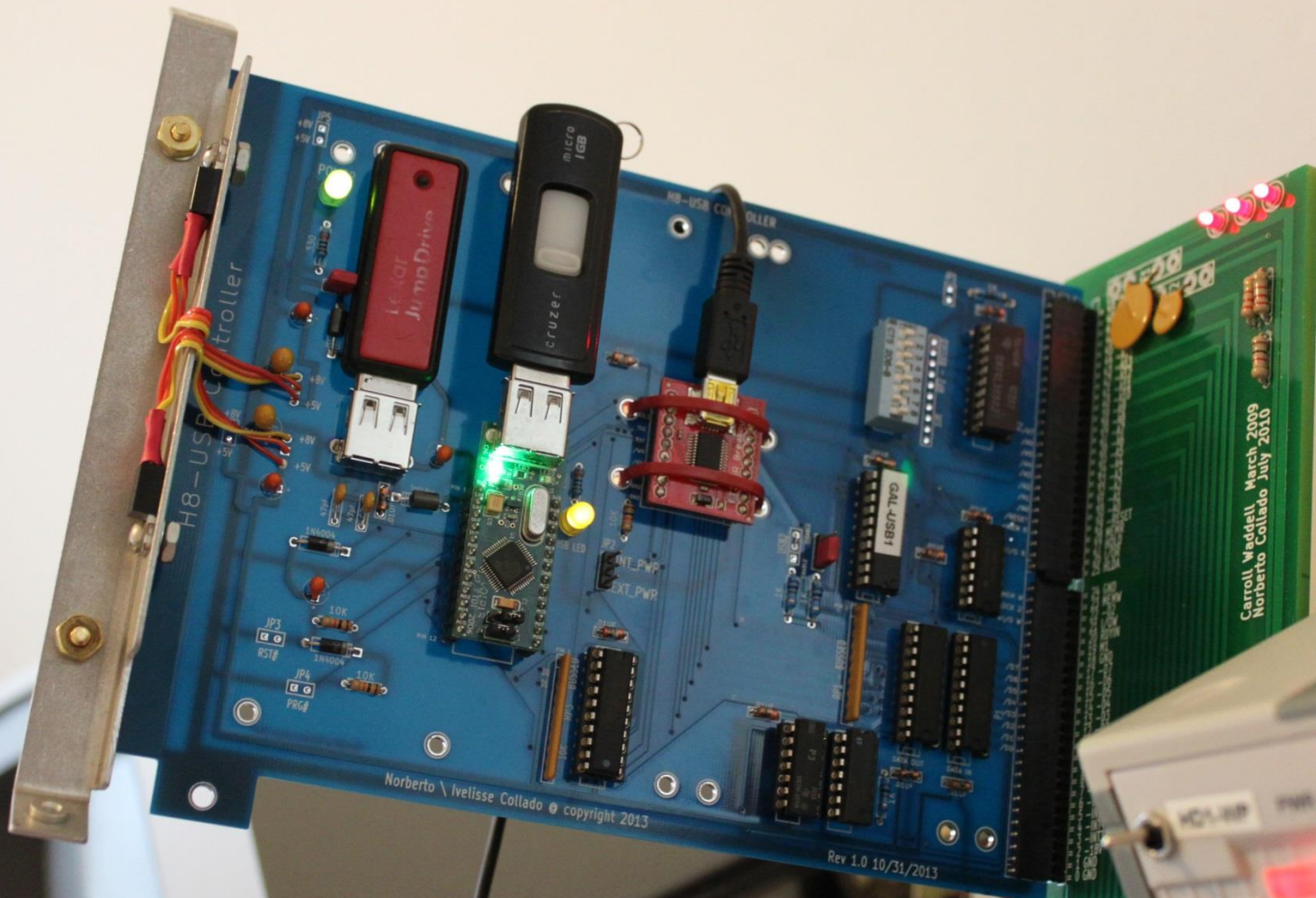
H8-USB CONTROLLER		
Copyright Norberto Collado © 2010		
KOYADO.COM		
File: H8-USB Schematics - I_0.sch		
Sheet: /		
Title: I/O.sch		
Size: A4	Date: 30 mar 2013	Rev: 1.0
KiCad E.D.A. eeschema (2012-01-19 BZR 3256)-stable		Id: 1/1

HEATHKIT H8 BUS

Warning: Use JP6 and JP7 jumpers when USB board inserted into a +5V PSU.
Otherwise the board will be damaged.



H8-USB		
Copyright Norberto Collado © 2010		
KOYADO.COM		
File: H8-USB Schematics - POWER.sch		
Sheet: /		
Title: POWER /RESET.sch		
Size: A4	Date: 30 mar 2013	Rev: 1.0
KiCad E.D.A. eeschema (2012-01-19 BZR 3256)-stable		Id: 1/1



H8-USB Controller

H8-USB CONTROLLER

