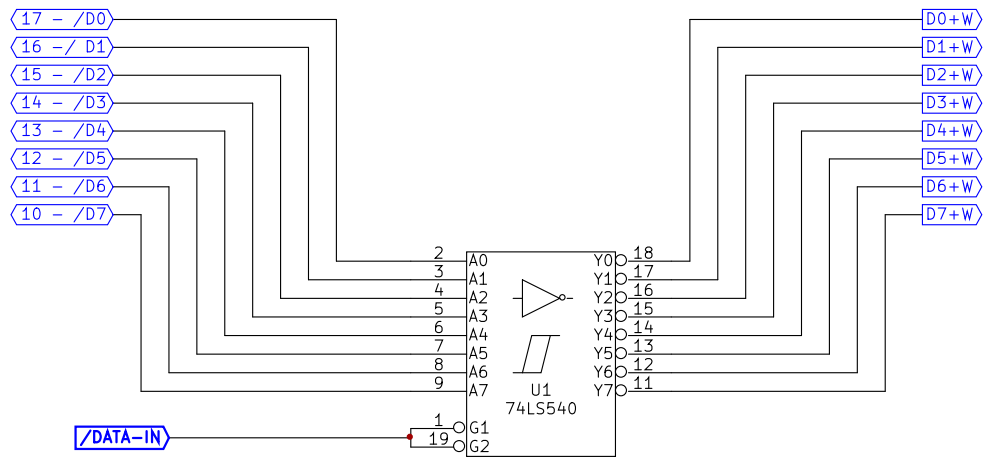


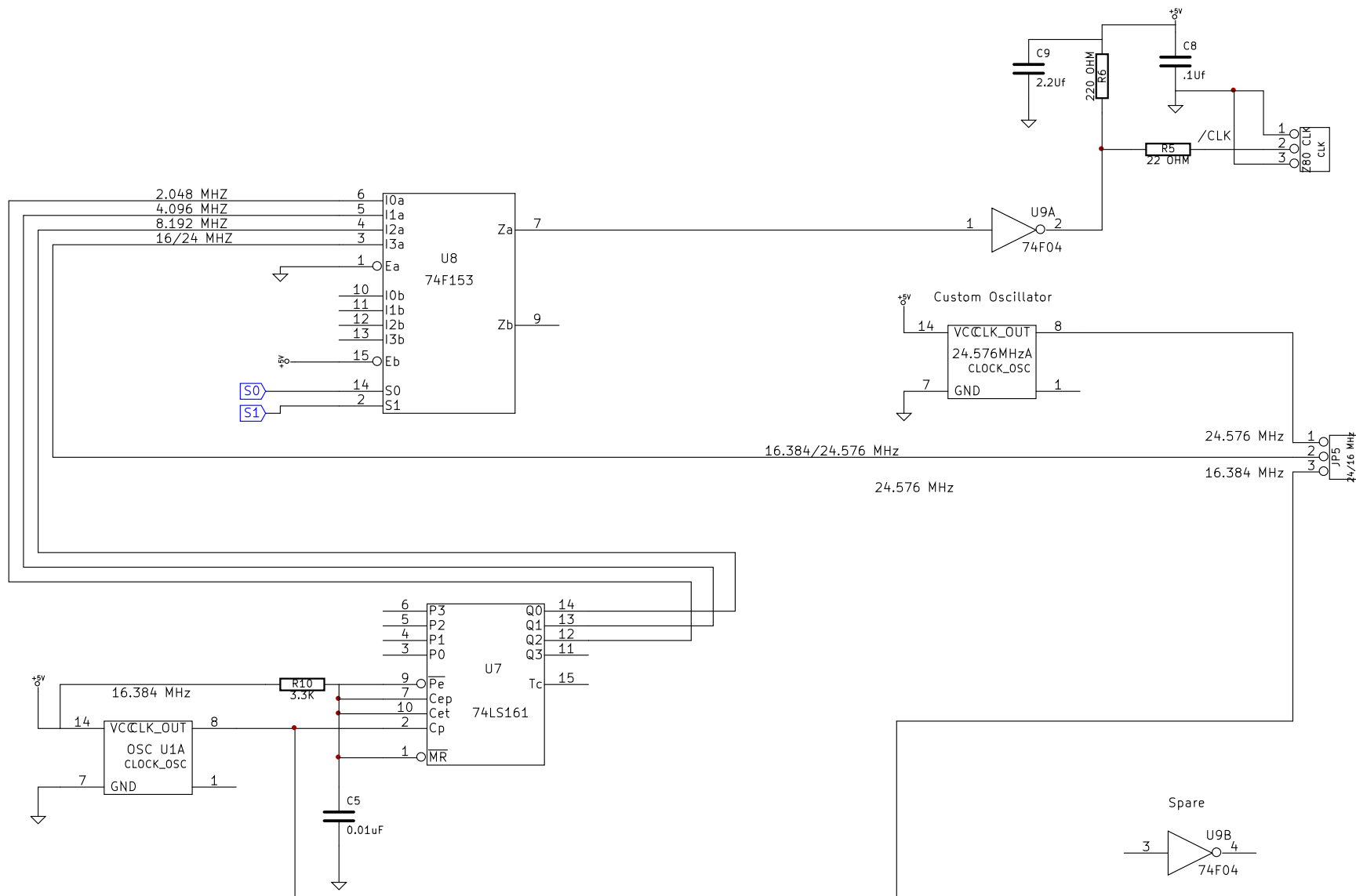
HEATHKIT H8 BUS

H8 SPEED MOD		
Copyright Norberto Collado © 2013		
KOYADO.COM		
File: H8 SPEED MOD Schematics - DATA-OUT.sch		
Sheet: /		
Title: DATA-OUT BUFFER.sch		
Size: A4	Date: 26 jan 2013	Rev: 1.0
KiCad E.D.A. eeschema (2012-01-19 BZR 3256)-stable		Id: 1/1

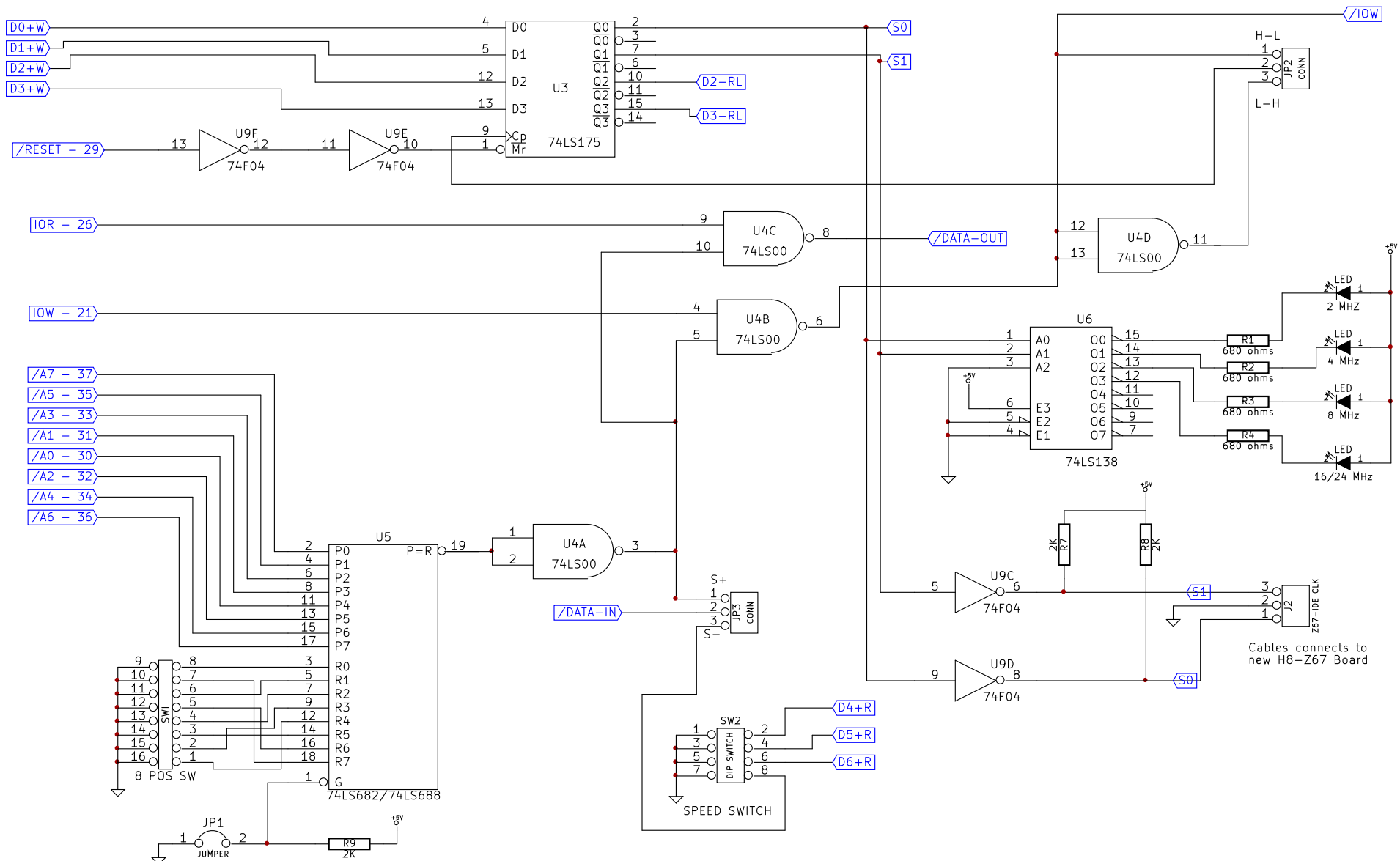
HEATHKIT H8 BUS



H8 SPEED MOD		
Copyright Norberto Collado © 2013		
KOYADO.COM		
File: H8 SPEED MOD Schematics - DATA-IN.sch		
Sheet: /		
Title: DATA-IN BUFFER.sch		
Size: A4	Date: 26 jan 2013	Rev: 1.0
KiCad E.D.A. eeschema (2012-01-19 BZR 3256)-stable		Id: 1/1

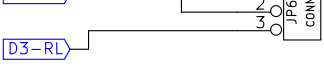
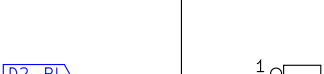
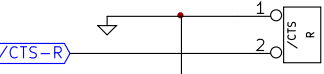
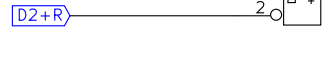
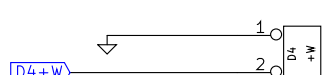
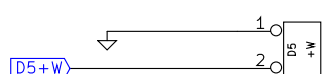
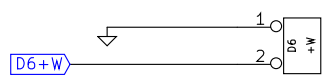
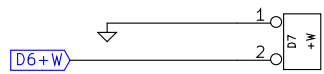


Koyado.com		
File: Z80-CLOCK_v1.sch		
Sheet: /		
Title: Z80 CPU System Clock		
Size: A4	Date: 26 jan 2013	Rev: 1.0
KiCad E.D.A. eeschema (2012-01-19 BZR 3256)-stable		Id: 1/1



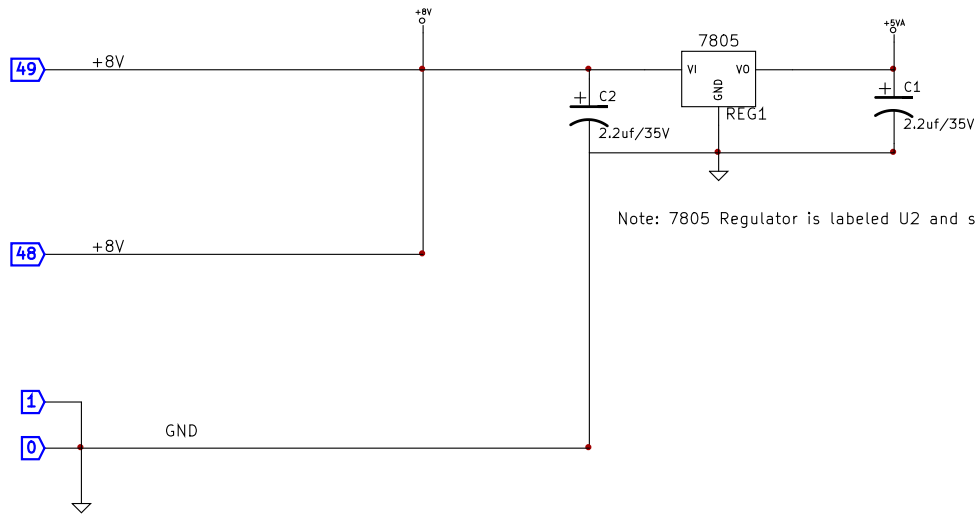
JUMPER ON FOR 74LS688
 JUMPER OFF FOR 74LS682
 Note: Do not use the 74LS688 because termination resistors are missing.

DATA BUS	
Koyado.com	
File: Z80-CLOCK-BUS.sch	
Sheet: /	
Title: Z80 CPU System Clock	
Size: A4	Date: 26 jan 2013
KiCad E.D.A. eeschema (2012-01-19 BZR 3256)-stable	Rev: 1.0
	Id: 1/1

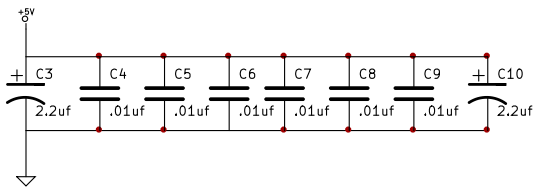


Koyado.com		
File: Z80-CLOCK_HEADERS.sch		
Sheet: /		
Title: Z80 CPU System Clock		
Size: A4	Date: 26 jan 2013	Rev: 1.0
KiCad E.D.A. eeschema (2012-01-19 BZR 3256)-stable		Id: 1/1

HEATHKIT H8 BUS



Note: 7805 Regulator is labeled U2 and should be REG1.



Z80-Speed Module		
Copyright Norberto Collado © 2011		
KOYADO.COM		
File: Z80-CLOCK_POWER.sch		
Sheet: /		
Title: POWER /RESET.sch		
Size: A4	Date: 26 jan 2013	Rev: 1.0
KiCad E.D.A. eeschema (2012-01-19 BZR 3256)-stable		Id: 1/1